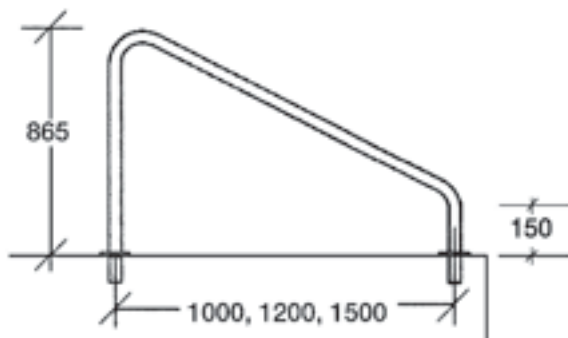


STAIR HAND RAIL - MODEL HW

Model HW Stair Hand Rail (Single)



Code	Description
PDA717	HW 1000mm (36") Standard for concreting in
PDA718	HW 1000mm (36") Flanged for Bolting on
PDA719	HW 1200mm (48") Standard for concreting in
PDA720	HW 1200mm (48") Flanged for Bolting on
PDA721	HW 1500mm (60") Standard for concreting in
PDA722	HW 1500mm (60") Flange for Bolting on

SPECIFICATIONS

Model HW Stair Hand Rail (Single)

The Pooldeck HW Wall Stair Hand Rail has been designed for the pool that has a wall next to the stairs. The hand rail is fixed to the wall.

Material: Stainless Steel 38 mmø mirror polished

Standard: The legs are 100mm longer which allows you to set the grab rails in concrete or epoxy.

Flanged: A flange allows you to fix the grab rails to the pool deck using bolts and loxins or similar (3 bolts and 3 loxins per flange).