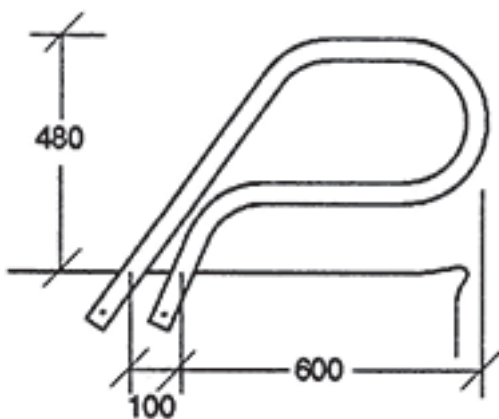


RESIDENTIAL GRAB RAILS - MODEL G2

Model G2 P Style Grab Rails (Pair)



Code	Description
PDA702	G2 Standard for Concreting in
PDA703	G2 Flanged for Bolting on

SPECIFICATIONS

Model G2 P Style Grab Rails (Pair)

The Pooldeck G2 Grab Rail is a low profile “P” style rail. Very retro, circa 1950’s. It has been designed for the swimming pool that has vertical steps in the wall. It requires a wider coping or pool deck. Available with a flange with cover plates or standard.

Material: Stainless Steel 38 mmø mirror polished

Standard: The legs are 100mm longer which allows you to set the grab rails in concrete or epoxy.

Flanged: A flange allows you to fix the grab rails to the pool deck using bolts and loxins or similar (3 bolts and 3 loxins per flange).