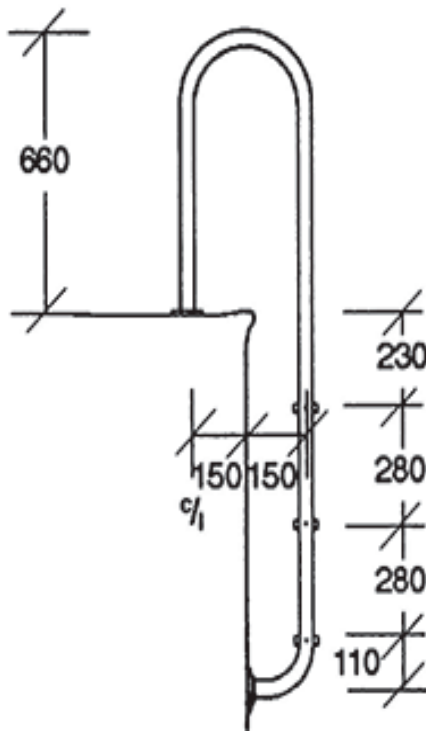


## RESIDENTIAL LADDER - MODEL LU

### Model LU Coping Mount Ladder



Code	Description
	Specially designed for Residential and Motel Pools with Narrow Surrounds
PDA729	2 Step Ladder Standard - No Mounts
PDA909	2 Step Ladder with Ladder Mounting Fixture
PDA730	2 Step Ladder with Flange Mounting Kit
PDA910	2 Step Ladder with Welded Flanges - Top Only
PDA911	2 Step Ladder with Welded Flanges - Top & Bottom
PDA731	3 Step Ladder Standard - No Mounts
PDA912	3 Step Ladder with Ladder Mounting Fixture
PDA732	3 Step Ladder with Flange Mounting Kit
PDA913	3 Step Ladder with Welded Flanges - Top Only
PDA914	3 Step Ladder with Welded Flanges - Top & Bottom
PDA733	4 Step Ladder Standard - No Mount
PDA915	4 Step Ladder with Ladder Mounting Fixture
PDA734	4 Step Ladder with Flange Mounting Kit
PDA916	4 Step Ladder with Welded Flanges - Top Only
PDA917	4 Step Ladder with Welded Flanges - Top & Bottom

## SPECIFICATIONS

### Model LU Coping Mount Ladder

The Pooldeck LU ladder is a popular domestic ladder. It's suited to pools that have a narrow coping or a narrow pool deck. e.g. Close to a fence or narrow coping. Fitted with white moulded treads reinforced with stainless steel rod with dome nuts for extra strength, 500 mm wide c/c. Available flanged with cover plates or standard.

**Material:** Stainless Steel 38 mmø mirror polished

**Standard:** The legs are 100 mm longer at the top which allows you to set the ladder in concrete or epoxy and a suction buffer is fitted to the bottom of the ladder allowing it to rest on the wall without damaging it.

**Flanged:** A flange allows you to fix the Ladder to the pool deck using a bolt and plug set or similar (3 per flange). A flange is welded at the top and a suction buffer is fitted to the bottom allowing it to rest on the wall.

**Flanged Top & Bottom:** A flange allows you to fix the ladder to the pool deck using a bolt and loxin set or similar (3 bolts and 3 loxins per flange). A flange is welded at the top and the bottom.