

FLOAT LINE ROLLER



Code	Description
27481	Width 1.2 m
20762	Width 1.8 m

SPECIFICATIONS

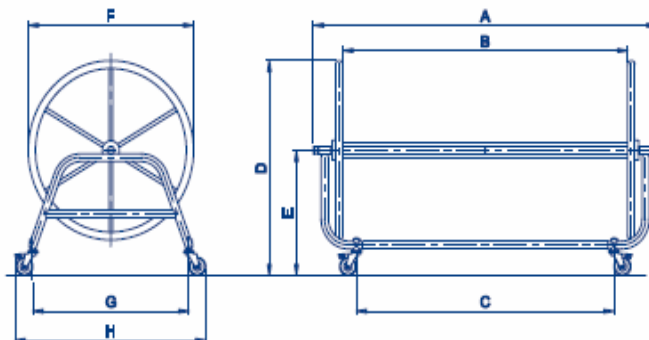
Float Line Roller

Made of Stainless Steel AISI-304. It is mounted over 4 castor wheels for maximum mobility and transport. Two of these have a brake.

	Product Code	Standard Packing	Standard Weight
Width 1.2 m	27481	1	36.8
Width 1.8 m	20762	1	46.3

CAPACITY

Model	1.2 m			1.8 m		
	25 m	33 m	50 m	25 m	33 m	50 m
ROMA	8	6	4	12	9	6
92	8	6	4	12	9	6
TOKIO	4	4	2	6	6	3
MOSCU	4	2	2	6	3	3
MONTREAL	4	4	2	6	6	3
SEUL	4	2	2	6	3	3
BARCELONA	4	4	2	6	6	3
FRANCE	4	4	2	6	6	3



MODEL	A	B	C	D	E	F	G	H
27481	1484	1135	974	1175	685	980	924	1130
20762	2036	1687	1526					