



Rainbow Pool Products

PO Box 2388, Mansfield Qld 4122

Telephone STD 61-7-3849 5385

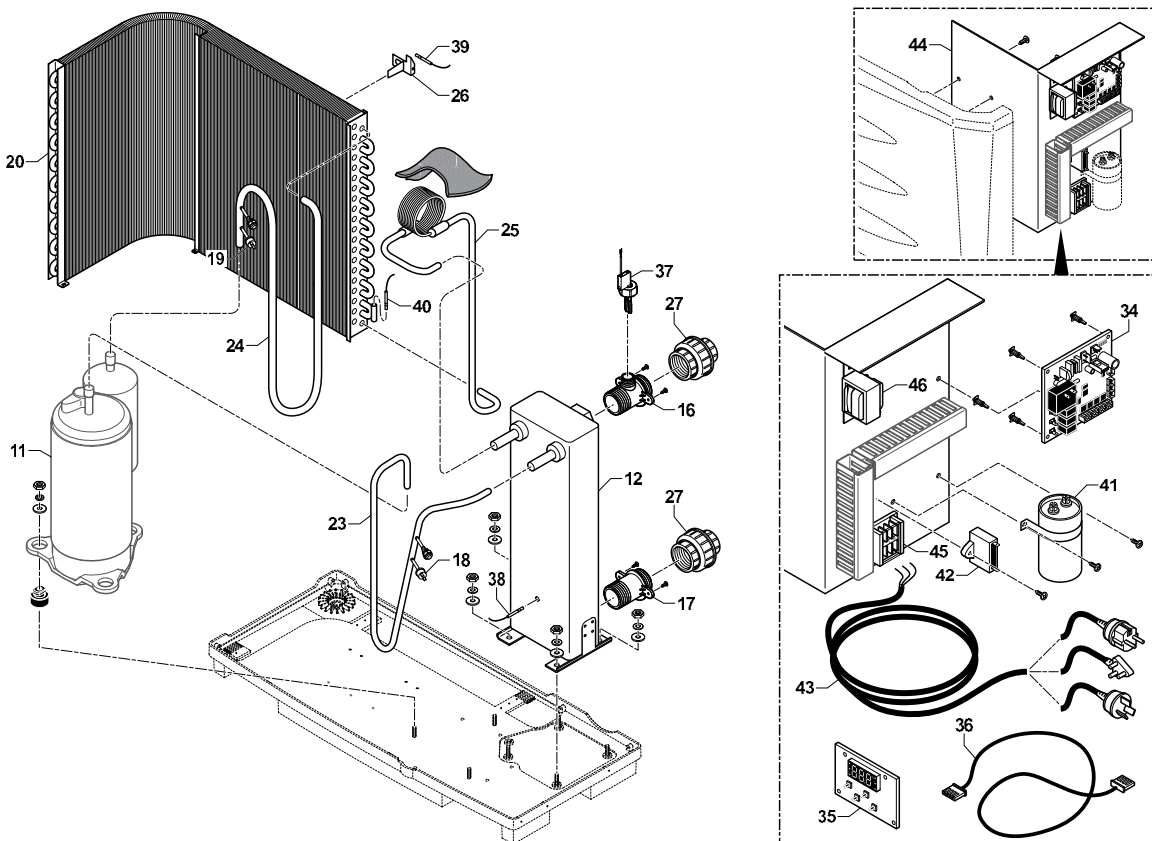
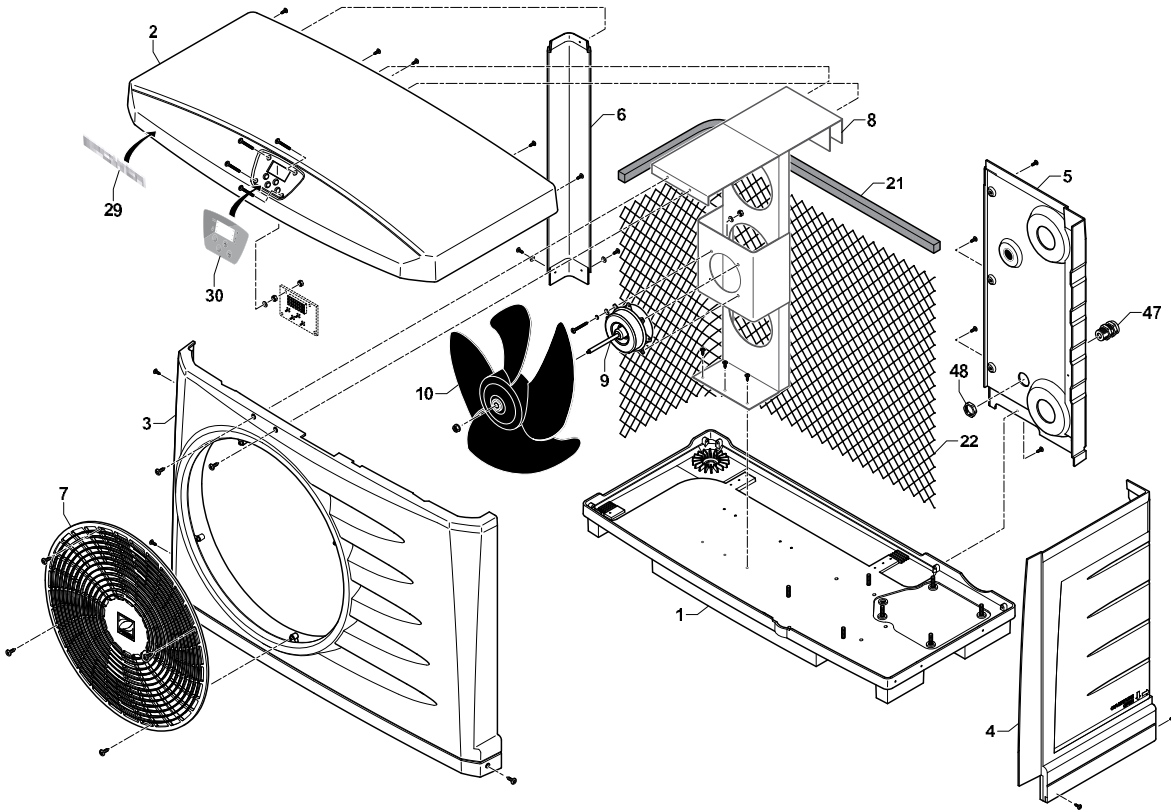
Facsimile STD 61-7-3849 5384

Email: info@rainbowpoolproducts.com.au

Web: www.rainbowpoolproducts.com.au

ZODIAC

Power 7 & 9



ZODIAC

Power 7 & 9



Complete Unit

Part No	Description	List \$ excl. GST	List \$ incl. GST
W20POWERPAC7MC	Powerpac, Single phase 7kW - Season extender only		
W20POWERPAC9MC	Powerpac, Single phase 9kW - Season extender only		

Parts

Part No	Description		
<u>Electric Spare Parts:</u>			
34	WWA01041	PCB Board	
35	WWA01042	User Interface	
36	WWA01043	Link cable (PCB - User interface)	
34	WWA01069	ZPOWER adjusting plate, Easy Connect version	
35	WWA01070	ZPOWER (GUI) display, Easy Connect version	
38	WWA01045	Water Temperature sensor	
39	WWA01046	Air Temperature sensor	
40	WWA01047	Defrost Temperature sensor	
37	WWA01044	Water flow switch	
9	WWA01009	Motor Fan	
9	WWA01066	Fan motor 11 KW	
41	WWA01049	Compressor condensator 7kW 40 µF	
41	WWA01050	Compressor condensator 9kW 50 µF	
42	WWA01051	Fan condensator 2 µF	
42	WWA01071	Condensator Fan 11 KW 4µF	
44	WWA01052	Electrical plate complete (without compressor condensor)	
43	WWA01056	Electric cable	
<u>Refrigerating Spare Parts</u>			
11	WWA01012	Compressor 7kW	
11	WWA01013	Compressor 9 kW	
20	WWA01024	Evaporator 7kW (with distributor & collector)	
20	WWA01025	Evaporator 9kW (with distributor & collector)	
12	WWA01073	Condensator 7 KW	
12	WWA01074	Condensator 9 KW	
18	WWA01021	Pressure switch HP	
19	WWA01022	Pressure switch LP	
<u>Other</u>			
	WWA01080	Compressor cover 9 and 11kW	
30	WWA01040	Lexan	
13	WWA01083	Water connection	
16	WWA01019	Water connection with pipe	
17	WWA01020	Water connection without pipe	
26	WWA01037	Air temperature sensor support	
10	WWA01010	Fan	
29	WWA01039	Sticker Power	
<u>Sheet Metal</u>			
1	WWA01001	Base	
2	WWA01002	Cover	
3	WWA01003	Front panel	
4	WWA01004	Technical Door	
5	WWA01005	Rear panel	
6	WWA01006	Angle	
7	WWA01087	Grid	
8	WWA01008	Fan Support	
22	WWA01027	Evaporator protection	
21	WWA01026	Angle bracket for evaporator	