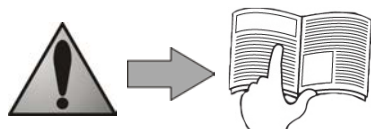




Instructions for installation and use
English

EN



- Read this manual carefully before installing, maintaining or repairing this device!
- The symbol  indicates important information that must be taken into account in order to avoid risk of personal injury and/or damage to the appliance.
- The symbol  indicates useful information.



Warnings



- Our products may be subject to change without notice as part of our continuous improvement policy.
- Exclusive use: pool water heating (must not be used for any other purpose).
- The device must be installed by a qualified technician according to the manufacturer's instructions and in compliance with local regulations. The installer is responsible for the correct installation of the device and for ensuring compliance with local regulations. The manufacturer shall not be held liable for any potential issues that may occur as a result of failure to comply with local standards pertaining to installation.
- This appliance must be handled by competent and qualified personnel (physically and mentally) who are familiar with the operating instructions (by reading the user guide). Persons who do not satisfy these requirements must not handle the device so as to avoid exposure to potentially dangerous parts.
- If the device malfunctions: do not attempt to repair the device yourself, call your installer.
- Before carrying out any operation on the machine, check that the power supply is cut and that the machine is tagged out, and that the "heating priority" function is de-activated.
- Before reconnecting any component, check that the voltage indicated on the device corresponds to the mains voltage.
- If any safety device is removed or shunted, the warranty will automatically be void. This will also apply if parts are replaced with parts acquired elsewhere than our stores.
- Do not vent R410A fluid into the atmosphere: R410A is a fluorinated greenhouse gas, covered by the Kyoto Protocol, with a Global Warming Potential (GWP) = 1975 - (see regulation on fluorinated greenhouse gases, European Community Directive EC 842/2006).
- Incorrect installation may cause serious damage and/or personal injuries (possibly death).
- Keep the device out of the reach of children.

Summary

1. Information before installation	2
1.1 General terms of delivery, storage and transport	2
1.2 Content	2
1.3 Operating conditions	3
1.4 Technical specifications	3
2. Installation	3
2.1 Access to the technical compartment	3
2.2 Selecting an installation site	3
2.3 Installing the device	3
2.4 Hydraulic connections.....	4
2.5 Electrical connections	4
3. Use	6
3.1 The control panel	6
3.2 Starting the device	7
3.3 Checks to perform after start-up	8
3.4 Winter storage	8
4. Maintenance	8
4.1 Maintenance instructions	8
4.2 Additional recommendations	8
4.3 Available accessories	9
4.4 Recycling	9
5. Resolution of problem	9
5.1 Control panel messages	9
5.2 Malfunctions of the device	11
5.3 FAQ.....	11
6. Product registration	12
7. Conformity certificate	12

Available in appendix at the end of the manual:



- wiring diagrams
- dimensions
- description

1. Information before installation


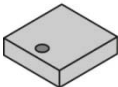

1.1 General terms of delivery, storage and transport

Any equipment, even carriage and packing free, travels at the consignee's risk. The consignee shall make reservations in writing on the carrier's bill of lading if damage is detected, caused during transport (confirmation to be sent to the carrier within 48 hours by registered mail with acknowledgement of receipt).

The device must be transported and stored upright on its pallet in its original packaging.

If the device has been turned on its side, mention your reservations in writing to the carrier.


1.2 Content

		
X1	X4	X2
in a bag in the technical compartment, see § 2 .1		

1.3 Operating conditions

Operating range:

- air temperature of between -12 °C and 38 °C,
- water temperature of between 10 °C and 32 °C ,

 Maximum temperature of 32°C to protect the pool liner.
The heat pump can de-ice by forced ventilation or a reverse cycle.
Fan speed will vary depending on ambient conditions.

1.4 Technical specifications

Power Force	Voltage	Power input*	Power output*	Nominal current input*	COP*
		kW	kW	A	
25	400V-50Hz	5.7	25.5	10.6	4.5
35	400V-50Hz	7.9	35	12.9	4.5

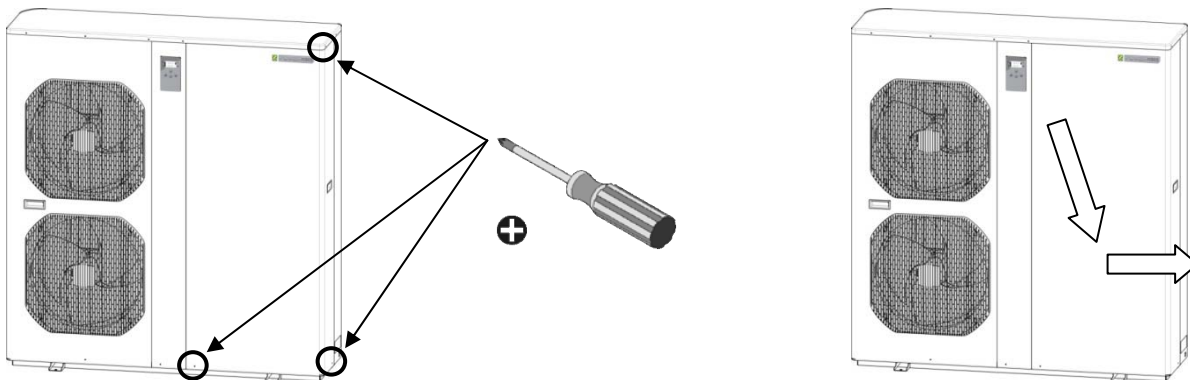
* with ambient air at +15 °C, pool water at 26 °C, and relative humidity of 70% (according to French standard NF-414)

- protection class: **IP 24**
- refrigerant gas: **R410A**
- refrigerant charge: see product information plate


2. Installation

 Do not pick up the device using the outer casing, use the base.

2.1 Access to the technical compartment




2.2 Selecting an installation site

 The device must be installed outdoors and there must be adequate open space surrounding it (see §2.4).

- **the heat pump must be installed** at a minimum distance from the end of the pool so as to avoid exposure to water splashes. The appropriate distance should be defined with reference to the national electrical standards that apply in the country of installation.
- **the heat pump must not be installed:**
 - near a source of heat or inflammable gas,
 - near a road with the risk of water and mud splashes,
 - facing a strong wind,
 - with the vent facing toward a permanent or temporary obstacle (window, wall, hedge, etc...), it must be at least 4meters from such.

2.3 Installing the device

- **install the 4 stabilizing brick** (supplied, see §1.2) under the 4 bases,
- **place on a stable, solid** (concrete slab type) and **level surface**,
- protect from risks of flooding due to condensation produced by the device during operation (see §2.4)

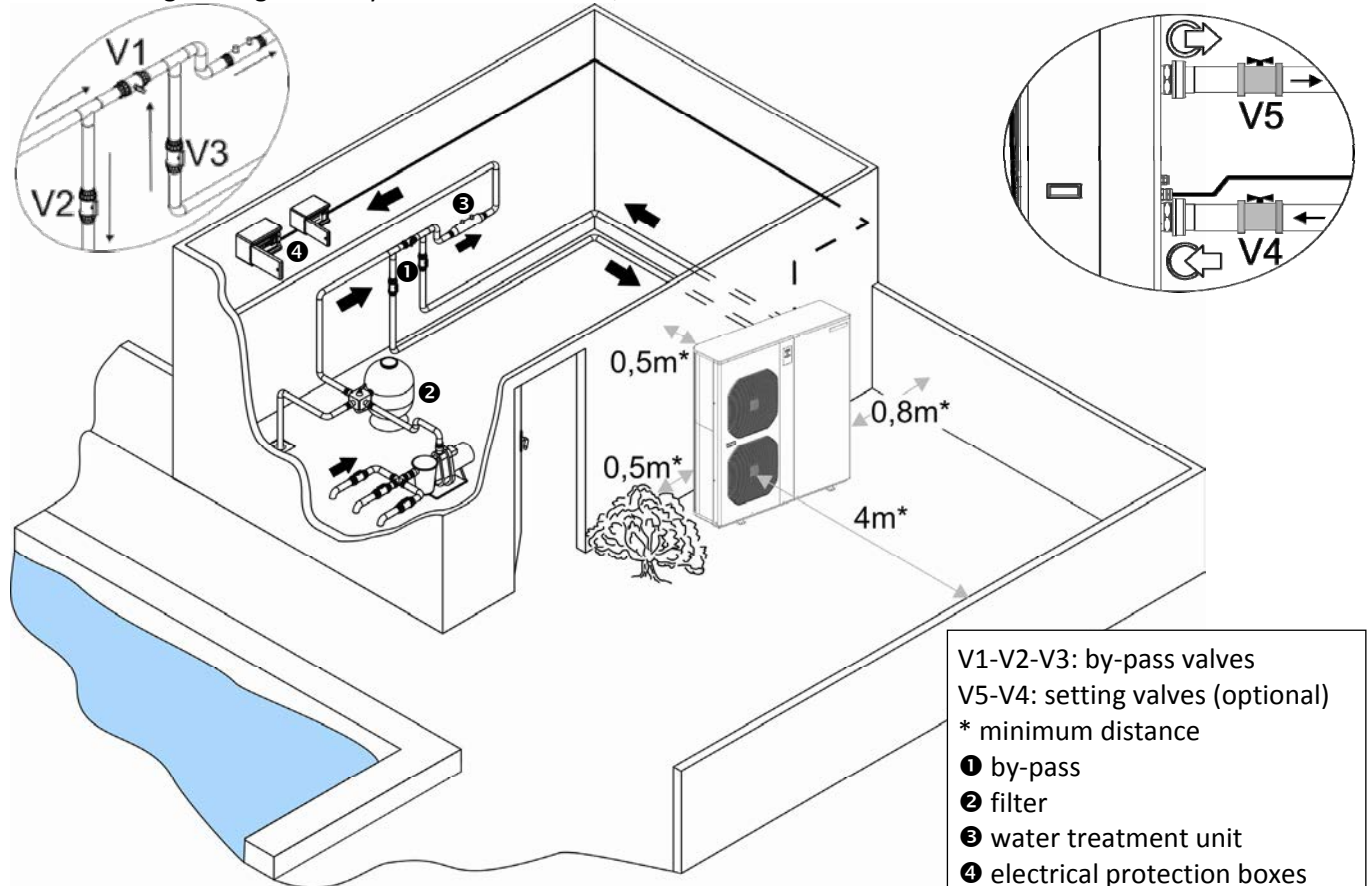
 The heat pump can be fixed to the ground using the brackets at the base of the unit (attachments not included).

2.4 Hydraulic connections



Check the direction of the pipework connection (see § “Dimensions” in the appendix).

- The connection shall comprise a \varnothing 63 PVC rigid pipe, from a by-pass, on the swimming pool filtration circuit, after the filter ② and before any water treatment unit ③.
- check the tightening of the hydraulic connections, and for leaks.



Power Force	Hydraulic circuit pressure		Connections = inlet = outlet \varnothing 63	Mean water flowrate m ³ /h	Head loss test mCE
	test	service			
	bar	bar			
25-35	3	1,5		10	1,3



Elimination of condensation:

Warning: your device can produce several litres of water per day. You are strongly recommended to guide the flow to drains.

2.5 Electrical connections

2.5.1 Voltage and protection


- the electrical supply to the heat pump must pass via a protection and disconnection device (not supplied) complying with the standards and regulations in force in the country,
- additional protection may be required during installation to guarantee overvoltage category II,
- the device is designed for connection to a general power grid with TT and TN.S grounding systems,
- electrical protection: circuit-breaker (curve D) or fuse (Am) (see § 2.5.3 for ratings), and with a 30 mA differential trip switch at the head of the supply line (circuit-breaker or switch).

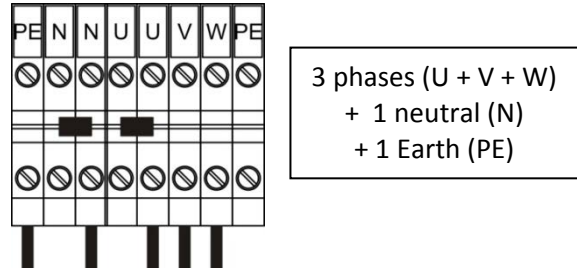


- electrical conduits must be secured,
- tolerance for voltage variation: \pm 6% (during operation),
- use cable suitable for outdoor use, type RO2V or equivalent in countries outside of the European community, and with an outer diameter between 9 and 18 mm,
- use the stuffing box to run the supply cable into the device.

2.5.2 Connections

- the electrical supply cable must not be exposed to elements that are sharp, hot or represent a crush hazard,
- check that all cables are secure and all terminal connections are correct.

Loose terminals may cause the supply terminal board to overheat, and will void the warranty.
The device must be connected to an earth electrode.
 **Risk of electric shock inside the device.**
The device must only be connected by a qualified and experienced technician.
If the power cable is damaged, it must be replaced by a qualified technician.




2.5.3 Cable cross-sections

- supply cable cross-section: cables with a maximum length of 20 metres (calculation base: 5A/mm²), must be checked and adapted depending on installation conditions.

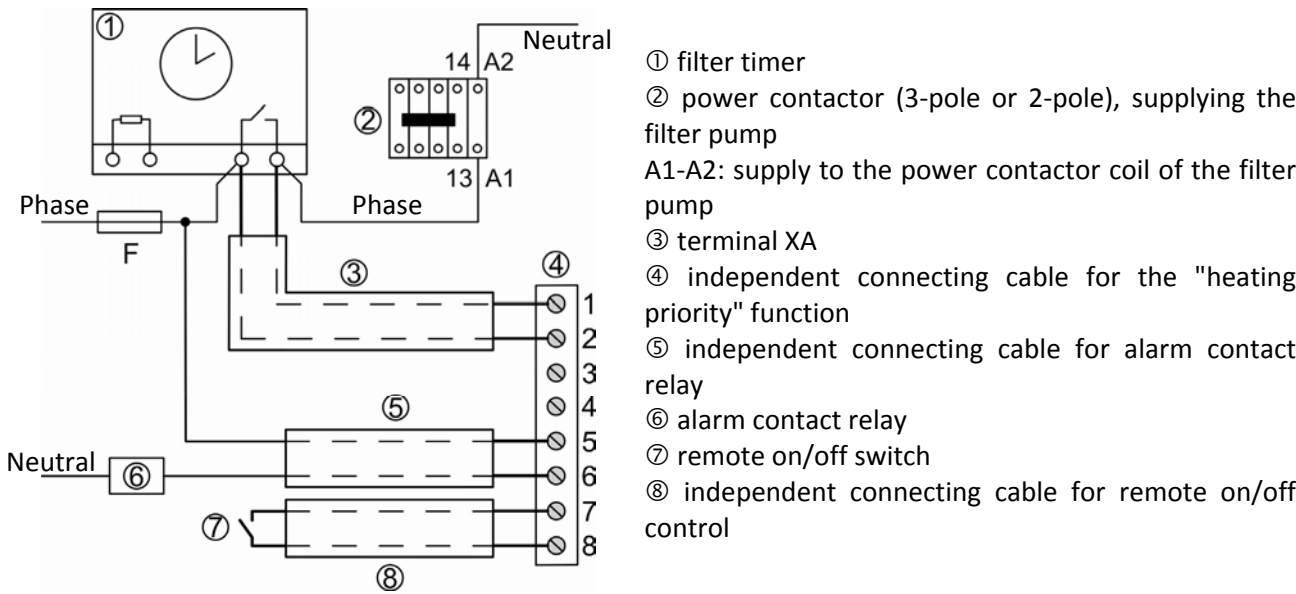
Power Force	Voltage	Maximum I input		Cable cross-section		Electrical protection	
		A		mm ²		A	
25	400V-50Hz	14.2		5x4	5G4	20	
35	400V-50Hz	18.1		5x4	5G4	25	

2.5.4 Connection of options

- use cables with a cross-section: of 2x1.5 mm² or larger, of type RO2V or equivalent in countries outside of the European Community, with an outer diameter of between 8 and 13 mm.

 Use the stuffing boxes supplied to run the cables into the device.

Any incorrect connection to terminals 1 to 8 could damage the regulator and void the warranty.
Never supply the motor of the filter pump directly using terminals 1-2.
If orange terminals 1 to 8 are serviced, back current may exist.

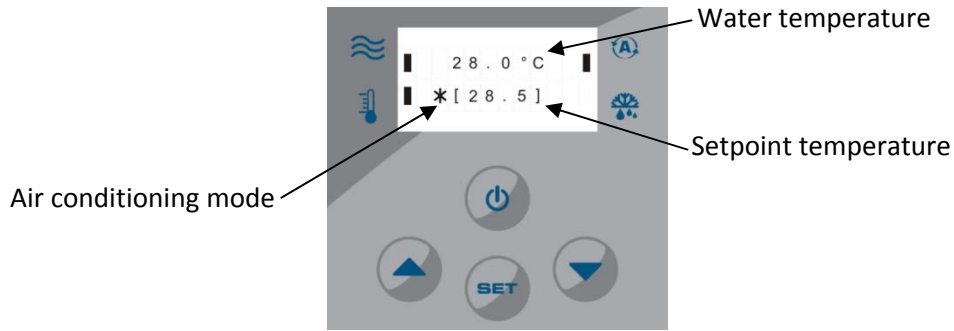


- "heating priority"
 - connection to control the operation of the filter pump (by a minimum 5-minute cycle every hour, with filtration maintained if the pool temperature is below the required temperature),
 - thanks to a dry contact (without max. I polarity = 8 A)
 - between terminals 1-2,

- alarm
 - option to connect a relay to the alarm contact,
 - thanks to a dry contact (without max. I polarity = 2 A)
 - between terminals 5-6,
- remote on/off control
 - thanks to a zero-potential free contact, without 230 V - 50 Hz polarity, between terminals 7-8,
- remote control unit
 - to control the operation of the heat pump remotely,
 - refer to the instructions for the remote control unit for connections,

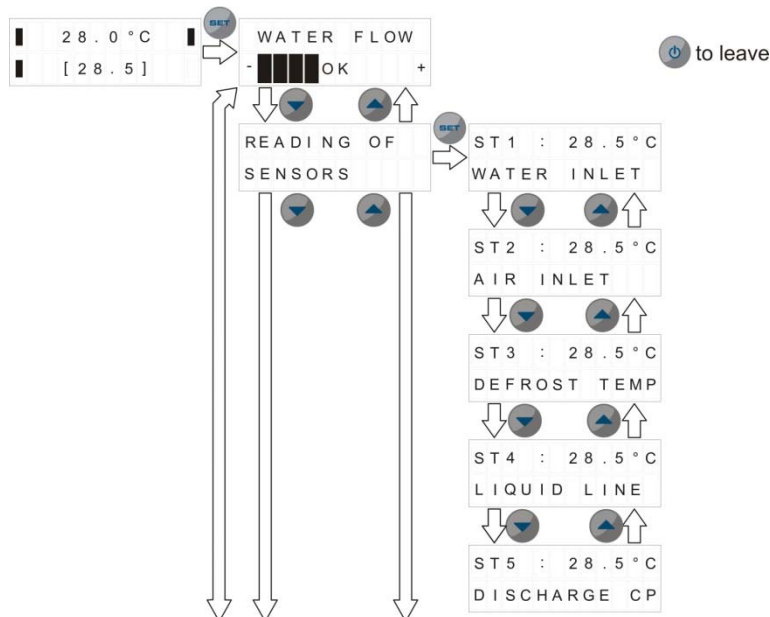
3. Use

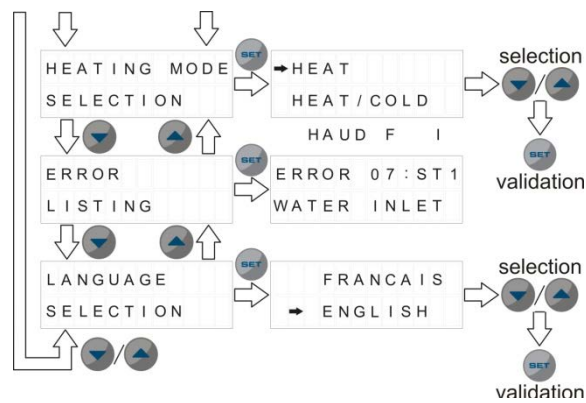
3.1 The control panel



Symbol	Designation	steady	flashing
	water flow	water flow-rate ok	water flow too weak, high or absent
	ambient air temperature	adequate	inadequate
	operation indicator	During heating or air conditioning	On standby until operating command received
	defrost indicator	Defrost in progress	/
	On/off button		
SET	button to set and confirm parameters		
	value setting buttons		

3.1.1 Reading and changing parameters





3.1.2 Locking and releasing the key pad

Press and for 3 seconds: KEYBOARD
LOCKED or KEYBOARD
UNLOCKED

3.2 Starting the device

- check that no tools or other objects have been left inside the device,
- the access door for technical components must be fitted,
- set the by-pass and setting valves (see § 2.4) as follows:
 - valve 1 completely open,
 - valves 2-3-4 & 5 closed.

The incorrect setting of the by-pass valve can lead to the malfunctioning of the heat pump.

- switch on the filter system,
- progressively close valve 1 in order to increase the filter pressure to 150 g (0.150 bar) ,
- open valves 2, 3 and 4 completely, then half open valve 5 (see §2.4) (the air accumulated in the heat pump condenser and in the filter circuit is then bled),

If valves 4 and 5 are not fitted, open valve 1 completely, and half close valve 3.

- power-up the heat pump,
- if the heat pump is on stand-by: - - - -
- - - -, press on for 3 seconds, ████████████████████
████████████████████ will appear for 2 seconds, and SOFTWARE
M05D05 MAP02 for 3 seconds, and the water and set-point temperatures will be displayed: | 28.0 °C |
| [28.5] |, a 2-minute delay will start,
- set the required water temperature:
 - press to increase temperature,
 - press to decrease temperature,

When the pool reaches the required temperature, the heat pump will automatically stop.

- set the water flow-rate using the menu , when the indicator is steady: press to display the water flow-rate status:


Status	water flow-rate ok	no water flow	water flow-rate too weak	water flow-rate too strong
Display	WATER FLOW - ████████ OK +	NO FLOW ████ [28.5]	WATER FLOW - █ +	WATER FLOW - ██████████ +
			WATER FLOW - ████ +	WATER FLOW - ██████████ +

- set the flow-rate using valve 5 (or 3 if no valve 5 is fitted), and, to quit the menu, press .

During this adjustment phase, wait for a few minutes after each change in valve position to allow the device to balance.

3.3 Checks to perform after start-up


The heat pump must stop when:

- the set-point temperature is lowered using the digital control panel,
- filtering is stopped or valve 2 or 3 is closed 3,
- the digital control panel is turned off by pressing ,

3.4 Winter storage



**Winter storage is essential due to the risk of the condenser freezing and breaking. This situation is not covered by the warranty.
To avoid damaging the device with condensation, do not cover it with an air-tight cover.**

- switch the digital control panel to "stand-by" mode by pressing  for 3 seconds,
- open valve 1,
- close valves 2 and 3, and open valves 4 and 5 (if fitted),
- ensure that no water is flowing through the heat pump,
- drain the water condenser (**risk of freezing**) by unscrewing the two pool water inlet and outlet connections at the back of the heat pump,
- in the case of full winter storage conditions for the pool: re-connect the inlet and outlet connections to avoid foreign bodies entering into the condenser,
- in the case of winter storage for the heat pump alone: do not reconnect the inlet and outlet connectors, instead place two plugs (supplied) on the condenser water inlet and outlet.

4. Maintenance

4.1 Maintenance instructions



It is recommended that the device be general serviced on a yearly basis to ensure proper operation, maintain performance levels and prevent some potential failures.

**This is the responsibility of the user and must be performed by a qualified technician.
Do not use a high-pressure water hose.**

- ensure no foreign bodies obstruct the fan grid.
- clean the evaporator with a soft brush and a fresh water jet (disconnect the power cable), do not twist or bend the metal blades,
- clean the outside of the unit with a solvent-free product. A specific PAC NET cleaning kit is available as an optional extra (see §4.3),
- check that the water condensation flows out properly during the operation of the device.
- check the proper operation of the regulator,
- check electrical components,
- check that all metal elements are grounded,
- check the tightening and connections of electric cables and the cleanliness of the electrical compartment.

4.2 Additional recommendations

in relation to the Pressure Equipment Directive (PED-97/23/EC)

4.2.1 Installation and maintenance

- the unit may not be installed close to combustible materials, or the air duct inlet of an adjacent building .
- with some devices, it is essential to fit protection grids if the unit is installed in an area with uncontrolled access.
- during installation, troubleshooting and maintenance, pipes may not be used as steps: the pipe could break under the weight, spilling refrigerant and possibly causing serious burns.
- when servicing the appliance, the composition and state of heat carrying fluid must be checked, as well as the absence of any refrigerant.
- during the annual unit sealing test in accordance with applicable legislation, the high and low pressure switches must be checked to ensure that they are securely fastened to the coolant circuit and that they cutoff the electrical circuit when tripped.
- during maintenance work, ensure there are no traces of corrosion or oil around cooling components.

- before beginning work on the cooling circuit, stop the device and wait for a few minutes before fitting the temperature and pressure sensors. Some elements such as the compressor and piping may reach temperatures in excess of 100°C and high pressures with the consequent risk of severe scalding.

4.2.2 Troubleshooting

- all soldering work must be carried out by a someone qualified to do so.
- replacement pipes must always be made of copper in compliance with standard NF EN 12735-1.
- leak detection; pressure test:
 - never use oxygen or dry air, risk of fire or explosion,
 - use dry nitrogen or the mixture of nitrogen and refrigerant indicated on the information plate,
 - the test pressure for both the high and low pressure circuits must not exceed 42 bar.
- the high pressure circuit pipes are made of copper and have a diameter equal to or greater than 1"5/8. A certificate as indicated in §2.1 in compliance with standard NF EN 10204 will be requested from the supplier and filed in installation technical documentation.
- technical data relative to the safety requirements of the various applicable directives must be indicated on the information plate.
- **This data must be recorded in the installation instructions for the device which are included in the installation technical file: model, code, serial number, maximum and minimum OT, OP, year of manufacture, EC label, manufacturer's address, refrigerant and weight, electrical parameters, thermo-dynamic and acoustic performances.**

4.3 Available accessories

Name	Representation	Item code
PAC NET		WMA03491

4.4 Recycling











This symbol means that your device must not be thrown in the bin. The device must be collected by a selective system in view of re-use, recycling or similar. Any substances it may contain which are potentially dangerous to the environment shall be eliminated or neutralised.


Request information on recycling procedures from your retailer.

5. Resolution of problem

5.1 Control panel messages

Display	Designation	Cause	Solution	Reset
ERROR 01 : FREEZE - UP	Cold protection of heat exchanger	Low temperature inside heat exchanger	Wait the heat exchanger come normal temperature	Automatic
ERROR 02 : T ° CONDENSATION	High temperature defect for the air heat exchanger in "cooling" mode	Temperature probe ST3 above 60°C	if the defect persists, contact an approved technician	Automatic if temperature probe ST3 is below 45°C
ERROR 03 : SECURITE CP	Phase order defect	1. wiring incorrect on the supply terminal board of the device, 2. modification of phase order by electrical supplier, 3. temporary failure of one or several phases	1. reverse the phases on the supply terminal board (without power to the device) 2, 3, 4. contact your electricity provider to find out if modifications have been made to your equipment.	Switch the power supply off or press 

Display	Designation	Cause	Solution	Reset
ERROR 04 : LP LOW PRESS	Refrigerant circuit low pressure defect	Low pressure circuit pressure defect (if the defect remains after reset)	Contact an approved technician	Automatic reset (for less than 4 defects per hour) or press 
ERROR 05 : HP HIGH PRESS	Refrigerant circuit high pressure defect	1. water and air mixture passing in the appliance, 2. unsatisfactory water flow, 3. blocked flow controller 4. clogged heat exchanger	1. check the pool hydraulic circuit 2. increase the flow-rate using the by-pass, check that the pool filter is not clogged) 3. check the flow-rate controller 4. if the defect persists, contact an approved technician	Automatic reset (for less than 4 defects per hour) or press 
ERROR 06 : COMPRES TEMP	Compressor discharge temperature defect	Compressor discharge temperature too high	contact an approved technician	press  for 3 seconds
ERROR 07 : ST 1 WATER INLET	Control sensor defect (ST1)	Sensor out-of-order or disconnected (connector J2 on plate A1)	Replace or reconnect the sensor	Switch the power supply off or press 
ERROR 08 : ST 4 LIQUID LINE	Water flow- rate sensor defect (ST4)	Sensor out-of-order or disconnected (connector J8 on plate A1)	Replace or reconnect the sensor	Switch the power supply off or automatic reset if the defect disappears
ERROR 09 : ST 3 DEFROST TEMP	Defrost sensor defect (ST3)	Sensor out-of-order or disconnected (terminals 1-2 of connector J3 on plate A2)	Replace or reconnect the sensor	Switch the power supply off or press 
ERROR 10 : ST 2 AIR INLET	Anti-freeze sensor defect (ST2)	Sensor out-of-order or disconnected (terminals 3-4 of connector J3 on plate A2)	Replace or reconnect the sensor	Switch the power supply off or press 
ERROR 11 : ST 5 DISCHARGE CP	Compressor discharge sensor defect (ST5)	Sensor out-of-order or disconnected (connector J7 on plate A1)	Replace or reconnect the sensor	Switch the power supply off or automatic reset if the defect disappears.
ERROR 12 : COMUNICATION	Communication s' defect between the main card A1 and the display card A2	1. Incorrect connection between plates A1 and A2 2. Card supply defect 3. Cards out of order	1 and 2. Check connections (connectors J8 and J9, and J7 and J4-J5) 1, 2 and 3. if the defect persists, contact an approved technician	Switch the power supply off or automatic reset if the defect disappears
ERROR 13 : VENTILATION	Ventilation control defect	No information on fan speed A3	Contact an approved technician	Switch the power supply off or press 

Display	Designation	Cause	Solution	Reset
	Communications' defect with ventilation card A3	1. Incorrect connection 2. Supply defect 3. incorrect configuration 4. card out-of-order	1 and 2. Check connections 3. check the position of switches SW1 and SW2, and the JPC bridge 1, 2, 3 and 4. if the defect persists, contact an approved technician	Switch the power supply off or automatic reset if the defect disappears

5.2 Malfunctions of the device

Dysfunction	Causes	Verification / solution
The device is not operational	No display	Check the supply voltage and the fuse F1
	The pool temperature is above the set-point temperature	Increase the set-point temperature
	A message is displayed on the screen	Check the meaning of message §5.1
	Absent or inadequate water flow-rate	Check the water flow-rate (by-pass, filtration)
The device is operational, but water temperature fails to rise	Inadequate filtering time	Set the filtering system to manual 24- hour operation for temperature control
	Non-compliant period of use	Check that outdoor temperature is within the operating range (see §1.3)
	The heat pump is under-dimensioned	Check the characteristics of the heat pump according to the pool
	The automatic pool water filler is blocked in the open position	Check the correct operation of the automatic filler
	The heat insulating cover is not used	Fit the heat insulating cover
	The evaporator is clogged	Clean the evaporator (see §4.1)
	The device is incorrectly installed	The device must be installed outdoors. Check that there is no obstacle less than 4 metres from where the blower is facing, and 0.50 metres behind the heat pump.
The fan is turning, but the compressor stops from time to time without an error message appearing	The heat pump does defrost cycles from time to time	This is normal if the outdoor temperature is below 10 °C
	The evaporator is clogged	Clean the evaporator (see §4.1)
The heat pump breaker opens	The circuit breaker rating is too low or inappropriate	Check the circuit breaker (see § 2.5.3).
	The cable cross-section is too small	Check the cable cross-section (see § 2.5.3)
	The supply voltage is too low	Call your electricity provider

5.3 FAQ

Is it possible to improve temperature performance?	In order to improve the efficiency of your heat pump it is recommended that you:	protect the pool with a cover (floating cover, roller cover, etc.), to avoid heat loss
		choose periods when the outside temperature is warm (on average > 10° C) in order to facilitate the temperature increase (this may take several days. The actual time will vary according to weather conditions and the power of the heat pump)
		the higher the ambient air temperature, the more efficient the heat pump will be
		keep the evaporator clean
	Check that filtration time is sufficient	during the heating phase, water flow must be continuous (24/24)
		to maintain the temperature throughout the season, allow for “automatic” flow of at least 12 hours/day (the longer automatic flow is used, the more time the heat pump will have to function and to heat the water)
	Setting the set-point to maximum will not heat the water any faster	

Why is my heat pump not heating?	on start-up the device remains on “pause” for 3 minutes before actually starting up: check that this period has passed
	once the pool has reached the set-point temperature, the heat pump switches off: check that the water temperature is lower than the requested temperature (see §3.2)
	if the water flow-rate is zero or inadequate, the heat pump will stop: check that water is flowing correctly through the heat pump, and check the hydraulic connections
	when the outdoor air temperature drops below -12 °C, the heat pump will stop: check the outdoor temperature
	the heat pump may have detected a malfunction: check if an error code is displayed on the screen, if so refer to §5.1
	If the problem persists after you have checked all of the above points: contact your installer
Where should my water treatment system be positioned with respect to the heating system?	The water treatment system (chlorinator, salt chlorinator, etc.) must be installed preferably downstream from the heat pump (see installation §2.4), and must be compatible with the latter (check with the manufacturer)
The heat pump is giving off water: is this normal?	Your heat pump will give off water in the form of condensation. This water is the humidity contained in the air, which condenses on contact with certain cold components inside the heat pump. Warning: your device can produce several litres of water per day.

6. Product registration

Register your product using our website:

- you will be among the first to be informed of new Zodiac products and special offers,
- You can help us to constantly improve our product quality.

Australia – New Zealand	www.zodiac.com.au
South Africa	www.zodiac.co.za
Europe and rest of the world	www.zodiac-poolcare.com

7. Conformity certificate

Z.P.C.E. declares that the following products or ranges:

Swimming pool heat pumps: Power Force 25-35

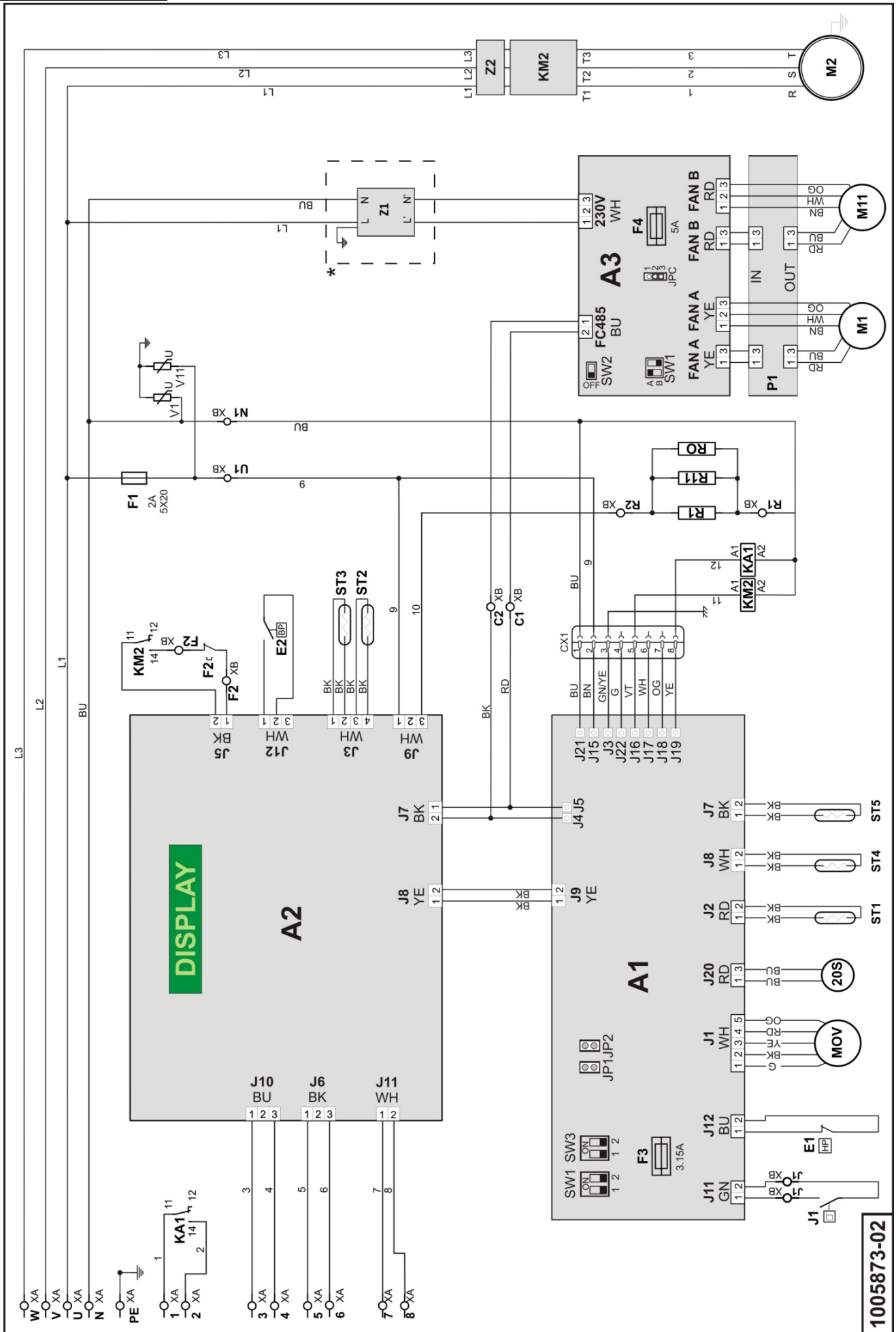
are in compliance with the provisions of:


- **the ELECTROMAGNETIC COMPATIBILITY directive 2004/108/EC**
- **the LOW VOLTAGE directive 2006/95/EC**



Wiring diagram

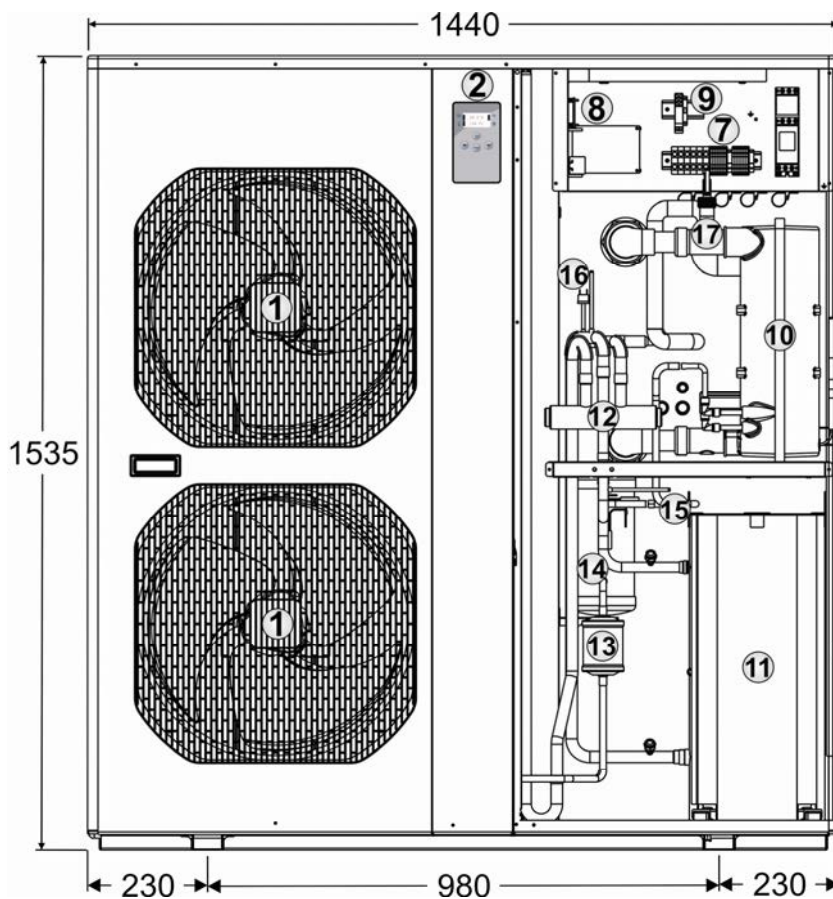
Power Force 25-35

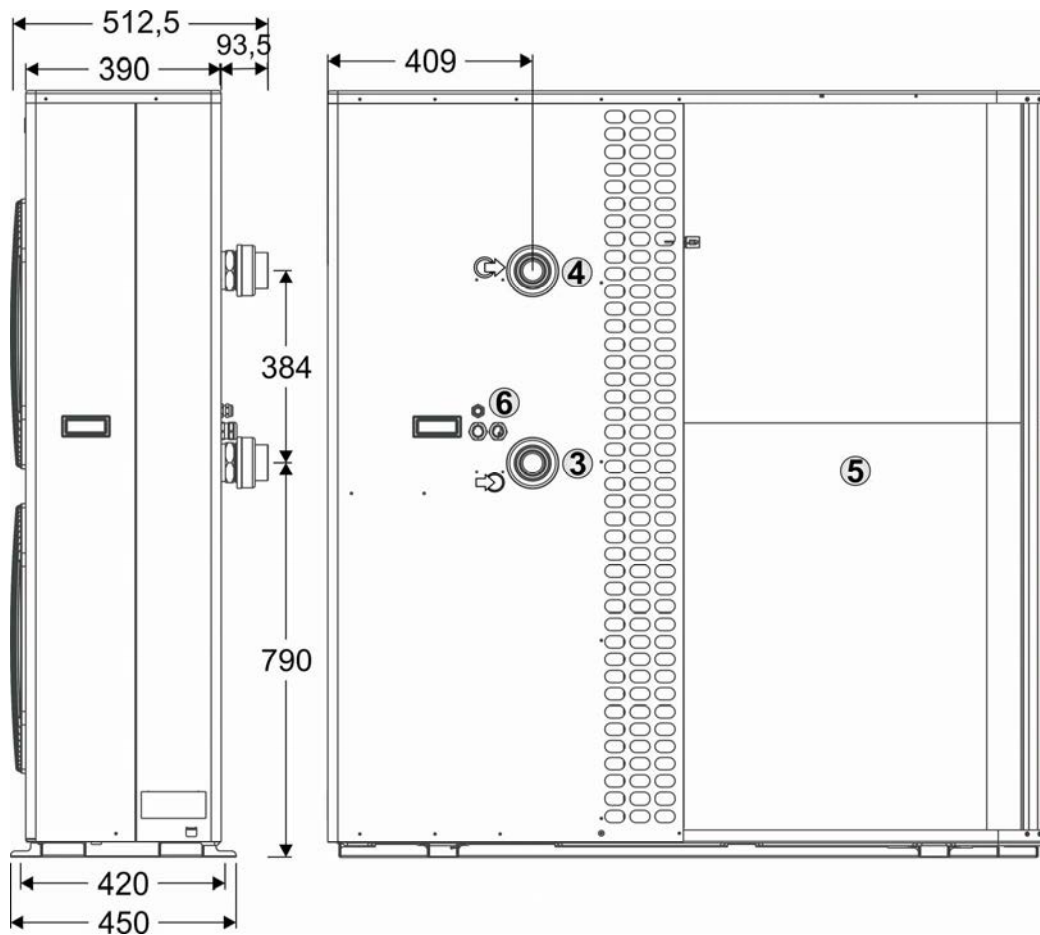


N-U-V-W	Power supply (400V/3N/50 Hz)
PE ()	Ground
1-2	Pump control (max. 8A contact)
3-4	Electrical heating control (max. 2A contact)
5-6	Alarm control(max. 2A contact)
7-8	Remote control
20S	4-way valve coil
*	According to model
A1	Electronic board for regulation
A2	Electronic board for display
A3	Electronic board for ventilation
E1	High-pressure switch
E2	Low-pressure switch
F1	Electronic board protection fuse
F2	Internal compressor safety device
F3	Electronic board protection fuse for regulation A1
F4	Electronic board protection fuse for ventilation A3
J1	Flow rate switch
KA1	Pump relay
KM2	Electronic starter
M1-M11	Fan motor
M2	Compressor motor
MOV	Expansion valve
P1	Protection
R0	Compressor casing resistance
R1-R11	Condenser anti-freeze resistance
ST1	Regulator sensor
ST2	Anti-freeze sensor
ST3	De-icing sensor
ST4	Liquid line sensor
ST5	Compressor discharge sensor
V1-V11	varistor
Z1-Z2	Filter
BK	Black
BN	Brown
BU	Blue
GN/YE	Green/yellow
OG	Orange
RD	Red
VT	Violet
WH	White
YE	Yellow
G	Grey

Dimensions and description

①	Grid
②	Display
③	Pool water inlet Ø63
④	Pool water outlet Ø63
⑤	Evaporator
⑥	Stuffing box
⑦	Supply terminal board
⑧	Electronic board
⑨	Fuse F1
⑩	Condenser
⑪	Compressor
⑫	4-way valve
⑬	Dehydrator
⑭	Liquid bottle
⑮	HP switch
⑯	LP switch
⑰	Flow controller





Power Force	Weight (Kg)
25-35	205

Plaque signalétique – Product name plate

www.zodiac-poolcare.com

Pour plus de renseignements, merci de contacter votre revendeur.
For further information, please contact your retailer.

Votre revendeur / your retailer