

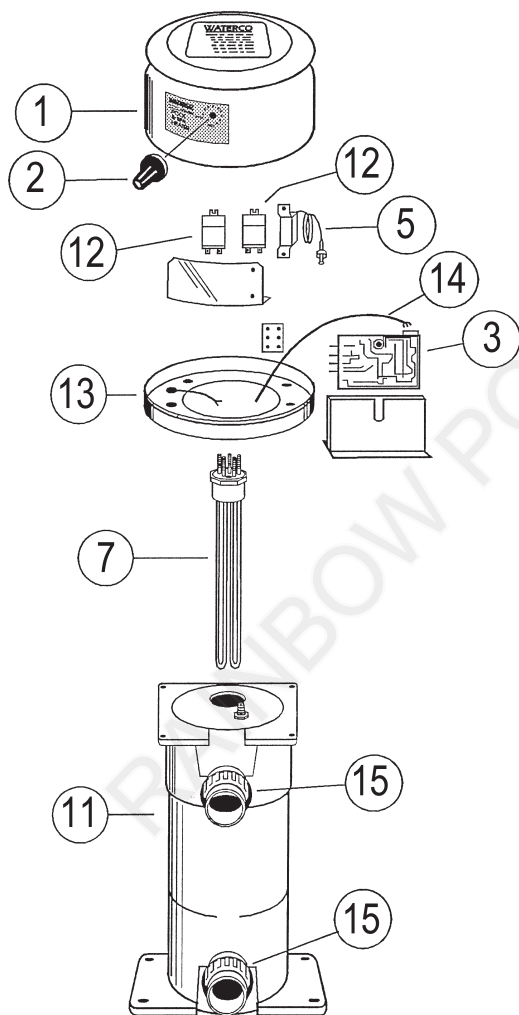


POOL PRODUCTS
Quality Pool & Spa Products

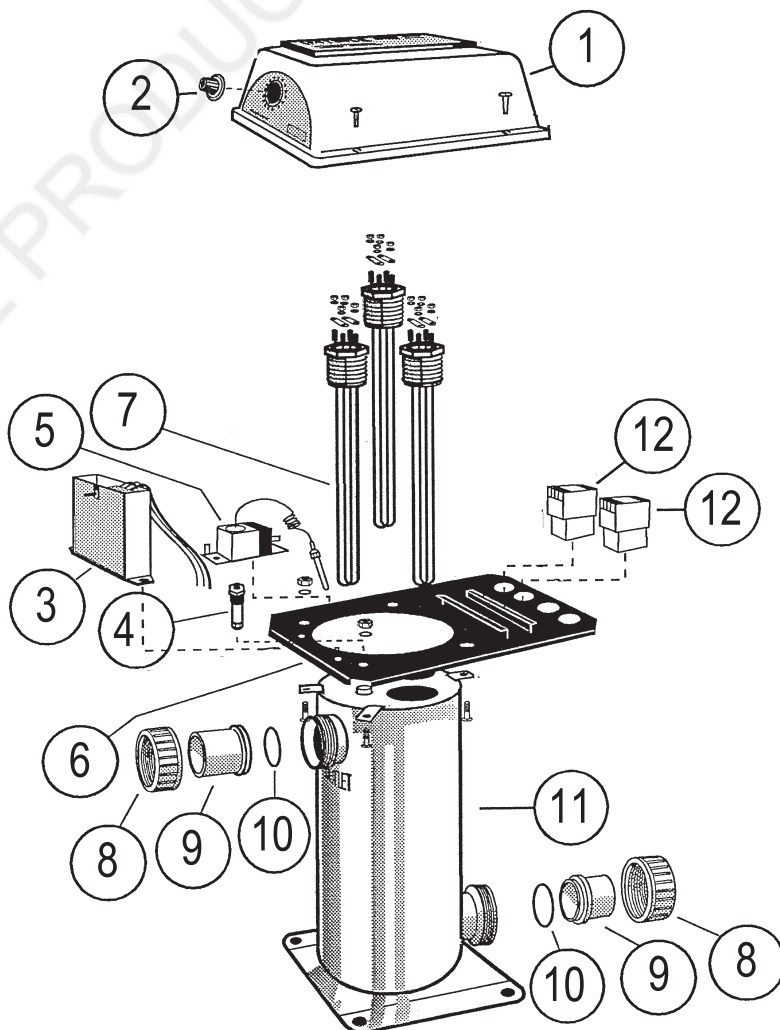
WATERCO ELECTRIC HEATER (ELECTRONIC)

SPARE PARTS DIAGRAM

Single Phase



Three Phase



Key	Description	Product Code
1	Heater Lid 3 Phase	460281
1	Heater Lid Single Phase	46029
2	Heater Control Knob	S12202
3	Heater P.C. Board (1 phase & 3 phase)	4603251
4	Water Sensor	460328
5	Pressure Switch	46036
6	Top Plate 3 phase	460323
7	6kW Element	46006
7	6kW Element (Polished) Commercial Application	46002
7	8kW Element (Polished) Commercial Application	46004
7	8kW Element (Old)	46008
8/9/10	Union, Tail & O ring	634024B
11	Heater Body Single Phase	460312
11	Heater Body (18 & 24kW) S/S	460321
12	6kW Single Phase Heater Relay 30 Amp	460337
12	18kW 3 Phase Heater Contactor	460333
12	24kw 3 Phase Heater Contactor	460334
14	Temperature Sensor (1 phase & 3 phase)	460326
15	Half Union 6kW	122243B
n/s	Element Gasket 6kW, 8kW	46019
n/s	Pressure Switch Nipple 1/4" x 1/4"	46037
n/s	Thermostat Pocket Ego	46043