



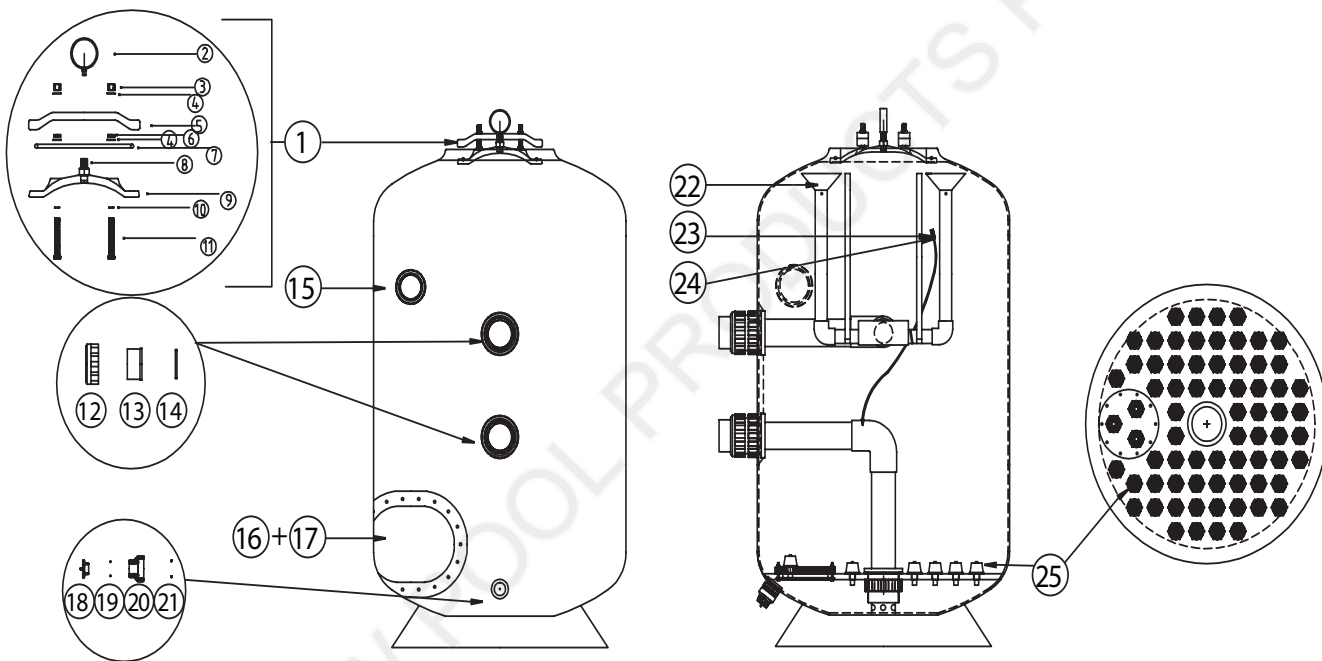
POOL PRODUCTS



Quality Pool & Spa Products

SPDD SIDE MOUNT DEEP BED COMMERCIAL FILTERS

SPARE PARTS DIAGRAM



Key	Nos.	Description	Product Code
1		Man Hole Cover Single Yoke (pre 2007)	620944
1		Man Hole Cover 4 Stud Complete	6209440
2		Pressure Gauge Dry 600kPa/90PSI Bottom Mount	621621
3	4	Hex Nut M16 (4 required)	6340939
4	8	Washer M16 S/S304 (8 required)	6340937
5	2	Lid Yoke Lacron (2 required)	6209430
6	4	Hex Thin Nut (4 required)	W12324
7	1	O ring Manhole Cover Oval 4 Stud - Waterco	6209443
8	1	S/S Screw 1" BSW Male 1/4" BSP Female Thread	W12724
9	1	Manhole Cover Only Oval 4 Stud - Waterco	6209442
10	4	O ring BS113 (4 required)	6340412
11	4	Hex Bolt N16X120MM (4 required)	W12125
12/13	2	Half Union 80mm Black (2 required)	6340803
12/13	2	Half Union 100mm Black (2 required)	6340801
14	2	O ring B/U 80mm	6302553
14	2	O ring B/U 100mm	6302550
15	1	Sight Glass 3" Complete (Post 2008)	62380
16	1	Side Manhole Cover 18 Hole Oval	6209470
16	1	Side Hatch Round 200mm	6209491
17	1	Gasket for Side Manhole Oval 18 Hole	6209471
17	1	O ring G210 for Side Hatch Round 200mm	6209492
21	1	O ring 40mm B/U EPDM	64479
22	4	Funnel For Port Size 3" & 4" (80mm & 10mm) (4 required)	620940
22	4	Funnel for Port Size 6" (150mm) (4 required)	621013
23	1	Air Relief Tube Screen	620223
24	2	Gulfstream Plug (2 required)	85251
25		Filter Nozzle	6209405
		Numbers of nozzles required for model:-	
	67	SPDD1050 - 67 required	
	71	SPDD1200 - 71 required	
	101	SPDD1400 - 101 required	
	139	SPDD1600 - 139 required	
	187	SPDD1800 - 187 required	
	239	SPDD2000 - 239 required	
	317	SPDD2350 - 317 required	