



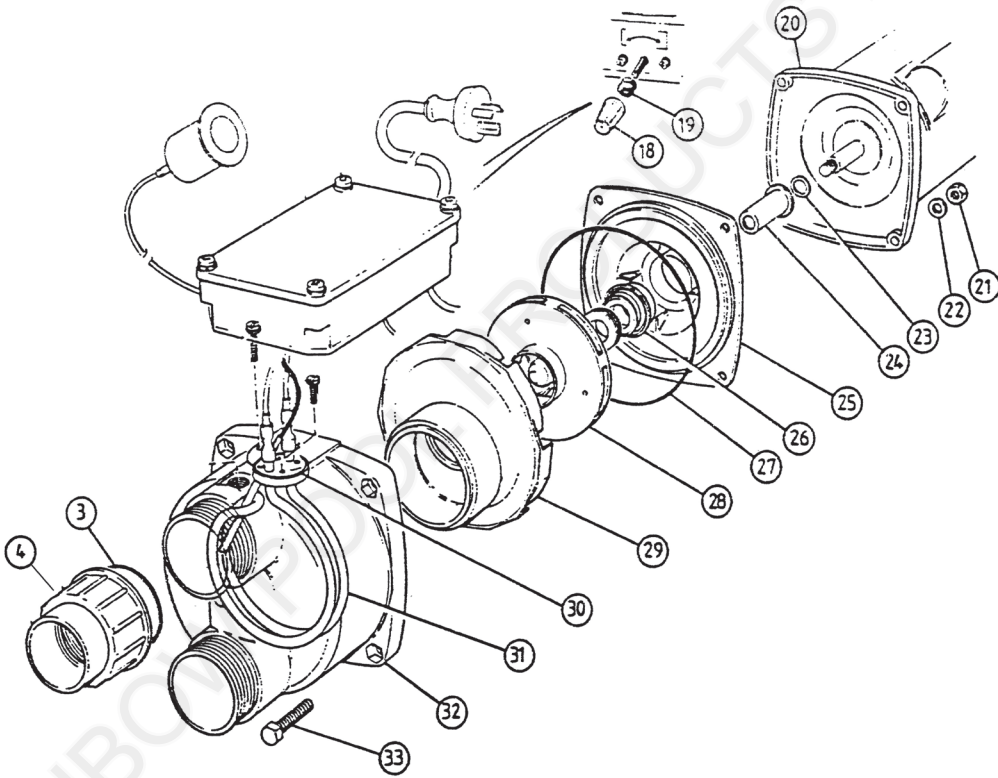
POOL PRODUCTS



Quality Pool & Spa Products

PORTAPAC (DEMAND & DEMAND ELITE)

SPARE PARTS DIAGRAM



Key	Description	Product Code
3	Union O ring	S1348011
4	Half Union - 50mm Nut	S13185A
20	Motor 1.17kW	6307245
n/s	Pump Foot	AXPU158
21	Nut (nose)	S0690915
22	Washer (nose)	S0013815
23	Shim	S122863
24	Flinger (shroud)	S121671
25	Adaptor Plate	S132891
26	Mechanical Seal	6340162
27	Pump Body O ring	S1226911
28	Impeller (demand)	S13307E1
28	Impeller (demand elite)	S13308E1
29	Diffuser	S1295611
31	Element	S13868A
31	Element 2.4kw	S13869A
32	Pump Face	S134461
n/s	Probe Washer	S1153326
n/s	Capillary Pocket (suit ego)	638143
n/s	Thermostat adj (44.5 - 45.5)	S13852
n/s	Thermostat adj (20-45) EGO	638142
n/s	Thermostat Fixed 45 deg	S13626A
n/s	Thermostat Fixed 55 deg	S13850A
n/s	Pressure Switch	6367237
n/s	Air Switch Latch	S12811
n/s	Sequential Air Switch	S13125
n/s	240v Relay 16 Amp	S12607
	Thermostat Knob	S12202
	O ring (element)	63813920
	S/S Profile Washer	63813899
	Element Screw 16mm x M4	634036
	Element Screw 25mm x 16mm (electronic)	634037
	Control Box Assembly Complete (suits 135E, 130E)	638141AP
	Bolt M8 X 40 Hex Z/P	S1160915