

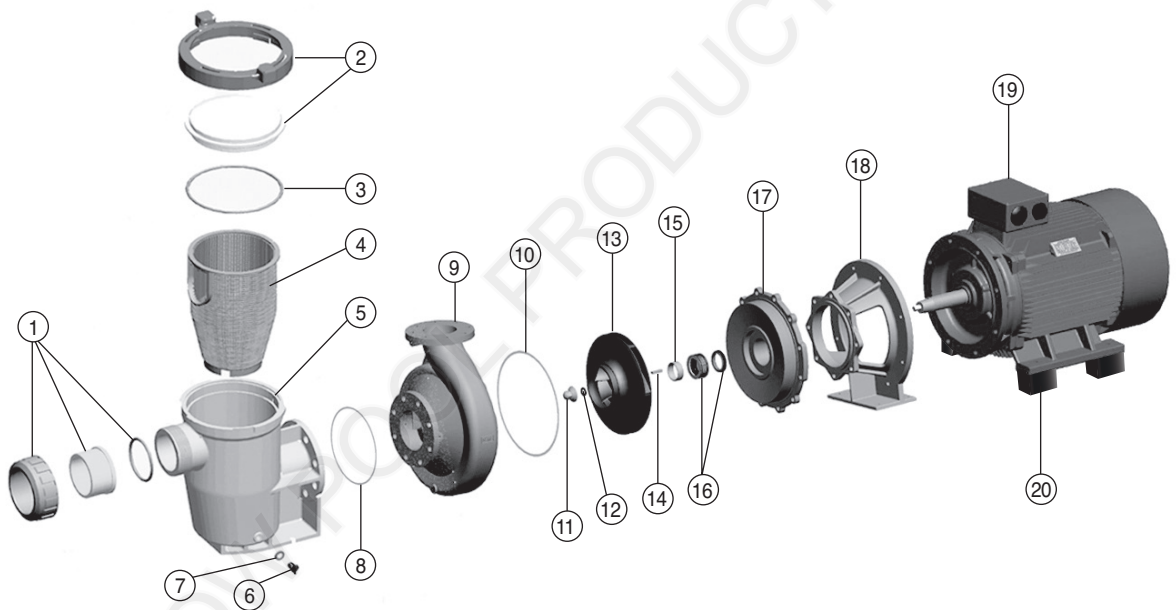


**POOL PRODUCTS**  
Quality Pool & Spa Products

## HYDROSTEEL PUMP

(Product Code: 2408400, 2408401, 2408550, 2408551, 2408750, 2408751 & 2408753 (2408753 without strainer))

### SPARE PARTS DIAGRAM



Key	Description	Product Code
1	80mm Half Union with O ring	6340803
1	80mm Half Union O ring	6302550
2	Lid & Lock Ring	6340651
3	O ring G200	634075
4	Basket	634063
5	Lint Pot SS (to suit 4 kW)	6340901
5	Lint Pot SS (to suit 5.5 kW)	6340902
5	PP Strainer 4" threaded port	63409031
5	PP Strainer 6" threaded port	63409032
6	Drain Plug H/L Pot	63402301
7	Washer - Drain Plug H/L Pot	6320193
8	Flange Gasket	1216801
9	Casing (to suit 4 kW - Flange Type)	6340906
9	Casing (to suit 4 kW - Screw Type)	6340904
9	Casing (to suit 5.5 kW - Flange Type)	6340907
9	Casing (to suit 5.5 kW - Screw Type)	6340905
10	Casing Gasket	6340935
11	Impeller Nut	6340915
12	Spring Washer M16 SS	6340916
13	Impeller (to suit 4 kW)	6340910
13	Impeller (to suit 5.5 kW)	6340911
14	Impeller Key	6340917
15	Spacer (to suit 4 kW)	6340925
15	Spacer (to suit 5.5 kW)	6340926
16	Mechanical Seal (to suit 4 kW)	63401627
16	Mechanical Seal (to suit 5.5 kW)	63401628
17	Seal Plate (to suit 4 kW)	6340933
17	Seal Plate (to suit 5.5 kW)	6340934
18	Adapter Plate (to suit 4 kW)	6340930
18	Adapter Plate (to suit 5.5 kW)	6340931
19	Motor 4 kW MEPS	646340204
19	Motor 5.5 kW MEPS	634040214
19	Motor 7.5 kW MEPS	634040224
20	Motor Support 4 kW (4 required)	6340921
20	Motor Support 5.5 kW (4 required)	6340922
n/s	Motor Slinger (to suit 4 kW)	631784
n/s	Motor Slinger (to suit 5.5 kW)	631785
n/s	Hex Bolts M10 x 55mm (4 Required)	6340924
n/s	Washer M10 - SS (4 required)	6302181
n/s	Nut M10 - SS 304 (8 required)	S059676
n/s	Bolts M12x25mm SS 304 (8 required)	6340920
n/s	Plain Washer M12 SS (4 required)	6340936
n/s	Stud M10x20mm SS 304 (4 required)	6340923
n/s	Casing Drain Plug 3/8"	6340918
n/s	Plug 1/4" NPT SS 304	6340919
n/s	Hex Bolts M16x60mm (8 required)	6340938
n/s	Hex Nut M16 SS 304 (8 required)	6340939
n/s	Plain Washer M16 SS (8 required)	6340937