



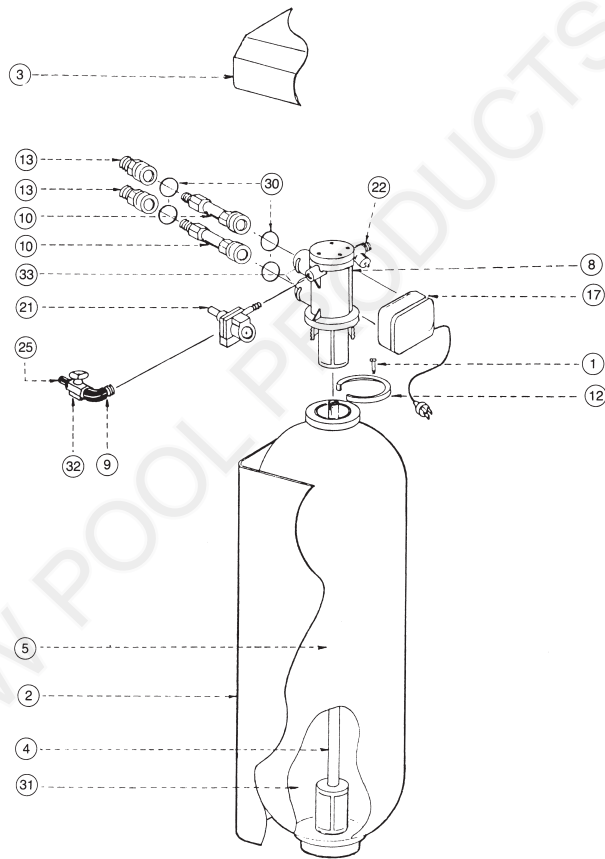
RAINBOW
POOL PRODUCTS



Quality Pool & Spa Products

COMMANDOMATIC FILTERS

SPARE PARTS DIAGRAM



Key	Description	Product Code
	MODELS: MB6, MB6A, MB40, MB40A, CF6, CF40, CF40A	
1	Bolt 1/4 BSW x 1 Inch S/S (MB40/A, CF40/A) 5 required	72512954
2	Sheath (MB6/A, CF6/A)	72522496
3	Lid (MB6/A, CF6/A)	72522497
4	Assembly Tube (MB6/A, CF6/A)	72522061
4	Assembly Tube (MB40/A, CF40/A)	72522582
5	Assembly 24 Litre Bottle (MB6/A, CF6/A)	72521494
5	Assembly 40 Litre Bottle (MB40/A, CF40/A)	72522559
8	Assembly A-10 Valve (MB6, MB40, CF6, CF40)	72522521
8	Assembly A-10 Valve (MB6A, MB40A, CF6A, CF40A)	72525703
9	Short Plastic Elbow 3/8 x 1/2 BSP	72522432
10	Outlet & Inlet Pipe 15mm (2 req) MB6/A, CF40A)	72522452
12	Clamp (MB6/A, CF40/A)	72512470
13	1 Inch Brass Outlet & Inlet (MB40/A, CF40/A)	72522524
	Cycle Controller 24 Volt	72515308
	Volumatic Controller	72525614
21	Solenoid Valve 24V	72515043
	Controller Bracket (Volumatic Controller)	72515615
	24V Transformer and Plug	725361334
21	Solenoid Valve Assembly 240v (MB6A, MB40/A, CF6/A, CF40/A)	72523059
22	Pressure Relief Valve	72523516
30	O ring (2 req)	72591213
33	Circlip (2 req)	72512085
	Kit F (plunger, Diaphragm Spring for Phillips Solenoid)	72525121
	Nylon Bush (for Timer Adapter)	72590112