



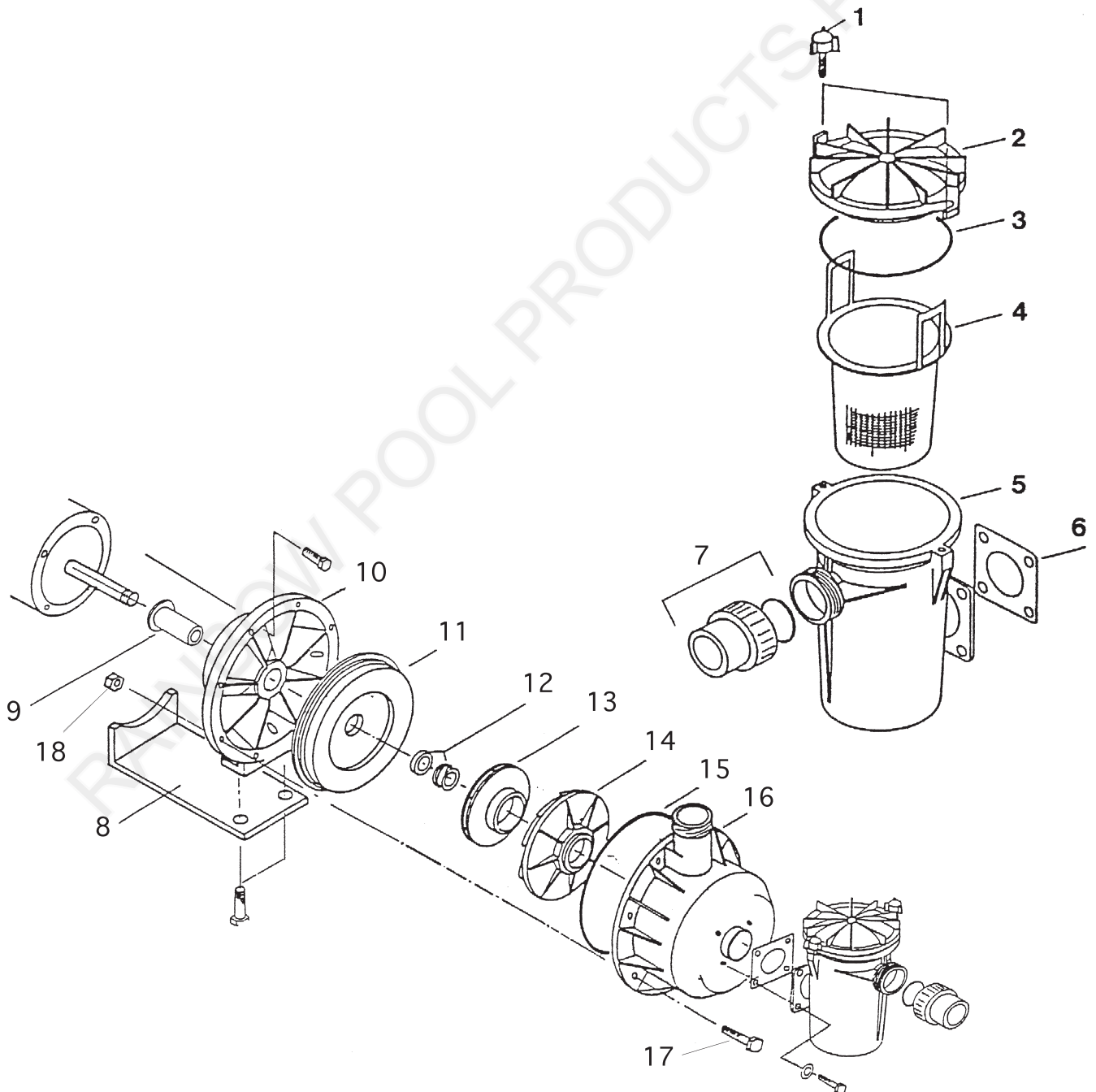
POOL PRODUCTS



Quality Pool & Spa Products

CHARGER PUMP

SPARE PARTS DIAGRAM



Key	Description	Product Code
1	H/L Pot Wing Nut	63008
2	H/L Pot Lid	63002
3	H/L Pot Lid O ring	63004
5	H/L Pot Body	63000
6	H/L Pot Mounting Gasket	63010
7	40mm Half Union	122243B
7	Union O ring	64479
8	Pump Foot	63028
9	Shaft Shroud	63039
10	Pump Back Plate	63030
11	Seal Plate	63038
13	Impeller (Charger 75)	63017
13	Impeller (Charger 100)	63018
13	Impeller (Charger 125)	630181
13	Impeller (Charger 150)	63019
13	Impeller (Charger 200)	630191
14	Diffuser	63012
15	Seal Plate O ring	63022
16	Pump Face H/L Pot	63016
18	M8 x Nut (set of 8)	63024
n/s	5/16 x 3/4 Bolt	630211
n/s	Shaft Shroud O ring	63043
n/s	Motor (Charger 75)	63047
n/s	Motor (Charger 150)	63049
n/s	Clacker Valve (drain down valve)	85517