

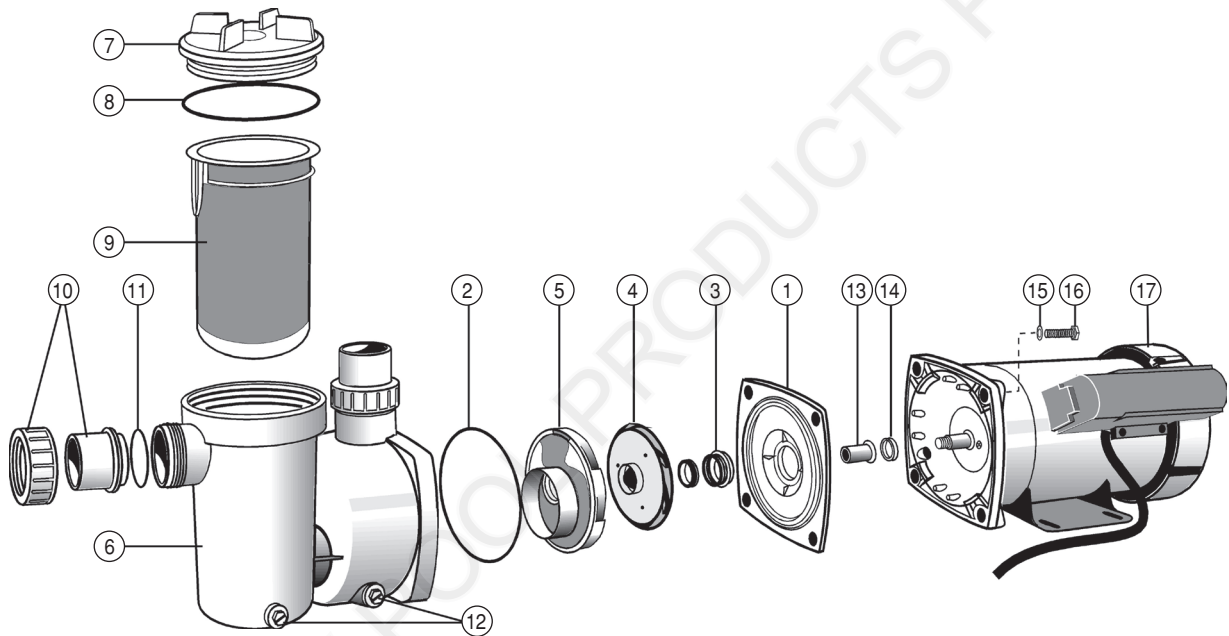


POOL PRODUCTS
Quality Pool & Spa Products

AQUASTREAM

(January 1996 to January 1999)

SPARE PARTS DIAGRAM



Key	Description	Product Code
1	Adapter Plate	S121691
2	Body O ring	S1226911
3	Mechanical Seal 316 S/S	6340162
4	Impeller (Aquastream 50)	63613885
4	Impeller (Aquastream 75)	63613886
4	Impeller (Aquastream 100)	S12937E1
4	Impeller (Aquastream 125)	S12938E1
4	Impeller (Aquastream 150)	63613887
6	Pump Face H/L Pot	635050
n/s	Clacker Valve (drain down)	85517
7	H/L Pot Lid	635051
8	H/L Pot Lid O ring	635052
9	H/L Pot Basket	635054
10	Half Barrel Union C/W O ring	122243B
11	Union O ring	64479
12	Drain Plug	634023
13	Flinger (shroud)	S121671
14	Shim (set of 3)	S1228633
15/16	Multi Pack M8 Bolts & Washers	63505321
	2 x 6350530 (M8 x 30 bolt)	
	4 x 6302180 (M8 Washer)	
	2 x 6350540 (M8 x 40 bolt)	
17	Motor 1.17kW With Foot (50 - 125)	6307245A
17	Motor 1.68kW (150) No Slinger Required	635035L
n/s	Pump Foot (for 635035L)	6350720
n/s	End Shield (for 6307245A)	634047
n/s	Toolbar (suits all pumps)	634086

Note: When replaing hair and lint pot body please change all internals to post 1999 model for correct fit