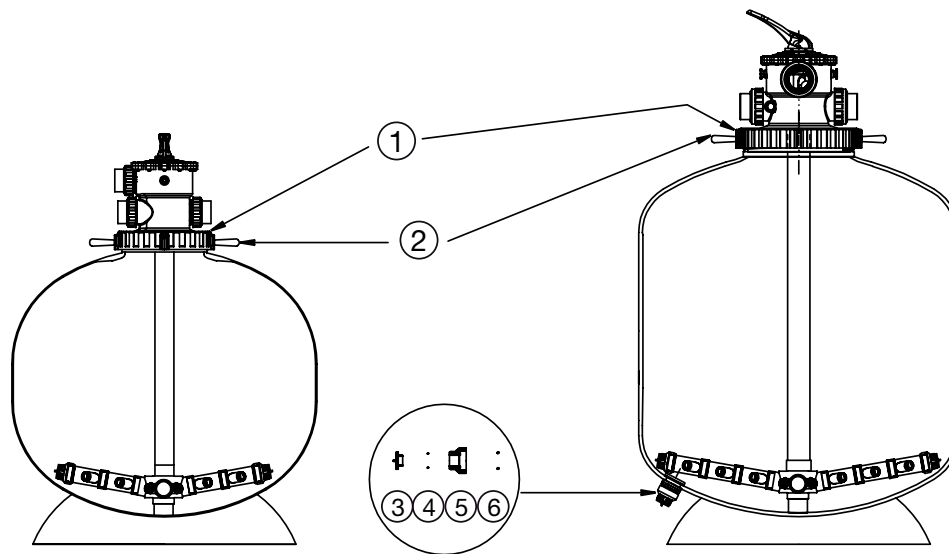


TOP MOUNT FILTER TANKS

Also AQUASWIM tank Filament Wound

Part Number	Product Description	Diagram Number
FILAMENT WOUND		
220124	(A) S600 Tank inc Base & Under Drain Assembly	
220125	S600 PREMIUM Tank inc Base & Under Drain Assembly	
220128	S700 Tank inc Base & Under Drain Assembly	
220129	(A) S702 Tank inc Base & Under Drain Assembly	
220130	(A) S750 Tank inc Base & Under Drain Assembly	
220132	(A) S800 Tank inc Base & Under Drain Assembly	
220136	(A) S900 Tank inc Base & Under Drain Assembly	
220140	S1000 Tank inc Base & Under Drain Assembly	
220142	S1050 Tank inc Base & Under Drain Assembly (50mm)	
2201420	S1050 Tank inc Base & Under Drain Assembly (65mm)	
220148	S1200 Tank inc Base & Under Drain Assembly (50mm)	
2201480	S1200 Tank inc Base & Under Drain Assembly (65mm)	
22048801	S1200 Tank inc Base & Under Drain Assembly (80mm)	
NOTE: A - Aquaswim		
THERMOPLASTIC FILTER TANK ONLY - CLAMP TYPE		
2260165	T400 Filter Tank Only - Clamp Type	
2260185	T450 Filter Tank Only - Clamp Type	
2260205	T500 Filter Tank Only - Clamp Type	
2260245	T600 Filter Tank Only - Clamp Type	
TOP MOUNT COMMERCIAL S1050/S1200		
620232	Lock Ring 12" for S1050/S1200 65mm Valve	1
6202321	Screwed Handle for Lock Ring 12" / 16"	2
6209303	Drain Plug	3/4/5/6
620221	Air Relief Valve	
621632	Liquid Filled Pressure Gauge Bottom Mount 400kPa	



Part No:		620921	620922	620923	620924	620925	6209251	6208931	6208932	6208933	6200912	W02269BLK	W02270BLK
Model	Manifold	LATERALS				Lateral End Cap Nut	Lateral End Plug (male)	Hzr Cross Tee	Hzr LCT Extension	Hzr LCT End Cap	Extension Arm	Cap Body	Cap Nut
		75mm	110mm	145mm	200mm								
S1050	50mm	-	8	-	8	8	-	-	-	-	-		
S1050 w 65mm MPV	65mm	-	12	-	12	20	-	-	-	-	8	4	4
S1200	50mm	-	-	8	8	8	-	-	-	-	-		
S1200 w 65mm MPV	65mm	8	-	12	12	20	-	-	-	-	8	4	4
S1200 with 80mm MPV (Praher Valve)	-	8	8	20	6	32	4	2	8	4	-		
S1200 with 80mm MPV (Waterco Valve)	80mm	12	4	20	12	28	-	-	-	-	12	4	4
S1400 with 80mm MPV (Waterco Valve)	80mm	8	8	28	24	28	-	-	-	-	12	4	4

MICRON/ THERMOPLASTIC/ HYDRON COMMON PARTS

Part Number	Product Description	Diagram Number
62090	Lateral Capped Threaded	
62091	Lateral Extension Threaded	
620892	Manifold Threaded 40mm	
620893	Manifold Threaded 50mm	
620921	Lateral Threaded 75mm	
620922	Lateral Threaded 110mm	
620923	Lateral Threaded 145mm	
620924	Lateral Threaded 200mm	
620925	Lateral Threaded Cap	
6209251	Lateral Threaded Plug	
62100	Valve Neck O ring (Suits 40mm MPV)	
62101	Micron Valve Gasket (50mm)	
62102	Micron S/S Dome Nut & Washer (Set of 12)	
62109	Pressure Gauge Back Mount 250kPa	
62161	Pressure Gauge Bottom Mount 250kPa	
621621	Pressure Gauge 100mm Bottom Mount 600 kPa	
621630	Pressure Gauge Back Mount (Oil Filled) 400kPa	
621632	Pressure Gauge Bottom Mount (Oil Filled) 400kPa	
122243B	40mm Half Union	
64479	40mm Union O ring	
634024B	50mm Half Union	
6340241	50mm Union O ring	
6340803	80mm Half Union (Black) with O ring	
6302550	80mm Half Union O ring	
6209304	Drain Plug 25mm Complete (S600 Premium)	



Rainbow Pool Products

PO Box 2388, Mansfield Qld 4122

Telephone STD 61-7-3849 5385

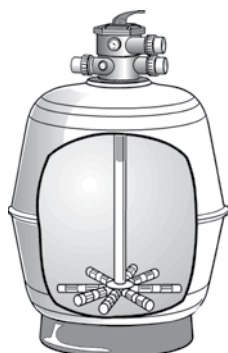
Facsimile STD 61-7-3849 5384

Email: info@rainbowpoolproducts.com.au

Web: www.rainbowpoolproducts.com.au

T Filters - Clamp Band Type

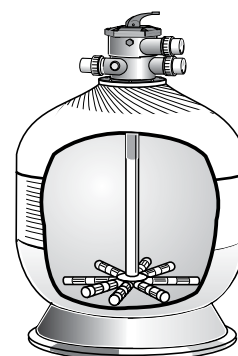
620892	Manifold Threaded 40mm
620921	Lateral Threaded 75mm (8 required for T400)
620922	Lateral Threaded 110mm (8 required for T450, T500)
620923	Lateral Threaded 145mm (8 required for T600)
620925	Lateral Threaded Cap (8 required for each model)
6226010	Clamp Band 6" Kit
62109	Pressure Gauge Back Mount
622604	Locater 40mm 6" Clamp
620269	O Ring 185 x 4mm



THERMOPLASTIC SAND FILTER



**CLAMP BAND
THERMOPLASTIC FILTER**

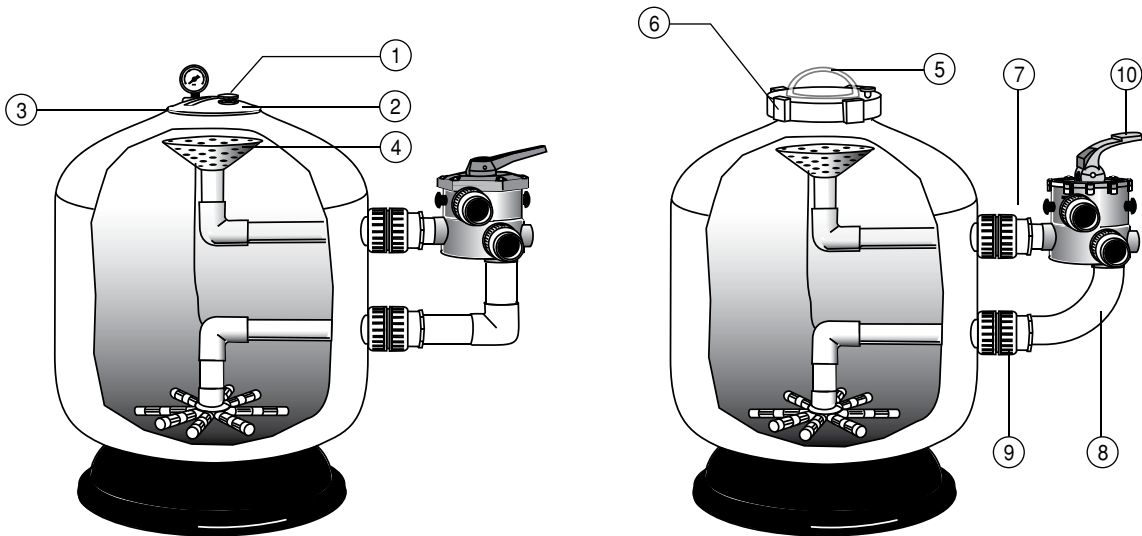


MICRON SAND FILTER

Part No:	Manifold	620921	620922	620923	620924	620925
		LATERALS				Lateral End Cap Nut
Model		75mm	110mm	145mm	200mm	
T400	40mm	8	-	-	-	8
T450	40mm	-	8	-	-	8
T500	40mm	-	8	-	-	8
T600	40mm	-	-	8	-	8
Clamp Type T400	40mm	8	-	-	-	8
Clamp Type T450	40mm	-	8	-	-	8
Clamp Type T500	40mm	-	8	-	-	8
Clamp Type T600	40mm	-	-	8	-	8
S500	40mm	-	8	-	-	8
S600	40mm	8	8	-	-	8
S700 / F700	40mm	-	-	-	8	8
S702 / F702	50mm	-	-	-	8	8
S750	50mm	8	-	8	-	8
S800	50mm	8	-	8	-	8
S900	50mm	-	-	16	-	8

MICRON SIDE MOUNT SAND FILTER

Part Number	Product Description	Diagram Number
620221	Air Release Valve	1
620929	S/M Top Lid (Threaded)	2
620926	S/M Top Lid O ring	3
620940	S/M Water Diffuser (Funnel)	4
6209291	SM 8" Lid	5
62024BLK	Lock Ring for 8" Lid	6
62026	SM Top Lid O ring 8"	n/s
620944	Manhole Cover (Suit SM1050 and up)	n/s
620266	S/M Manhole O ring (SM1050 and up)	n/s
121551	Threaded Fitting 40mm for Sweep Elbow	7
121556	Threaded Fitting 50mm for Sweep Elbow	7
121550	Threaded Sweep Elbow 40mm	8
121555	Threaded Sweep Elbow 50mm	8
630320	40mm Half Union Nut	9
64479	Barrel Union O ring 40mm	n/s
6340242B	Barrel Union Nut 50mm	9
6340241	Barrel Union O ring 50mm	n/s
6209302	Drain Plug (up to and including SM900 with 50mm Ports)	
6209303	Drain plug (SM900 with 80mm Ports and SM1050 and up)	n/s
620927	2" (50mm) Bulk Head	
122282	3" (80mm) Bulk Head	
121558	Sweep elbow kit 40mm	8
121559	Sweep elbow kit 50mm	8



Part No:	Manifold	620921	620922	620923	620924	620925	6209251	6208931	6208932	6208933
		LATERALS				Lateral End Cap Nut	Lateral End Plug (male)	Hz Cross Tee	Hz LCT Extension	Hz LCT End Cap
Model		75mm	110mm	145mm	200mm					
SM500	40mm	-	-	8	-	8	-	-	-	-
SM600 40 Port	40mm	8	8	-	-	8	-	-	-	-
SM600 50 Port	50mm	8	8	-	-	8	-	-	-	-
SM700	50mm	-	-	-	8	8	-	-	-	-
SM750	50mm	8	-	8	-	8	-	-	-	-
SM800	50mm	-	8	8	-	8	-	-	-	-
SM900	50mm	8	-	-	8	8	-	-	-	-
SM900 80mm Port	-	4	22	4	2	36	4	2	8	4