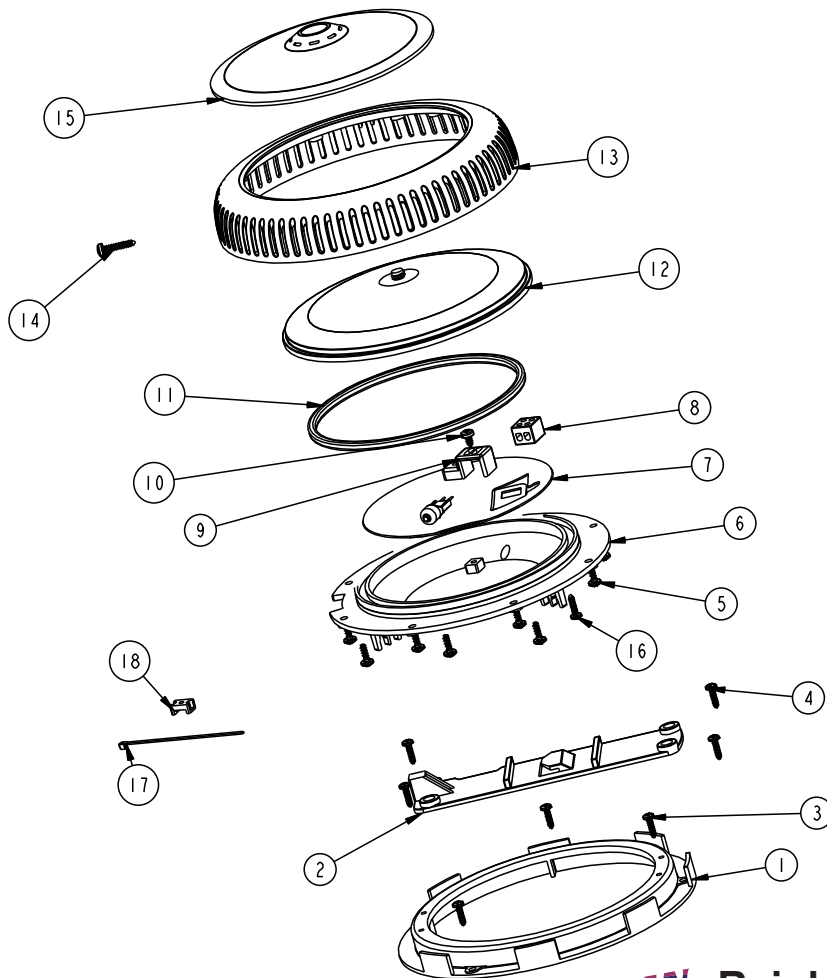


# UNDERWATER POOL LIGHT 12V

Part Number	Product Description	Diagram Number
65001	Wall Ring	1
65002	Light Bracket	2
65012	Screw 8G x 5/8" (3 required)	3
65012	Screw 8G x 5/8" (4 required)	4
65012	Screw 8G x 5/8" (1 required)	5
65004	Reflector Plate	7
65006	Ceramic Terminal Block	8
65007	Connector Block	9
65013	Screw 10G x 3/8	10
65008	Gasket	11
65009	Clear Diffuser	12
650102	Rim Pool Light MK3	13
65014	Screw 10G x 16MM	14
26603	Coloured Lens - Blue	15
26605	Coloured Lens - Red	15
26606	Coloured Lens - Green	15
650120	Screw 8G x 13mm (8 required)	16
64603	Cable Tie	17
646032	Cable Tie Clamp	18
650051	Globe 12V 100W	n/s
650105	Adaptor Pool Lights	n/s
263080	UWL Replacement Kit - consists of:	2, 4-14, 16-18
13030	13030 - Hose Clamp 6-12mm (2 required)	n/s
861812	861812 - Sleeve - 20mm long (2 required)	n/s
650052	Litestream Globe 24V 100W	
65015	12M Light Gland Nut Assembly	
650151	18/21M UWL Gland Nut Assy	
65061	Light back plate c/w reflector & 65015	



**Rainbow Pool Products**

PO Box 2388, Mansfield Qld 4122

Telephone STD 61-7-3849 5385

Facsimile STD 61-7-3849 5384

Email: [info@rainbowpoolproducts.com.au](mailto:info@rainbowpoolproducts.com.au)

Web: [www.rainbowpoolproducts.com.au](http://www.rainbowpoolproducts.com.au)