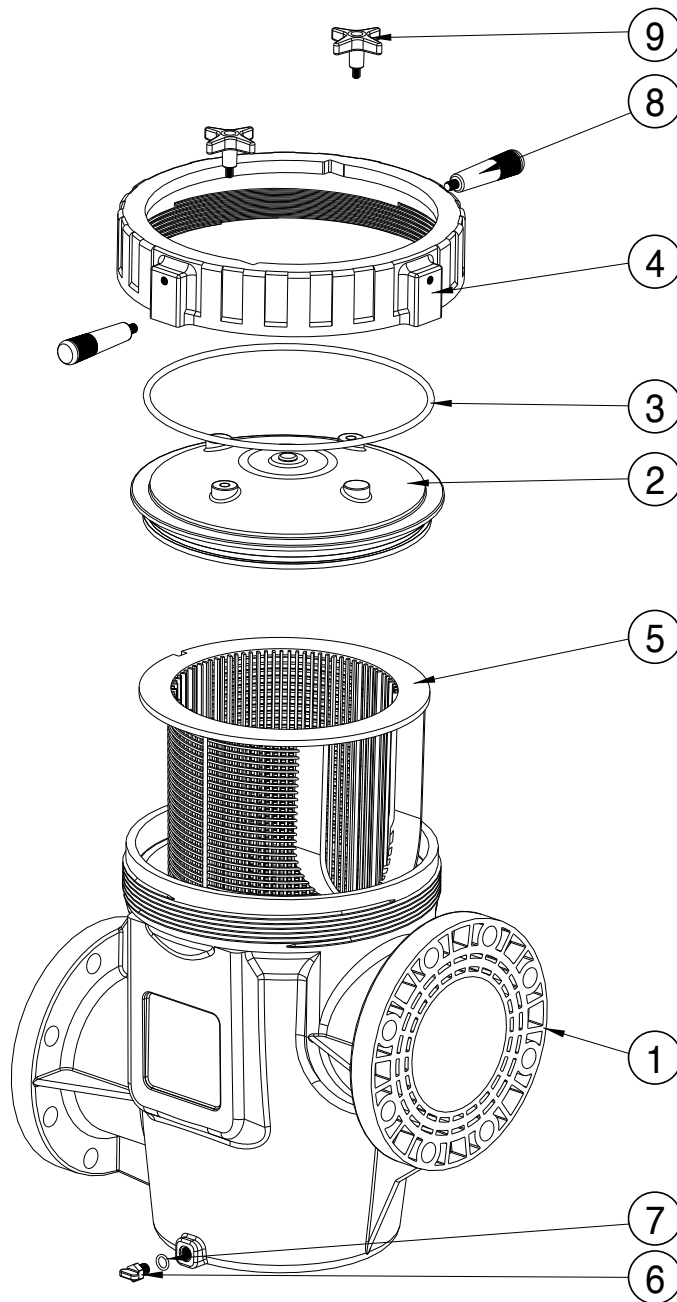


# COMMERCIAL STRAINER

Part Number	Product Description	Diagram Number
63450580	PP Strainer Housing 6" Flange Port	1
63450500	Hair & Lint Pot Lid 12" PC Clear	2
62027	Opal Lid O ring BS452A	3
620232	Filter Lock Ring 12"	4
63450520	Strainer Basket PP	5
63402302	Drain Plug 1/4" BSP	6
620193	O ring BS112	7
6202321	Handle Lock Ring	8
AXFI 168	CF Knob	9



## Rainbow Pool Products

PO Box 2388, Mansfield Qld 4122

Telephone STD 61-7-3849 5385

Facsimile STD 61-7-3849 5384

Email: [info@rainbowpoolproducts.com.au](mailto:info@rainbowpoolproducts.com.au)

Web: [www.rainbowpoolproducts.com.au](http://www.rainbowpoolproducts.com.au)