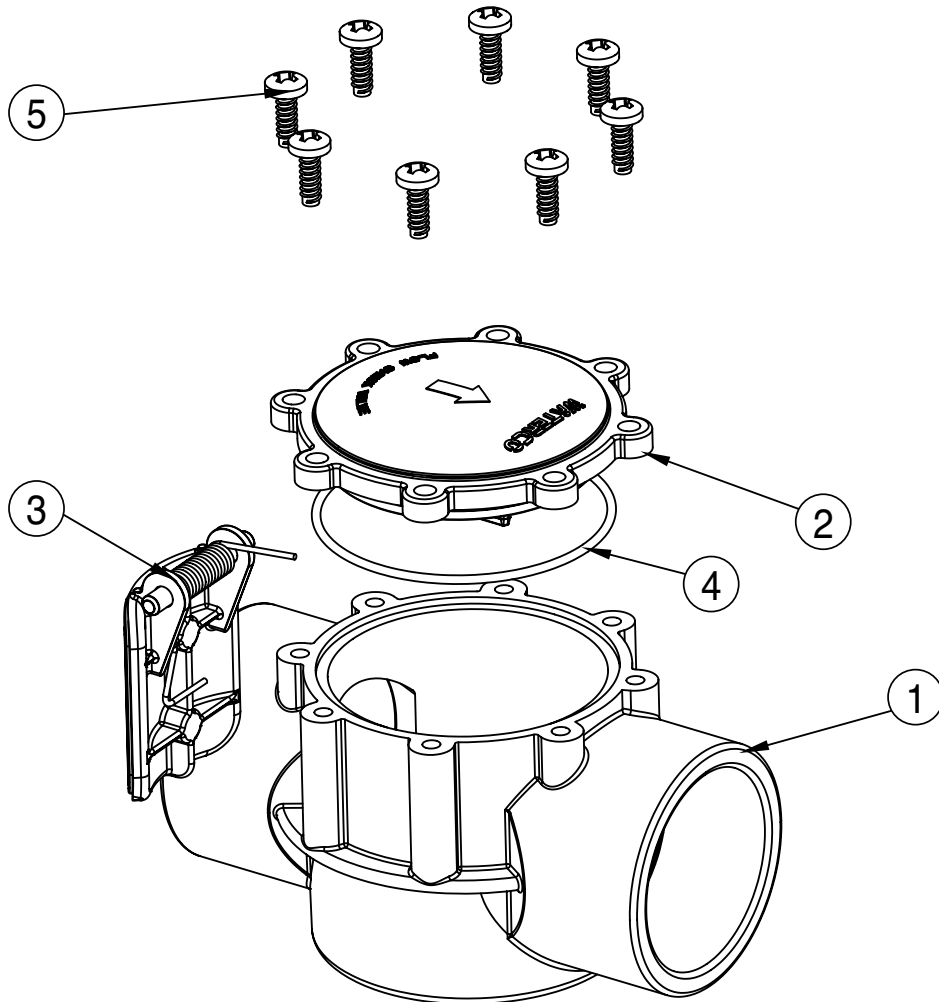


FLOW CHECK VALVE

(For product codes 14641, 146419, 14651 & 146519)

Part Number	Product Description	Diagram Number
N/A	40/50mm Valve Body	1
N/A	50/63mm Valve Body	1
14876	Lid & Flapper Assembly	2, 3 & 4
663393	Waterco 2/3 way valve lid O ring	4
663381	Screw TY - B 6.25 x 18.8mm (8 required)	5



Rainbow Pool Products

PO Box 2388, Mansfield Qld 4122

Telephone STD 61-7-3849 5385

Facsimile STD 61-7-3849 5384

Email: info@rainbowpoolproducts.com.au

Web: www.rainbowpoolproducts.com.au