



Quality Pool & Spa Products

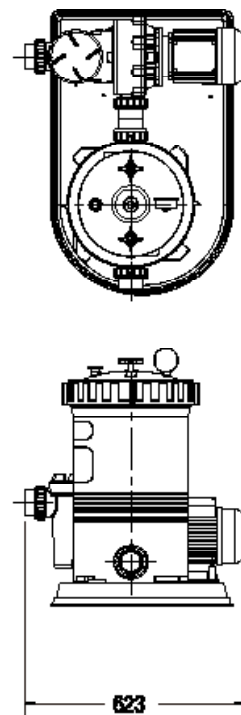
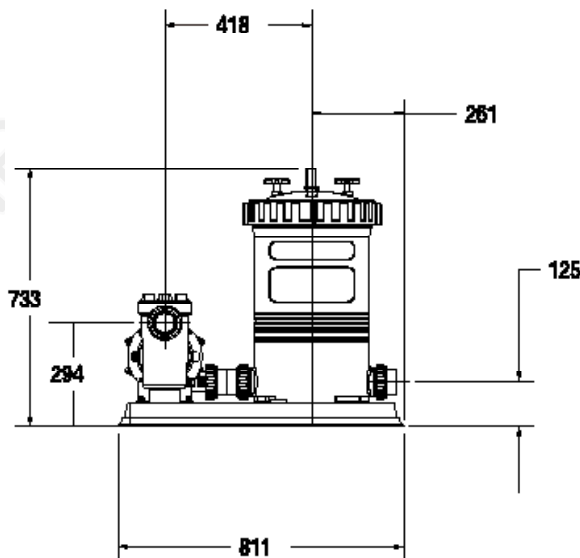
OPAL CARTRIDGE FILTER + TURBOTUF PUMP SKID PACK

(2.0 Bar pressure rating)



Code	Description		
378135100	Opal 135 + TurboTuf 100	135 sq.ft	10 years
378135125	Opal 135 + TurboTuf 125	135 sq.ft	conditional
378135150	Opal 135 + TurboTuf 150	135 sq.ft	tank
378180150	Opal 180 + TurboTuf 150	180 sq.ft	warranty

For ease of installation, Waterco now manufactures filtration skids which incorporate an Opal filter with a TurboTuf pump mounted on a sturdy skid base.





Code	Description	
379135100	Opal 135 + TurboTuf 100 + MultiCyclone	135 sq.ft
379135125	Opal 135 + TurboTuf 125 + MultiCyclone	135 sq.ft
379135150	Opal 135 + TurboTuf 150 + MultiCyclone	135 sq.ft
379180150	Opal 180 + TurboTuf 150 + MultiCyclone	180 sq.ft

For ease of installation, Waterco now manufactures filtration skids which incorporate an Opal filter with a TurboTuf pump and MultiCyclone mounted on a sturdy skid base.

