

# Ecoskim<sup>TM</sup>

## Installation Instructions



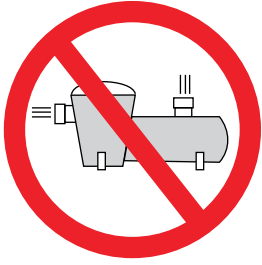
### Parts List

	x 1	Main body		x 5	Lugs (one spare)
	x 1	Fixed plate		x 2	Elbow
	x 1	Floating weir		x 1	Floor cleaner valve
	x 1	Basket		x 1	Floor cleaner adapter
	x 1	Threaded pipe		x 2	Hose cuff
	x 1	Bung		x 1 @ 1500mm	Connection Hose
	x 3	Nut		x 2	Adhesive Pads
	x 1	Expanding clamp		x 1	Rubber seal

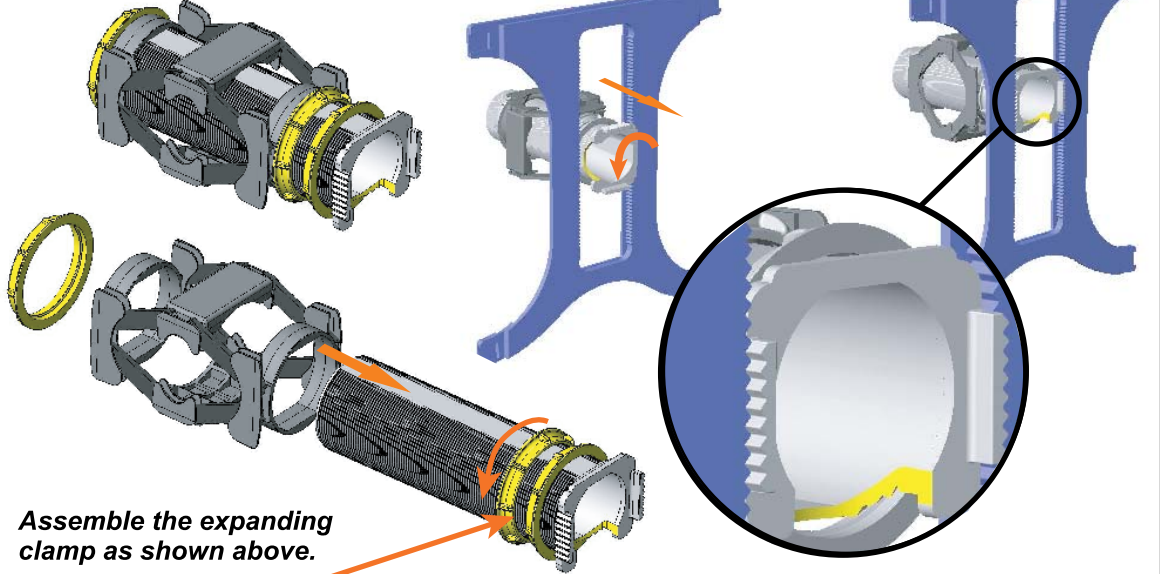
# 1.

## IMPORTANT

Unplug Pump and Timer before Installation



# 2. BUILD THE MOUNTING ASSEMBLY



Assemble the expanding clamp as shown above.

**Note.** Spin the nuts onto the threaded pipe paying particular attention to the direction that each of the nuts are facing.

**Note.** Stick adhesive rubber pads to expanding clamp pads.

Insert the expanding clamp assembly into the fixed plate and turn to locate into position.

**Note.** Check the position of the cutout relative to the fixed plate.(highlighted yellow.)

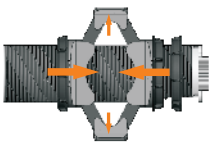
**Note.** locking nut should only be tightened after correct mounting position is found. (see step 3.)

# 3. POSITION AND ADJUST MOUNTING BRACKET TO SUIT YOUR SKIMMER

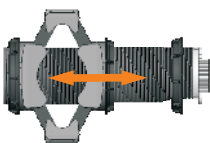
The mounting bracket has a wide range of adjustment to cater for varying skimmers.



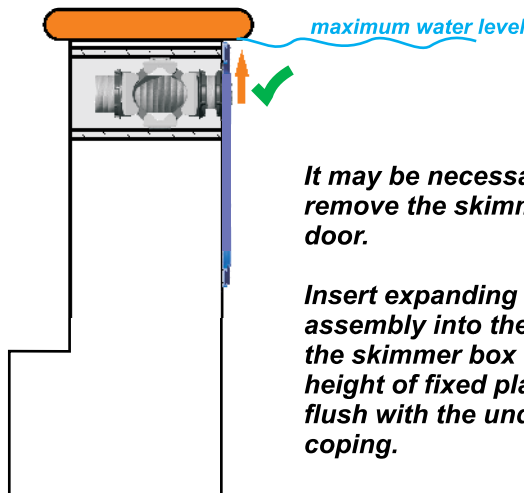
Compress the clamp for easy insertion into skimmer.



The clamp expands as distance between nuts is reduced.

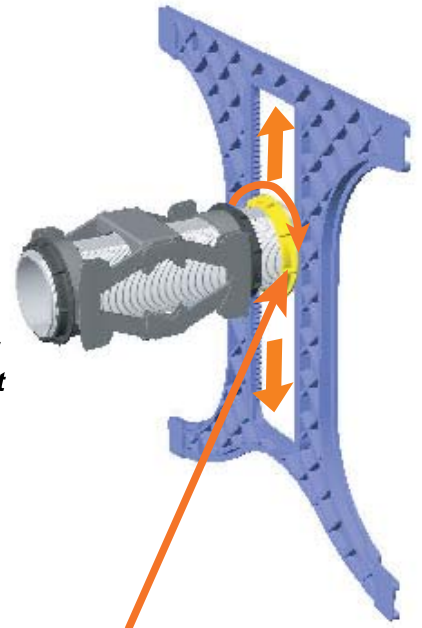


The expanding clamp can be adjusted along the full length of the threaded pipe. This will allow you to position the pads to suit your skimmer mouth.



It may be necessary to remove the skimmer box door.

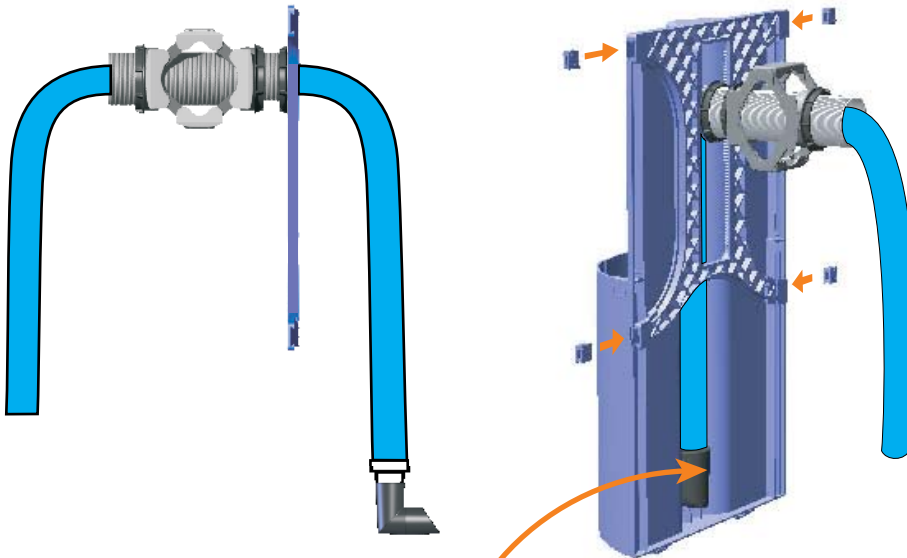
Insert expanding clamp assembly into the centre of the skimmer box and adjust height of fixed plate so it is flush with the underside of coping.



**Note.** It is not necessary to tighten the clamp assembly at this stage, this will be done when the unit is fully assembled, however you should check whether full extension will grip firmly inside the skimmer box.

Remove assembly from skimmer box and tighten lock nut.(highlighted yellow.)

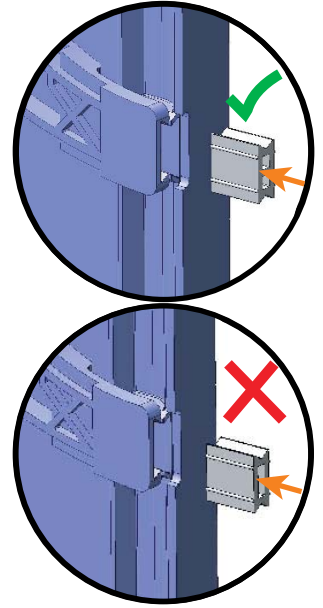
#### 4. ATTACH ECOSKIM TO ADJUSTED MOUNTING BRACKET



Feed hose through threaded pipe and firmly attach elbow.

Secure Ecoskim to mounting bracket using supplied lugs.

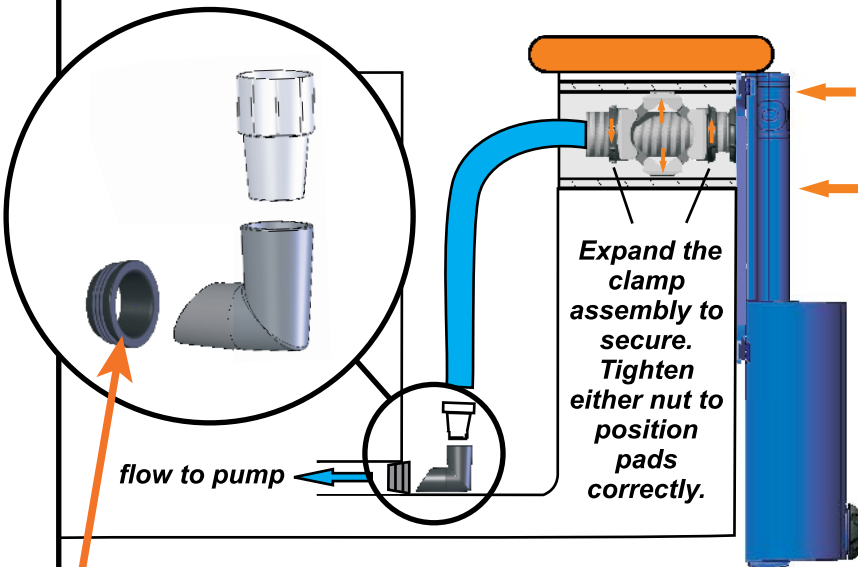
Locate elbow into the back of the Ecoskim.



**Note.** correct lug orientation.

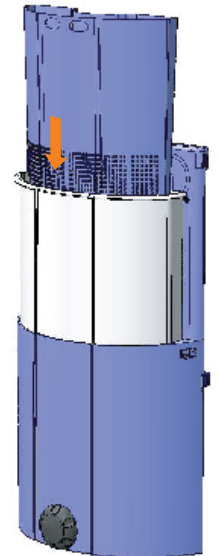
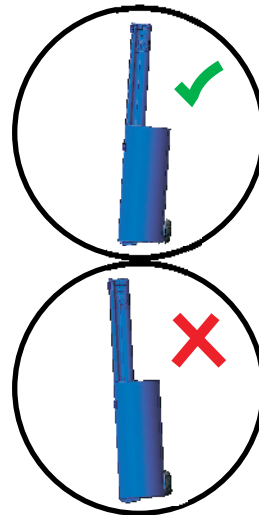
The lugs should be inserted as shown in the top diagram above. This will assist with removal if required later

#### 5. INSTALL COMPLETED ASSEMBLY INTO SWIMMING POOL



flow to pump

Expand the clamp assembly to secure. Tighten either nut to position pads correctly.



Ensure pump is off. Place rubber seal into suction pipe at bottom of filter well securely. Push elbow into rubber seal firmly ensuring that it is pointing upright. Thread hose cuff onto connection hose (left hand thread) and push firmly into elbow.

**Note.** In most cases the existing leaf basket and vacuum plate should now be removed even if a floor cleaning device is to be used. (see floor cleaner section for details.) Insert completed assembly into the skimmer mouth and tighten. (see above.) Important note. In most cases when installing the connecting hose it must be inserted directly into the existing skimmer. box pipe work

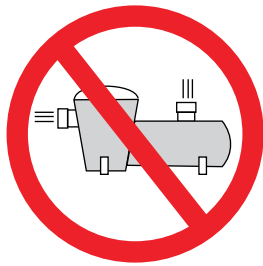
Once installed the Ecoskim must be vertical or have the top tilted slightly out from the wall. (see above).

Install basket and floating component. The floating component will now automatically adjust to water level.

### 1. DISABLING PUMP

#### IMPORTANT

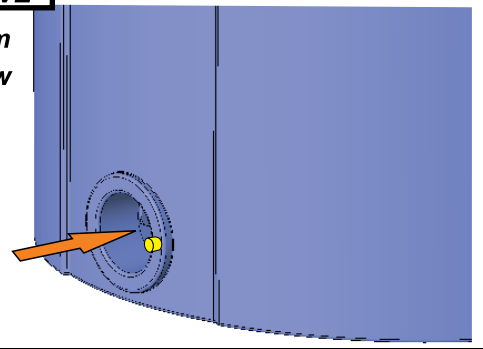
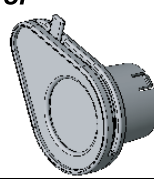
Unplug Pump and Timer before Installation



### 2. INSTALLING SAFETY VALVE

Remove Bung from Ecoskim

**Note:** Lug highlighted yellow must fit into curved slot on back of floor cleaner valve. (this will allow for floor cleaner adjustment)

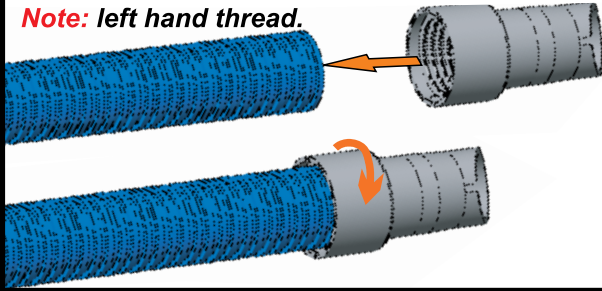


### 3. THREADING HOSE CUFF

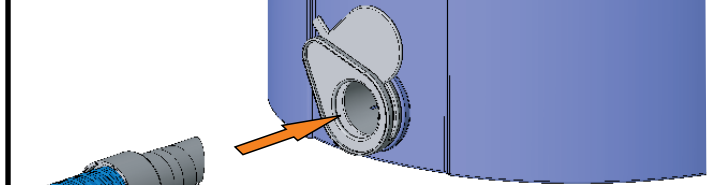
Can be used with manual or automated system.

Screw floor cleaner adaptor onto floor cleaner hose.

**Note:** left hand thread.



### 4. ATTACHING FLOOR CLEANER



**Note:** cutout secures adaptor in only one position

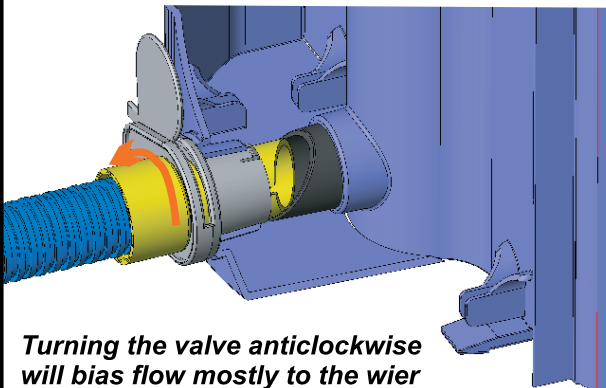
Lift gate in valve

Turn adaptor until fully inserted.

### 5 VALVE OPERATION

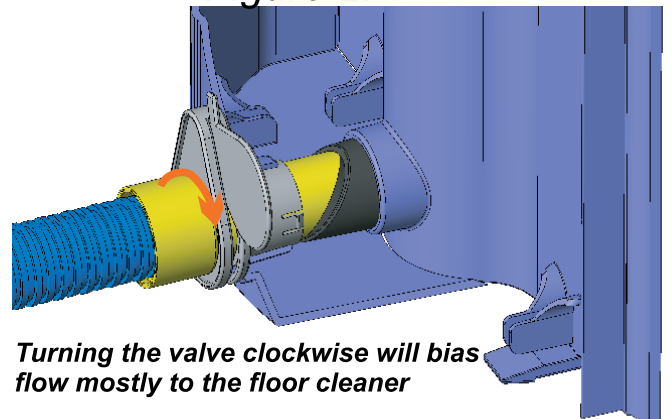
This valve allows you to balance flow between the ecoskim and the floor cleaner by turning valve and adaptor assembly.

Figure 1.



Turning the valve anticlockwise will bias flow mostly to the wier

Figure 2.



Turning the valve clockwise will bias flow mostly to the floor cleaner

**MANUAL FLOOR CLEANING** - When cleaning your pool manually (hand held system), maximum flow should be adjusted by turning the entire valve fully clockwise (see Figure 2.) **Warning:** remove manual cleaner on completion; ensure hose cuff safety valve is closed.

**AUTOMATIC FLOOR SUCTION CLEANING** - Turn on pump. Place automatic floor suction cleaner in the deepest part of your pool. Turn entire valve assembly slowly clockwise until cleaner begins to operate. For a faster option turn clockwise (see Figure 2.) For slower operation, turn anticlockwise (see Figure 1.)

**THANK YOU FOR PURCHASING AN ECOSKIM.** Ecoskim has been invented, designed and manufactured in Australia, by Australians, to suit Australian conditions. In an attempt to continue to develop this innovative product, we would welcome any feedback or comments to [enquiries@ecoskim.com.au](mailto:enquiries@ecoskim.com.au)

**ECOSKIM OPERATIONAL ADVICE** - For effective operation of the Ecoskim, ensure pool suction floor cleaner and filtration systems are in good working order. For example, floor cleaner, pump and baskets are clear of debris, filter backwashed and filtration system leak free. **Please be aware that any debris picked up by your floor cleaner will go directly to the pump basket. If your pool has a high amount of debris, it could be necessary to install an on-line leaf catcher.**

**NOTE-** Clearing debris from surface of pool is a more efficient filtration process than allowing the debris to drop to the floor.