



Rainbow Pool Products

PO Box 2388, Mansfield Qld 4122

Telephone STD 61-7-3849 5385

Facsimile STD 61-7-3849 5384

Email: info@rainbowpoolproducts.com.au

Web: www.rainbowpoolproducts.com.au

WATERCO
water, the liquid of life

Digiheat

Digiheat inline electric heaters are versatile, easy to use and built to last. Program your desired water temperature and let Digiheat do the rest.

- Digital temperature management & self diagnosis
- Corrosion resistant heating element
- Streamline weather proof housing
- Available in sizes 2.4, 3.6, 4.8, 6.0, 18 & 24 kW



30
years
Since 1981

www.waterco.com

Digiheat

Digiheat electric heaters incorporate the latest technology, advanced composite materials and inbuilt safety devices for long lasting dependability. Digiheat heaters are easily installed on the floor*, wall or along pipe work.

1. Streamline non corrosive, uv stabilised housing.
2. Digital temperature display & self-diagnosis.
3. Simple 4 button programming.
4. Built-in over temperature safety sensor to prevent overheating.
5. Adjustable pressure switch to suit individual installation requirements.
6. Polymer coated incolloy heating element for improved corrosion resistance.
7. Quick connect unions for ease of installation and maintenance.

*Three phase models require wall mounting or along pipework



Single Phase



Available in sizes 2.4, 3.6, 4.8 & 6.0 kW
for single phase 240Volts

Three Phase



Available in sizes 18 & 24 kW
for 3 phase 415Volts

Polymer coated heating elements

Digiheat's heating elements are available with a Polymer coating that offers outstanding corrosion resistance. The coating also extends the product life and improves its heating efficiency.

Polymer coated heating elements have a longer life expectancy than standard heating elements.



Temperature management & self-diagnosis

The desired water temperature is easy to set and the current pool temperature is shown in the LED display.

Digiheat's digital control panel provides a continuous digital pool temperature display and incorporates a self diagnosis system. In the event of a problem, the control panel will display diagnostic error codes.



Inbuilt protection

The integrity and performance of your pool heater and its components are protected by built-in safety devices

- **Auto flow switch** to shutdown the system in the event of no water flow.
- **Built-in over temperature** safety sensor to prevent overheating



Specifications

Code	DigiHeat Model	Volts	Current Draw	Minimum Circuit Size	Connection Size
281024	2.4 kW	240 Volts (single phase)	10 A	15 A	40mm
281036	3.6 kW	240 Volts (single phase)	15 A	20 A	40mm
281048	4.8 kW	240 Volts (single phase)	20 A	25 A	40mm
281060	6.0 kW	240 Volts (single phase)	25 A	30 A	40mm
281183	18.0 kW	415 Volts (three phase)	25 A	30 A	50mm
281243	24.0 kW	415 Volts (three phase)	35 A	40 A	50mm

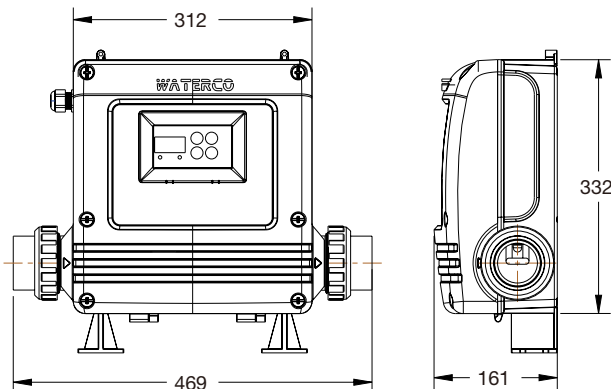
Complies with EN60335.260 and AS3136/NZS6232

Model kW	Time required to heat 1000 litres by 1 deg C in minutes:	Time required to heat 1000 litres by 5 deg C in minutes:
2.4kW	31	155
3.6kW	22	103
4.8kW	15	77
6kW	9	46
18kW	4	20
24kW	3	15

*The above is a only a guide and is dependent upon other factors such as heat loss and ambient conditions at the time of operation.

Dimensions

Single phase model



Three phase model

