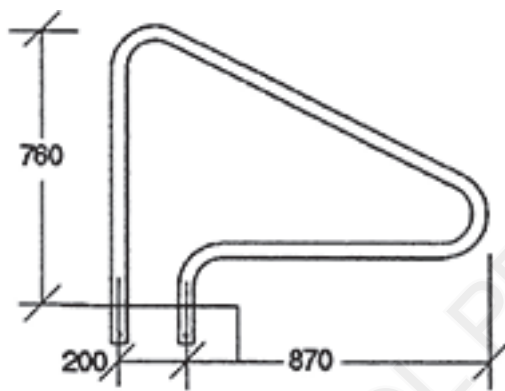


## RESIDENTIAL GRAB RAILS - MODEL HD

### Model HD Deck Mount Grab Rail (Single)



#### Code

#### Description

PDA709  
PDA710

For Vinyl Lined and Fibreglass pools & spas with entry steps.

HD Standard for concreting in  
HD Flanged for Bolting on

## SPECIFICATIONS

### Model HD Deck Mount Grab Rail (Single)

The Pooldeck HD Hand Rail has been designed for swimming pools with a fibreglass shell, vinyl liner or one that has steps. This is a very versatile product. Available with a welded flange with cover plates or standard.

**Material:** Stainless Steel 38 mmø mirror polished

**Standard:** The legs are 100mm longer which allows you to set the grab rails in concrete or epoxy.

**Flanged:** A flange allows you to fix the grab rails to the pool deck using bolts and loxins or similar (3 bolts and 3 loxins per flange).