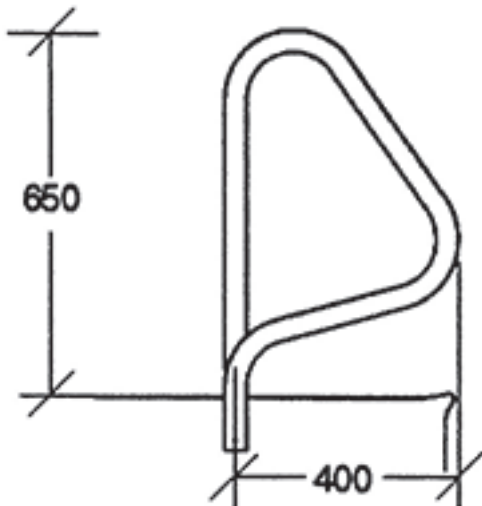


RESIDENTIAL GRAB RAILS - MODEL G5

Model G5 Coping Mount Grab Rails (Pair)



Code	Description
	In Line, suitable for Residential pools with narrow surround.
PDA707	G5 Standard for concreting in
PDA708	G5 Flanged for Bolting on

SPECIFICATIONS

Model G5 Coping Mount Grab Rails (Pair)

The Pooldeck G5 Grab Rails are an in line styled rail. The legs are side by side. It has been designed for the swimming pool that has vertical steps in the wall with a narrow coping or pool deck. Available with a flange with cover plates or standard.

Material: Stainless Steel 38 mmø mirror polished

Standard: The legs are 100mm longer which allows you to set the grab rails in concrete or epoxy.

Flanged: A flange allows you to fix the grab rails to the pool deck using bolts and loxins or similar (3 bolts and 3 loxins per flange).