



Rainbow Pool Products

PO Box 2388, Mansfield Qld 4122

Telephone STD 61-7-3849 5385

Facsimile STD 61-7-3849 5384

Email: info@rainbowpoolproducts.com.au

Web: www.rainbowpoolproducts.com.au

Legend[®] 
Pressure Side Pool Cleaner



Installation and User's Guide

IMPORTANT SAFETY INSTRUCTIONS
READ AND FOLLOW ALL INSTRUCTIONS
SAVE THESE INSTRUCTIONS

Customer Service

If you have questions about ordering Pentair Water Pool and Spa ("Pentair") replacement parts, and pool products, please use the following contact information:

Customer Service / Technical Support – USA (8 A.M. to 4:30 P.M. — Eastern and Pacific Times)

Phone: (800) 831-7133

Fax: (800) 284-4151

AUSTRALIA – (8:30 A.M. to 5:30 P.M. — EST)

Phone: **1300 137 344**

Web Site

visit www.pentairpool.com / www.staritepool.com / www.pentairpooleurope.com
to find information about our products

Declaration of Conformity

We declare, under our sole responsibility, that the product identified in this declaration, and to which this declaration relates, are in conformity with the protection requirements of Council Directive 98/37/EEG



Manufacturer: Pentair Water Pool and Spa, Inc.

© 2011 Pentair Water Pool and Spa, Inc. All rights reserved.

This document is subject to change without notice.

1620 Hawkins Ave., Sanford, NC 27330 –USA • (800) 831-7133 • (919) 566-8000

10951 West Los Angeles Ave., Moorpark, CA 93021 – USA • (800) 831-7133 • (805) 553-5000

Pentair Water Australia • 1-21 Monash Drive • Dandenong South • Victoria 3127 – Australia

+61 9709 5800

Trademarks and Disclaimers: Legend® and Pentair Water Pool and Spa® are trademarks and/or registered trademarks of Pentair Water Pool and Spa, Inc. and/or its affiliated companies in the United States and/or other countries. Unless noted, names and brands of others that may be used in this document are not used to indicate an affiliation or endorsement between the proprietors of these names and brands and Pentair Water Pool and Spa, Inc. Those names and brands may be the trademarks or registered trademarks of those parties or others.

IMPORTANT WARNING AND SAFETY INSTRUCTIONS



Important Notice:

Attention Installer: This guide contains important information about the installation, operation and safe use of this product. This information should be given to the owner and/or operator of this equipment after installation of the pool cleaner.


Attention User: This manual contains important information that will help you in operating and maintaining this pool cleaner. Please retain it for future reference. Consult Pentair with any questions regarding this equipment.



WARNING

— Before installing this product, read and follow all warning notices and instructions which are included. Failure to follow safety warnings and instructions can result in severe injury, death, or property damage. Call (800) 831-7133 [USA] or {Herentals – Belgium +32 (0) 14.25.99.11} for additional free copies of these instructions.

Consumer Information and Safety

The Legend® pool cleaners are designed and manufactured to provide many years of safe and reliable service when installed, operated and maintained according to the information in this manual. Throughout the manual, safety warnings and cautions are identified by the “” symbol. Be sure to read and comply with all of the warnings and cautions.



WARNING

— **Hazardous suction.** Do not play with cleaner or hose or apply to body. Can trap and tear hair or body parts. Hose can trip or entangle swimmers which could result in drowning.



WARNING

— **Suction entrapment, injury, and drowning hazard.** If your pool has a dedicated suction port (“vac port”) for vacuuming or for an automatic pool cleaner, **it must be covered when not in use.** A spring loaded safety cover (a “vac port fitting”) is included with your cleaner. Install it on the suction port to prevent entrapment and injury. If the cover does not fit, purchase one that dose from your local pool store and install it instead. The cover should conform to IAPMO SPS-99A.



WARNING

— **Stop pump** before attempting to clean unit. Do not allow swimmers in pool while cleaner is operating.



WARNING

— To reduce the risk of injury, do not let children use or play with pool cleaner.



WARNING

— Do not allow swimmers in the pool while pool cleaner is operating. Hose can trip or entangle swimmers which could result in drowning.



CAUTION

— Moving parts may injure hands or fingers. **Stop pump** before attempting to clean out pool cleaner head.



DISCLAIMER OF LIABILITY

Important Notice About Your Pool and Legend® Cleaner:

There are a multitude of factors that contribute to the life of your pool. The Legend® automatic pool cleaner is a very passive product that will have no impact on pool life.

Please be aware that over time, deterioration, discoloration and brittleness of any pool finish can be caused separately by, or in combination with, age, an imbalance in pool water chemistry, improper installation and other factors. An automatic pool cleaner, such as the Legend®, will not remove or cause wear on “good” pool plaster. In fact, the opposite is true—pool plaster will eventually cause wear on the cleaner.

The same situation holds true for vinyl-lined inground swimming pools, because vinyl liners are also affected by the environment and factors such as pool water chemistry, sunlight and the pool’s surroundings.

Therefore over time, vinyl can become brittle and weak. In addition, vinyl-lined pools are affected by the workmanship, composition and installation of the liner and the workmanship and quality of construction of the supporting walls and pool base. These are all factors which can contribute to liner failure. The existence of any of these type of conditions in your pool is not caused by the use or operation of the Legend® cleaner.

Pre-installation Check List

Before installing your cleaner, review and understand all warnings and safety information in this guide. Failure to follow these instructions or improper installation of the cleaner can result in damage to the pool finish or the vinyl liner, Pentair Water Pool and Spa, Inc. disclaims any liability for repairs or replacement to any of these structures or components of the customer’s pool.

Before installing the cleaner in a vinyl liner pool:

Before installing the pool cleaner, examine the interior of your pool carefully. Check liner closely for signs of deterioration or damage from age, chemicals, pool wall damage, etc. If any damage is found, have a qualified pool professional make all the necessary repairs. Also, if your vinyl liner is brittle or has stones, wrinkles, roots or metal corrosion in contact with the underside of the liner, or has damage to the base or supporting walls, do not install the pool cleaner before having a qualified professional perform the necessary repairs.

Before installing the cleaner in a gunite pool or a pool that is partially or completely tiled:

Before installing the pool cleaner in a gunite pool or pool that is partially or completely tiled; check closely for loose tiles and loose light fittings. Do not install the pool cleaner before having a qualified professional perform the necessary repairs.

Before installing the cleaner, clean your filter system:

Make sure you have cleaned the filter, including backwashing, rinsing, and emptying all baskets. A clean system is necessary for proper cleaner operation and coverage.

Before installing the cleaner, fill the hose with water:

Always make sure the cleaner head is submerged and the hose is full of water before connecting the hose to the filtration system (whether through a skimmer or dedicated wall fitting). Air in the system can damage the pump through dry running and overheating.

Before installing the cleaner, understand cleaner coverage:

The cleaner is designed to rid your pool of debris in approximately 4-6 hours. Less time could be needed, depending on the pool size. The cleaner was not designed to automatically clean steps or swimouts or to work under a solar cover. It was also not designed to do initial cleanup for a new pool or when opening your pool for the season.

AFTER installing the cleaner, make sure the cleaner is operating correctly:

The cleaner may need some minor adjustments to make sure it is operating properly so there is no damage to the pool finish. Certain vinyl liner patterns are particularly susceptible to surface wear, pattern removal, ink rubbing off of, or serious scratches to the pattern caused by objects coming into contact with the vinyl surface, including automatic pool cleaners. Pentair Water Pool and Spa, Inc. is not responsible for any pattern removal, abrasions or markings on vinyl liners.



LL505G LL505GG

Important Information:

The Legend® automatic pool cleaner comes ready to connect into a female threaded 1-1/2" (38mm) line, dedicated to our Universal Booster Pump. Also, if you have a chlorinator, solar system or other air inducing equipment, please contact our Technical Support Department at 1-800-831-7133 [USA] or {Herentals – Belgium +32 (0) 14.25.99.11}, before you install the Legend®. (See diagram on [Page 8](#).)

The following are important facts to remember before installing and operating the Legend®.

1. Always disconnect the Legend® from the pool wall when cleaning or back washing the pool filter.
2. After cleaning or back washing, let the filtration system run for at least five minutes before reconnecting the Legend®.
3. New plumbing lines should be flushed out before installing the Legend®.
4. The Legend® should not be used to remove plaster dust in new pools.
5. Always remove the Legend® before swimmers enter the pool.
6. Always handle the Legend® with care. Do not let children or pets play with the unit: it is not a toy.
7. Always pick up the Legend® by the handle, especially when lifting the unit out of the water.
8. Unless checking the wheel RPM, do not handle the Legend® while it is operating.
9. Always remove the Legend® from the pool before chemical shock treatments. As a rule, any pool water that is unsafe for swimming is unsafe for the Legend®.
10. Carefully cut the feed hose following the instructions on [Page 9](#).

By following these simple guidelines, you can help protect against injury and prolong the life of your Legend®.

Before the Legend® is installed, please take a moment to record the serial number. This number is located on your warranty card and on the back of the Legend® near the rear jet. You will be asked for this number when you contact our Technical Support Department.

SERIAL # _____

TABLE OF CONTENTS

Important Warning and Safety Instructions	3
Disclaimer of Liability	4
Important Information	5
I. Introduction	7
A. Thank You for Choosing the Legend®	7
B. What to Expect from the Legend®	7
II. Installation Instructions	8
A. Legend® Components	8
B. Pool Connections	8
C. Booster Pump Installation	8
D. Installing the Twist Lock Pressure Relief Valve (Wall Fitting)	9
E. Cutting the Feed Hose	9
F. Checking Operation	13
G. Fine Tuning the Legend®	13
1. Thrust Jet Adjustment	13
2. Sweep Hose Adjustment	13
3. Checking Wheel RPM	14
III. Operation & Periodic Maintenance	14
A. Connecting/Disconnecting the Legend®	14
B. Turning the Legend® On/Off	14
C. Cleaning the Sand & Silt Bag	15
D. Periodic Maintenance	15
1. Wall Fitting Screen	15
2. Tires & Bearings	16
3. Roller Rings	16
4. Debris Bags	16
5. Sweep Hose	16
6. Debris Valve	16
E. Back Washing the Pool Filter	16
F. Storage and Winterizing	16
G. Accessories	17
1. Sweep Hose Weight	17
2. Leaf Bag	17
3. Suction Cup Tires	17
IV. Troubleshooting	18
Legend® Parts List	19
Legend® Exploded View	21

I. Introduction

A. Thank You for Choosing the Legend® Pool Cleaner

Congratulations on the purchase of your new automatic pool cleaner. The Legend® is designed to give you years of dependable and efficient service. With the Legend®, you and your family will spend more time relaxing and enjoying your pool and less time cleaning it.

The Legend® has been designed and built with time proven features and innovations to create an automatic pool cleaner that will give you years of dependable service. The Legend® is built with pride by people who care about the product using state of the art materials and backed by a limited warranty that protects against defects in parts and construction.

Like any mechanical device, the Legend® requires some preventative maintenance and the replacement of certain hard working parts. We recommend that you have your Legend® checked annually. For best results have your Legend® installed by a qualified swimming pool professional.

For pool owners with plumbing and mechanical experience, installation instructions are included in this manual.

Please put safety first! Be sure to take your Legend® out of your pool and store it carefully in a shaded area before anyone enters the pool.

B. What to Expect from the Legend®

When operating correctly, the Legend® will travel randomly throughout the pool, vacuuming and sweeping the bottom. The climbing ability of the Legend® is dependent on the pools shape. It will climb better in pools without sharp angles or curves in the transition from the pool floor to the pool wall.

The Legend® comes equipped with a Wall Fitting (Part# EW22/LLW22PM) that features a Twist Lock Automatic Pressure Relief Valve. If the Legend® is receiving too much water pressure to the unit, the relief valve can be manually adjusted to reduce water pressure.

Approximately every three minutes and 30 seconds the Legend® will go into a back up mode. At this time the Back Up Valve will pull the Legend® away from it's current location increasing it's random pattern.

The Sweep Hose operates in a gentle sweeping motion to prevent debris from becoming trapped in hard to reach corners of the pool.

II. Installation Instructions

A. Legend® Components

The Legend® Box Contains:

1. Cleaner Head
2. Sand & Silt Bag
3. Sweep Hose (Attached to Cleaner Head)
4. Complete Feed Hose
 - a. 1 - 8½" (22 cm) hose
 - b. 2 - 10' (3 m) white (hard) hoses
 - c. 1 - 30" (75 cm) soft hose / 1 - 7.5' (2,3 m) soft hose
 - d. 10 - Floats
 - e. 3 - Swivels
 - f. 1 - Back-up Valve
 - g. 10 - Mender Nuts
 - h. 1 - Wall Fitting Complete

B. Pool Connections

The Legend® comes equipped to connect to a female threaded 1-1/2" (38mm) line, dedicated to our Universal Booster Pump.

Also, if the pool doesn't have a dedicated cleaner line, please contact our Technical Support Department at 1-800-831-7133 [USA] or {Herentals – Belgium +32 (0) 14.25.99.11}.

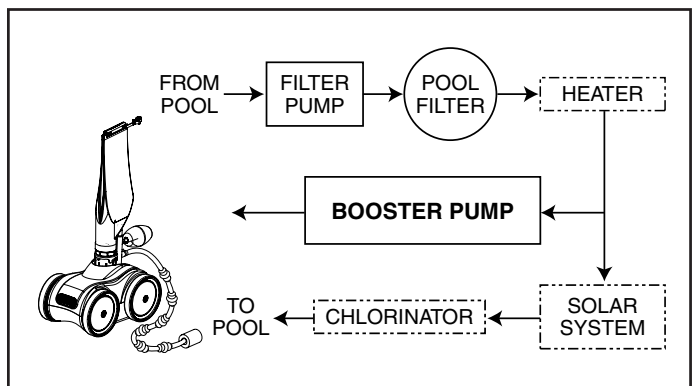
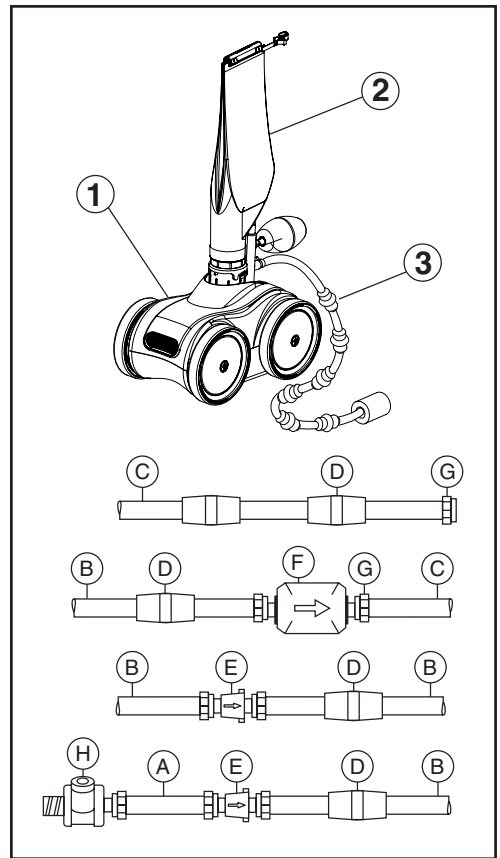
C. Booster Pump Installation

If you already have a 3/4 horsepower booster pump installed at your equipment pad and it is operational, skip this section and proceed to Installing the Twist Lock Pressure Relief Valve (Wall Fitting).

Detailed booster pump installation instructions are packaged separately in our booster pump box.

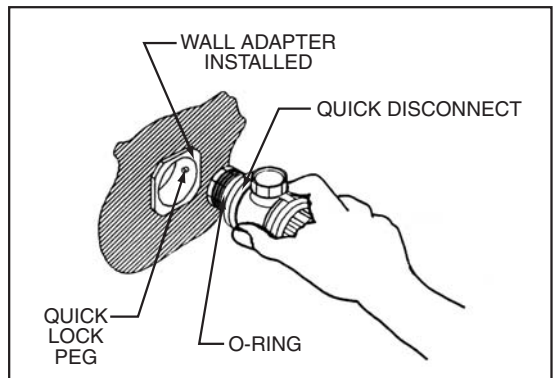
Please follow these instructions carefully.

The booster pump is not self-priming and needs to be fed with water taken from the pool filter before any type of in-line chlorinator.



D. Installing the Twist Lock Pressure Relief Valve (Wall Fitting)

1. Take out any existing pool cleaner and/or wall fitting.
2. Turn on the filtration pump and booster pump, flush out the plumbing line.
3. Turn off filter pump and booster pump.
4. Remove the Wall Adapter from the Wall Fitting and screw Adapter by hand into the dedicated line. Turn until tight.
5. Take the Wall Fitting and Twist Lock the Wall Fitting into the Wall Adapter 1/4 turn and pull out; to a snug fit. Once the Wall Adapter is secure, you can now twist lock and unlock to remove Wall Fitting with ease from the Wall Adapter.

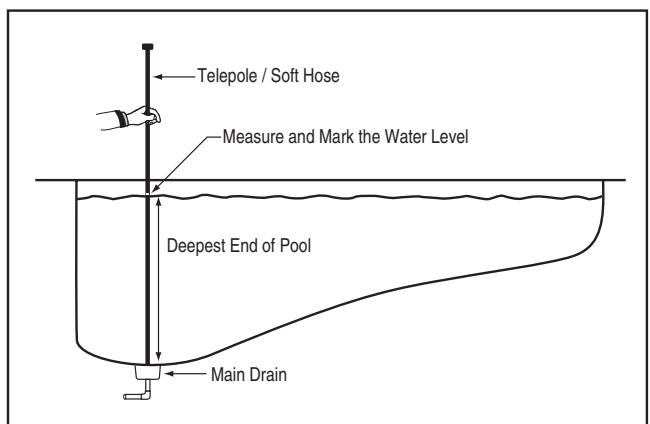


E. Cutting the Feed Hose (See Hose Diagrams on Page 10)

The Hose assembly comes in 5 sections now covering approximately 30 ft. (9 m) of the pool, which provides ample hose for most residential pools. The Back-Up Valve is now 30" (75 cm) from the head cleaner and should always remain this distance. For larger pools, see #14 on Page 12 for instructions on *Adding Additional Feeder Hose*.

1. Take Feeder Hose out of box (it will be approximately 30 feet [9 meters] long). Before installing the unit, you should lay the feed hose out straight in the sun, (for one day if possible). The hose has been curled up in the box and sometimes will go around in a circle. If this happens, take the first or second section of hose from the wall and reverse it, (turn it around). You might have to reverse both sections to correct the problem. Make sure the feed hose is cut and installed properly.
2. Measure how deep your pool is by using your telepole or the clear end of the feeder hose. Cut the soft hose equal to the depth of your pool. (Hint: the grate or domed main drain at the bottom is usually the deepest point.)

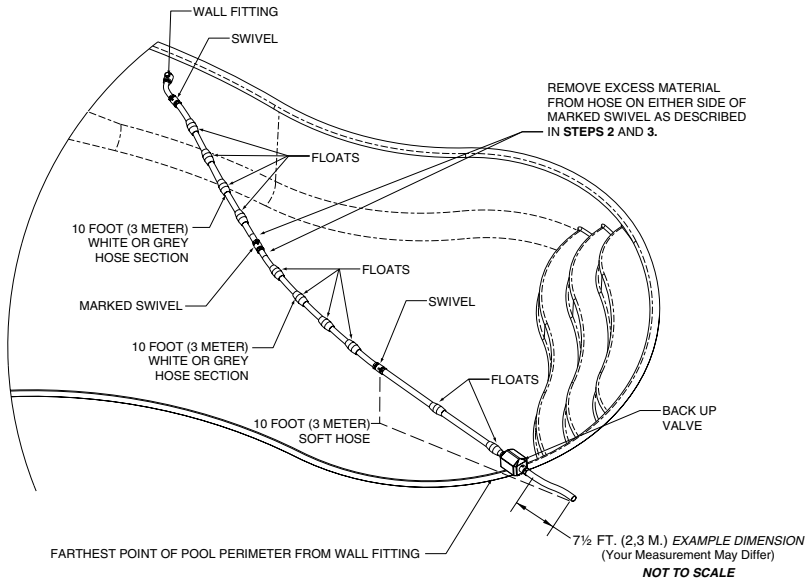
Example: The soft hose is 10 ft. (3 m) long, if the pool is 8½ ft. (2,5 m) deep, cut 1½ ft. (0,5 m) off of the soft hose. If the depth is greater than 10 ft. (3 m), do not cut the soft hose.



EXAMPLE OF HOSE ASSEMBLY BEFORE CUTTING TO LENGTH

STEPS

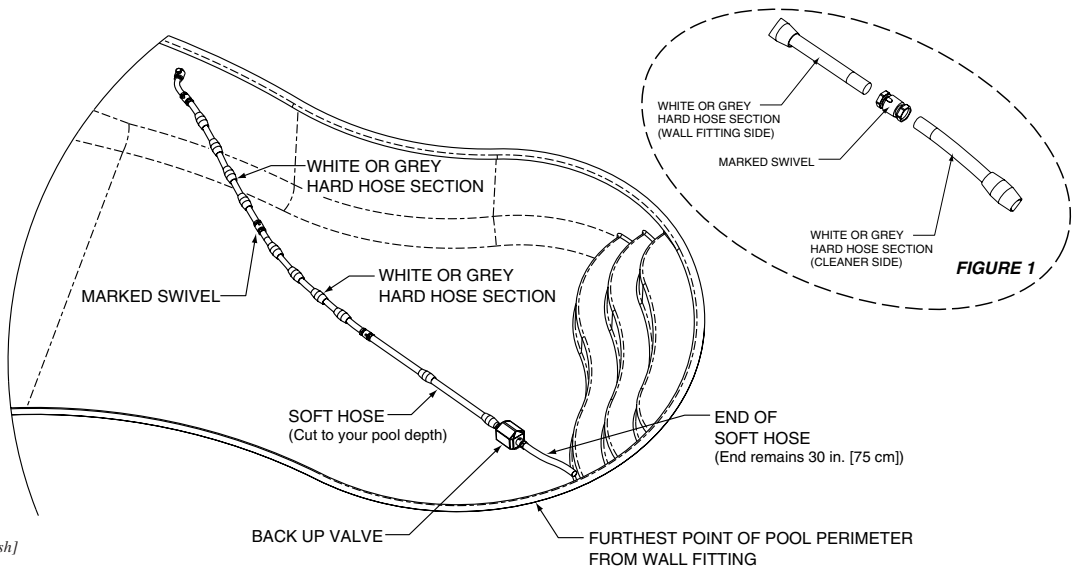
1. With the feed hose assembly attached to the pool wall, hold the feed hose assembly by the opposite end with the soft hose and walk the perimeter of the pool to locate the farthest point on the perimeter from the wall fitting without stretching the hose assembly.
2. Measure the distance that the hose assembly extends beyond the pool perimeter farthest point located in **Step 1** — (7½ ft. [2,3 m] in this example).
3. Cut half of the length obtained from **Step 2** — (3¾ ft. [1 m.] in this example), equally from each of the 10 foot (3 meters) lengths of white or grey hose on either side of the marked swivel.



EXAMPLE OF FINISHED HOSE ASSEMBLY AFTER CUTTING TO LENGTH

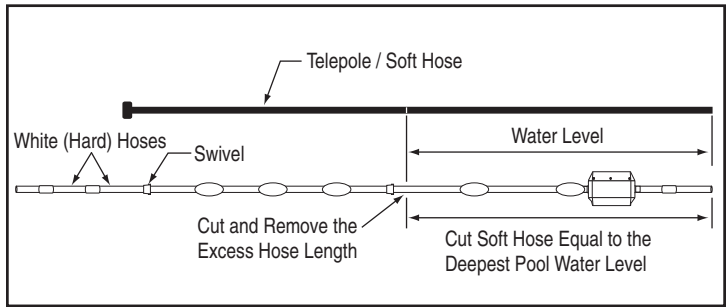
STEPS

4. Reassemble the hoses using the supplied mender nuts as shown in **FIGURE 1**.
5. Your complete finished hose assembly should look like this. The end of the 30 inch (75 cm) soft hose should reach just to the furthest edge of the pool perimeter as shown.



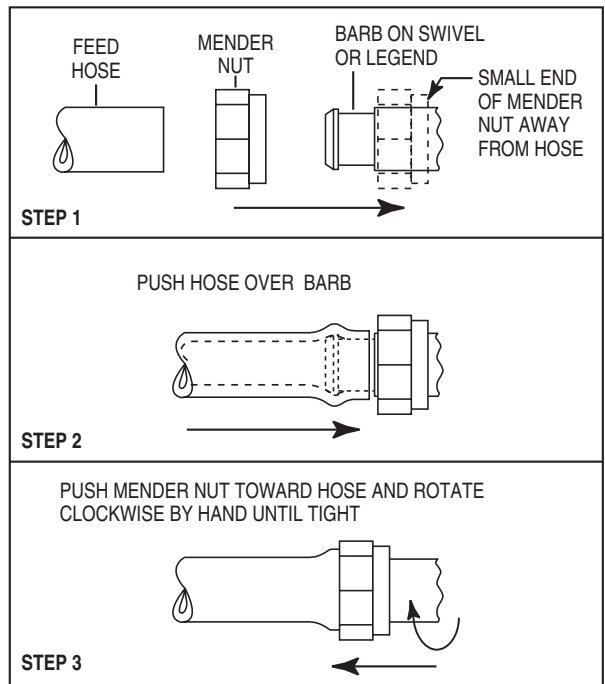
E. Cutting the Feed Hose - (cont.)

3. Lay the telepole next to the soft hose. If the clear soft hose is longer than the mark on the telepole, cut the excess from the end attached to the white (hard) hose. Do not cut off the float. Leave the first float in position next to the Back-Up Valve. Place the second float midway between the first float and the Hose Swivel.



4. Attach feed hose to the wall fitting and attach wall fitting to the pool wall. Hold the end of soft hose and walk the perimeter of the pool keeping the hose straight (do not stretch hose) to find the farthest point of the pool from the wall fitting.
5. Measure the excess length between the farthest point of the pool from Wall Fitting and the end of 30 in. (75 cm) soft hose.
6. Half of this measured length is to be **cut equally from 10 ft. (3 m.) white (hard) hoses next to the Marked Swivel.** (Example: Half of 6 ft. [180 cm] = 3 ft. [90 cm] each). If you are cutting more than 2 ft. (60 cm) off the hoses, remove the floats next to the Marked Swivel from both hoses. See Diagrams on [Page 10](#).
7. Re-assemble the hoses and the swivel using mender nuts. Put mender nut on swivels first, then push hose over swivel, rotate mender nut over hose clockwise until tight.

Note: Keep as many floats as possible on white feed hoses spaced evenly apart to hold hose up on top of water.

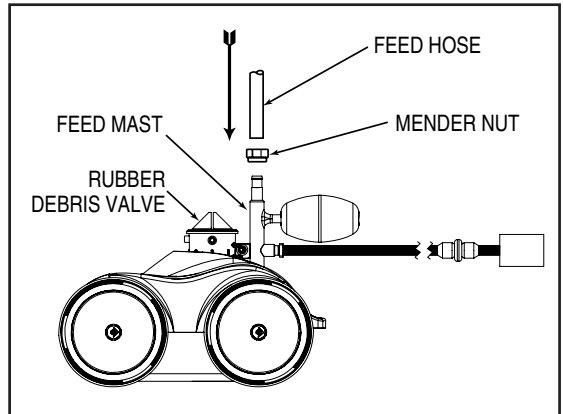


E. Cutting the Feed Hose - (cont.)

- When cutting hoses, please use strong scissors or a sharp knife. Be sure to slide the floats out of the way when cutting hose.
- Put extra mender nut on the Legend® mast and push soft hose gently over mast at 1/2", turn mender nut around soft hose tight.

Note: The Back-Up Valve still should be 30" (76 cm) from the head of the cleaner.

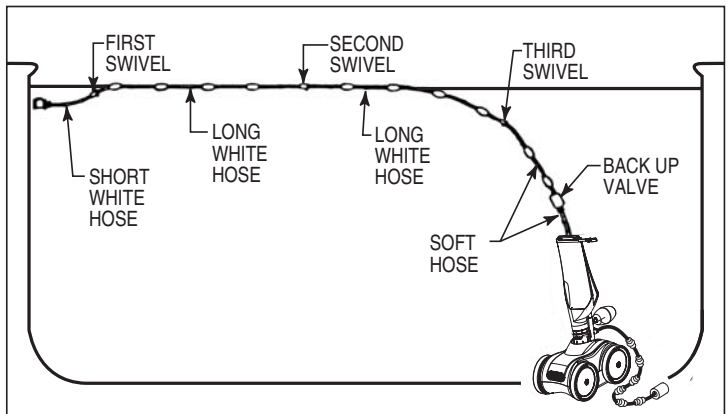
- Now take the bag, 360002/360009, out of the box and firmly twist lock bag onto the top of Legend® throat over rubber debris valve.
- Review and check list: White and soft hoses cut properly and floats evenly spaced. Mender nuts tight around swivels, Back-Up Valve, Legend® mast and wall fitting. Make sure wall fitting is securely locked into place.



- Lower your complete Legend® assembly into your pool carefully. It should look like the Figure-right.

- Go back to your equipment and turn filter pump on first (wait 30 seconds to force air out of the hose), then turn booster pump on.

- For adding additional feeder hose for large pools requiring more hose length you will need to purchase one (1) additional hose (LLD45/LLD45PM), four (4) floats (ED10P/LLD10PM), one (1) swivel (ED05/LLD05PM), and two (2) mender nuts (ED15/LLD15PM). Attach extra white (hard) hose between soft hose and existing white (hard) hose, using floats, swivel and mender nuts. Divide extra white (hard) hose overage by three (3) this time to keep all white hoses the same length.



F. Checking Operation

When operating correctly, the Legend® will travel in a random pattern throughout the pool, vacuuming and sweeping the bottom. The climbing ability of the Legend® is dependent on the pools structure and water flow coming into the pool. It will perform more efficiently in pools without sharp angles or curves in the transition from the floor of the pool to the wall.

The Legend® comes with a Twist Lock Pressure Relief Valve (Wall Fitting). If the Legend® is receiving too much water pressure, the Relief Valve in the Wall Fitting will release the excess water pressure.

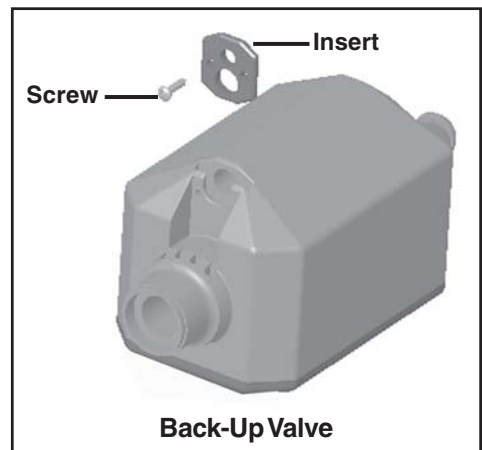
Approximately every three minutes and 30 seconds the Legend® will go into a back-up mode. The Back-Up Valve cycle time, while in the back-up mode, is approximately 30 seconds, pulling the Legend® from it's current location increasing it's random pattern.

New Back-Up Valve Information:

The Back-Up Valve Insert which slides into the slot over the jet of the valve. This is secured with a stainless steel screw as shown in the diagram. The insert will be set from the factory with the larger (3/8") [0.9525 cm] hole over the opening of the jet. The larger hole is used for the Legend® cleaner. If you change the insert to the smaller (1/4") [0.635 cm] hole, the Back-Up Valve will have increased jet pressure and possibly tangle your hose.

The Sweep Hose operates in a gentle sweeping motion to prevent debris from becoming trapped in hard to reach corners of the pool.

If the Legend® does not travel to all areas of the pool, turn off the booster pump and pool filtration pump and make the necessary adjustments from the instructions in the next section.



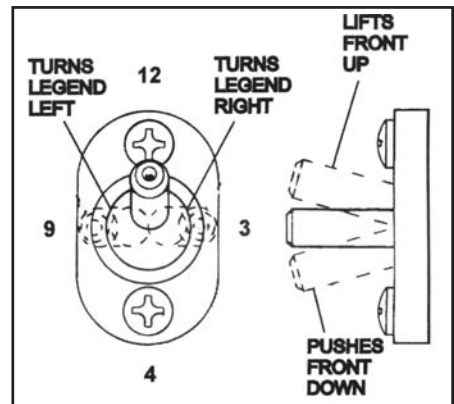
G. Fine Tuning the Legend®

1. Thrust Jet Adjustment

There is a Thrust Jet located in the back of the Legend®. This Thrust Jet alters the direction of the cleaner. The factory standard position for the jet is set in the middle and straight out. (See illustration – right.)

2. Sweep Hose Adjustment

The Sweep Hose operates in a gentle sweeping motion. To increase or decrease the motion of the Sweep Hose, adjust the screw which is located on the Feed Mast Barb below the Ballast Float. Turning the screw clockwise will decrease the motion and counter-clockwise to increase the motion of the Sweep Hose.



G. Fine Tuning the Legend® - (cont.)

3. Checking Wheel RPM

To determine whether the Legend® is receiving the proper water pressure, turn off the pool pump, and carefully remove the Legend® from the pool.

Mark the front drive Tire/Wheel with a marker, or use the Pentair logo located on the side of tire as a marker to count the rotations of the wheel per minute.

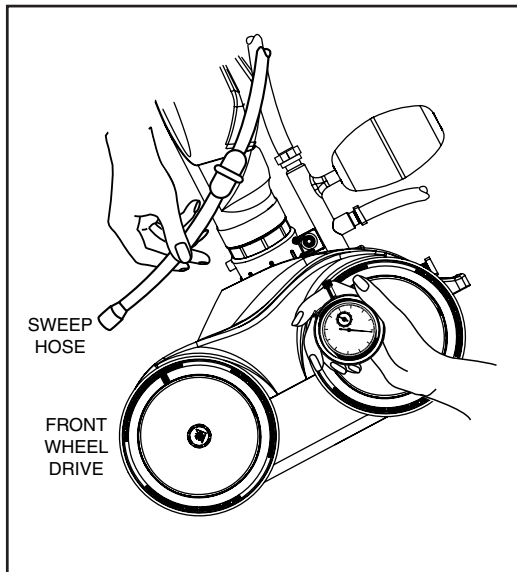
Have someone turn on pool pump and the booster pump while you place the Legend® in the pool just beneath the water surface. (Be sure to hold onto the Sweep Hose to avoid getting wet).

Count the rotations of the marked wheel for exactly one minute. (Be sure the Back-Up Valve isn't cycling at this time). The rotations will give you the Revolutions Per Minute – (RPM).

For proper performance, the Legend® operates between 28-32 RPM. If the RPM is below 28 then call your local Pool Professional or contact our Technical Support Department at 1-800-831-7133 [USA] or {Herentals – Belgium +32 (0) 14.25.99.11}.

If the RPM is more than 32, at the Wall Fitting, unscrew the Pressure Relief Valve slowly until the RPM falls between 28-32.

If you have any additional questions, please contact Pentair Water Pool and Spa, Inc., Technical Support Department at: 1-800-831-7133 [USA] or {Herentals – Belgium +32 (0) 14.25.99.11}, Monday through Friday.



III. Operation/Periodic Maintenance

A. Connecting/Disconnecting the Legend®

Turn off the booster pump and pool pump. Then take the Wall Fitting and twist lock the Wall Fitting clockwise into the Wall Adapter. To disconnect the Legend®, unlock and twist counter-clockwise. The Wall Adapter should remain in the pool wall.

B. Turning On/Off the Legend®

The Legend® operates off the booster pump coming from the equipment pad, and can be turned on or off by merely turning on/off your booster pump time clock.

C. Cleaning the Sand & Silt Bag

Carefully unlock the debris bag from the vacuum tube. Use your thumb to push the "U" shaped snap lock closure upward until it snaps open. Make sure to swing it away from the opening. Open the bag and remove debris.

To close, push the middle of bag inward, as shown, and bring the edges together to make them stack like an accordion. Swing the "U" shaped snap lock closure back to the closing position.

Gently push on top of the "U" shaped snap lock closure to make sure it snaps into place. Reattach the clip onto the feed hose.

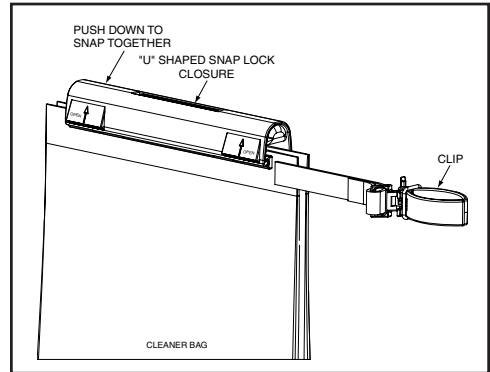
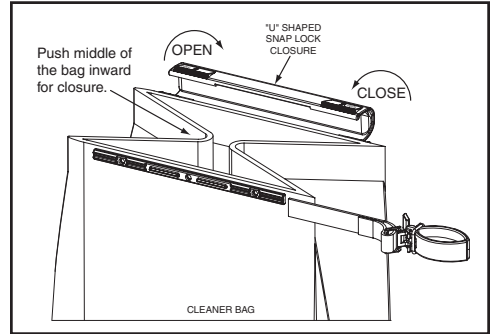
Your debris bag is ready to be reinstalled onto your cleaner.

If you have a lot of debris in your pool, especially after a storm, you can run your Legend® in two shorter cycles per day and empty the debris bag between cycles.

Reconnect the debris bag to the vacuum tube. Do NOT over turn.

A Helpful Hint: It is easier to empty the debris bag when it is dry. A second bag may be used while the full debris bag is drying.

It's best to empty the debris bag when it becomes half full. The Legend® will have better performance if the bag is not overloaded.



D. Periodic Maintenance

The following parts are wear items that should be checked, maintained or replaced as needed. Wear items are considered any working or moving part(s) being worn due to the use of the cleaner.

Wear items are not covered under warranty.

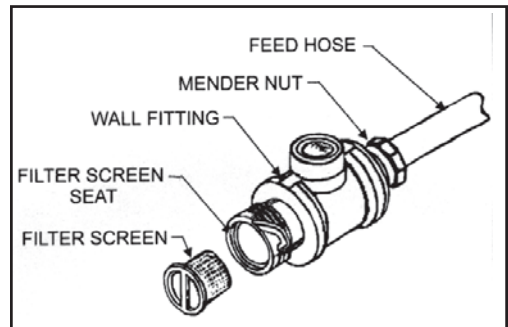
1. Wall Fitting Screen

Inside the wall fitting is a filter screen that acts as a secondary filter. This screen is to keep debris that is passed by the pool filter out of the Legend®. *Running the Cleaner without the filter screen can damage the Legend® and will void the warranty.*

A continuous plugged or dirty screen is a sign of problems in your pool filtration system and you need to contact your local Pool Professional.

To clean the filter screen, pull the screen out from inside the Wall Fitting and rinse thoroughly and push back inside the Wall Fitting.

Whenever cleaning, back-washing or repairing the filter, remove the Wall Fitting and flush out the dedicated line before using the Legend®.



III. Operation/Periodic Maintenance - (cont.)

2. Tires & Bearings

The tires are designed to protect the bottom of your pool and provide better traction. You need to rotate or replace the tires when the tire is worn up to the wear groove.

The Wheel Bearings are warranted free of defects when shipped from Pentair Water Pool and Spa, Inc., and are considered a wear item. A good bearing will spin freely.

3. Roller Rings

Your Sweep Hose has a series of Roller Rings to protect the Sweep Hose. Replace the rings as needed. You can rotate the Roller Rings to prevent flat spots.

4. Debris Bags

Fine Mesh Sand & Silt Bag

The Legend® comes with a Sand & Silt bag for general use in all pools. We do not recommend using the fine mesh bag to pick up leaves and twigs or other large debris for they have sharp points and edges that can poke holes and eventually rip the bag.

Optional Leaf Bag

The leaf bag is a larger mesh bag made to pick up heavier debris such as leaves, twigs, acorns, etc. This bag can be helpful especially after a storm.

A Helpful Hint: To prolong the life of bags, remove the cleaner from pool before adding chemicals.

5. Sweep Hose

The Sweep Hose is provided to help keep the bottom and sides of your pool clean. The Sweep Hose is warranted free of defects when shipped from the factory, and is considered a wear item.

6. Debris Valve

This valve is located under the Debris Bag, it is designed to keep the debris inside the bag. It functions like a check valve to allow the debris to only enter through the bag one way. Replacement is needed when valve begins to stiffen.

E. Back Washing the Pool Filter

Always disconnect the Legend® from the pool wall before cleaning or back washing the pool filter. After cleaning or back washing, let the pool filtration system run for a minimum of five minutes to flush out the return lines before reconnecting the Legend®.

F. Storage and Winterizing

Never leave or store the Legend® in direct sunlight. When storing the Legend® for the winter, be sure to drain all the water from it. This is important since freeze damage is not covered under the warranty. Also, remove the Wall Fitting.

G. Accessories

1. Sweep Hose Weight

If the sweep hose tends to break the surface of the water therefore squirting nearby windows or innocent bystanders, a weight can be installed to the end of the sweep hose.

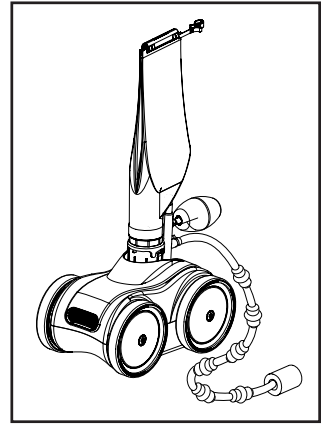
(Part # for Hose Weight is EH09C)

2. Leaf Bag

(See previous page)

3. New Legend® Suction Cup Tires

Designed to climb in problem areas, fiberglass, tile and smooth surfaces. For other applications, please contact our Technical Service Department at 1-800-831-7133 [USA] or {Herentals – Belgium +32 (0) 14.25.99.11}.



Part # for Suction Cup Tires
is: LC6LSA

IV. TROUBLESHOOTING AND PERFORMANCE TIPS

To insure the best performance from your cleaner, follow the troubleshooting guide listed below.

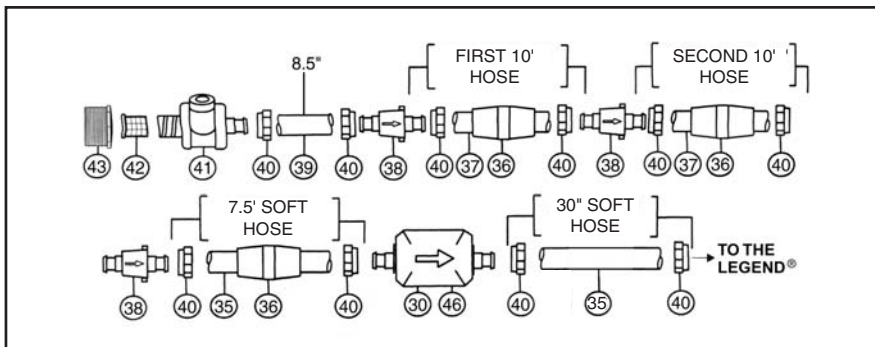
Problem	Solution
Legend® doesn't move or moves sluggishly or hangs up on steps.	<ol style="list-style-type: none"> 1. Be sure filter pump and booster pump are on and working properly. (You may need to clean your pool filter system). 2. Check the Wall Fitting screen for debris and rinse clean. 3. Check wheel RPM, (see page 14). 4. Determine if the Back-Up Valve is cycling. (Hold the valve out of the water and the jet should come on for approx. 30 seconds and shut off for approx. 3 minutes and 30 seconds.) 5. Check all the Hose connections and Swivels for leaks that can cause loss of water pressure. 6. Check debris that may be jammed in the gear teeth on one of the front drive wheels. Gently rotate the front wheels backward to dislodge debris.
Legend® falling over or lying on its side.	<ol style="list-style-type: none"> 1. This usually indicates the bag needs to be emptied. 2. Check to see if the ballast float (EA20) is leaking by checking if there is water inside. Unscrew by pulling back while turning counter-clockwise. When it comes off, shake it and listen for water in the float.
Legend® will not back up.	<ol style="list-style-type: none"> 1. Determine if the Back-Up Valve is cycling. (Hold the valve out of the water and the jet should come on for approx. 30 seconds, and shut off for approx. 3 minutes and 30 seconds). 2. Check the wheel RPM, (see page 14). 3. Empty the debris bag if full or half full.
Legend® will not climb.	<ol style="list-style-type: none"> 1. Even if your pool doesn't show algae you still need to brush the sides of the pool wall. 2. Check the wheel RPM, (see page 14). 3. Reposition the Thrust Jet. Loosen the two screws to adjust the Thrust Jet, (see page 13). <p>A Reminder: The climbing ability of the Legend® is dependent on the pool's shape and available water pressure. It will climb better in pools without sharp angles or curves in the transition from the pool floor to the pool wall.</p>
Hoses tangling.	<ol style="list-style-type: none"> 1. Check the length of the Feed Hose, they may be too long, (see pages 9-12). 2. Check to see that the Feed Hose is floating on top of surface. Check hose floats for even spacing. 3. Twist the Hose Swivels to see if they spin free and replace any that will not. 4. Lay out the Feed Hose straight in the full sun to remove any memory.
Sweep Hose is sucked into the cleaner.	<ol style="list-style-type: none"> 1. Adjust the Sweep Hose using the Adjustment Screw located on the bottom of the Swivel Mast and just below the upper Thrust Jet. Turn Adjustment Screw clockwise until the Sweep Hose is in a gentle sweeping motion.
Booster Pump very noisy.	<ol style="list-style-type: none"> 1. Make sure Wall Fitting is mounted in pool wall correctly. 2. Make sure Pool Filtration system is working properly. 3. Contact your local Pool Professional - possible Booster Pump problem.
Sweep Hose breaks water surface and sprays nearby windows, patio decks and bystanders.	<ol style="list-style-type: none"> 1. Adjust Sweep Hose to a gentle sweeping motion. 2. Add optional Sweep Hose weight, (see page 16).

LEGEND® PARTS LIST

Item #	International P/N's	USA P/N's	Description	Qty.
1	360003	360003	Top Cover	1
2	LLU145N	LLU145N	Main Frame	1
2	360010	360010	Main Frame – Grey	1
3	360004	360004	Bottom Cover	1
3	360011	360011	Bottom Cover – Grey	1
4	G-L-LLU6	LLU6	Feed Mast w/O-Ring – White	1
4	LLU6G	LLU6G	Feed Mast w/O-Ring – Grey	1
5	G-L-EC86	EC86	Turbine Drive Shaft – Complete	1
6	EC83	EC83	Turbine Spacers	2
7	G-L-EC80	EC80	Turbine Bearings	2
8	G-L-EA40	EA40	Turbine Shaft Shield	1
9	G-L-EC110	EC110	Turbine Cover w/Elbows	1
10	G-L-EC120	EC120	Turbine/Venturi Hose – 7¾" (20 cm) length	2
10	LLC120G	LLC120G	Turbine/Venturi Hose – 7¾" (20 cm) length – Grey	2
11	G-L-EB5L	EB5L	Sweep Hose – Complete	1
11	LLB5G	LLB5G	Sweep Hose – Complete – Grey	1
12	G-L-EB10	EB10	Sweep Hose – Wear Ring	9
13	G-L-EB25	EB25	Sweep Hose – Jet w/Collar	1
13	LLB25PM	LLB25PM	Sweep Hose – Jet w/Collar – Grey	1
14	370198	370198	Sweep Hose – Adjustment Screw	1
15	G-L-EA20	EA20	Ballast Float	1
15	LLA20G	LLA20G	Ballast Float – Grey	1
16	G-L-EH07	EH07	Sweep Hose – Hose Sleeve	4
16	LLH07PM	LLH07PM	Sweep Hose – Hose Sleeve – Grey	4
17	G-L-EU15	EU15	Coarse Mesh Bag – (Optional - not shown)	1
17	EU15G	EU15G	Coarse Mesh Bag – Grey Collar – (Optional - not shown)	1
18	360002	360002	Fine Mesh Bag – Mechanical Lock	1
18	360009	360009	Fine Mesh Bag – Grey – Mechanical Lock	1
18	G-L-EU16	EU16	Fine Mesh Bag – Velcro Brand Fastener	1
18	EU16G	EU16G	Fine Mesh Bag – Velcro Brand Fastener – Grey	1
19	G-L-EU9	EU9	Debris Valve	1
20	G-L-EU7	EU7	O-Ring for Feed Mast	1
21	G-L-E18	E18	O-Ring for Thrust Jet	1
22	G-L-EC130	EC130	Thrust Jet	1
23	G-L-EC135	EC135	Thrust Jet – Plate	1
23	LLC135G	LLC135G	Thrust Jet – Plate – Grey	1
24	G-L-EC65	EC65	Axle – Large Wheels	4
25	G-L-EC70	EC70	Axle Plate	4
26	370258Z	370258Z	Axle Screw w/Lock Washer	8
27	360006	360006	Wheel w/Out Bearings	4
28	G-L-EC60	EC60	Wheel Bearings – Only	8
29	G-L-EC55	EC55	Wheel Screw Plastic	4
29	LLC55PM	LLC55PM	Wheel Screw Plastic – Grey	4
30	G-L-E10	E10	Back-up Valve	1
30	LL10PM	LL10PM	Back-up Valve – Grey	1
31	360007	360007	Wheel – Rubber Tire	4
31	360012	360012	Wheel – Grey Tire	4
32	G-L-EB15	EB15	Hose Clamp	5
33	G-L-EC40	EC40	Screw	7
34	360005	360005	Hub Cap	4
34	360013	360013	Hub Cap – Grey	4

LEGEND® PARTS LIST

Item #	International P/N's	USA P/N's	Description	Qty.
35	G-L-LD50	LLD50	Feed Hose – Soft - 10' (3 m)	1
35	LLD50PM	LLD50PM	Feed Hose – Grey Soft - 10' (3 m)	1
36	G-L-ED10P	ED10P	Float – Feed Hose	10
36	LLD10PM	LLD10PM	Float – Feed Hose – Grey	10
37	G-L-LD45	LLD45	Feed Hose – White - 10' (3 m)	2
37	LLD45PM	LLD45PM	Feed Hose – Grey - 10' (3 m)	2
38	G-L-ED05	ED05	Swivel – Feed Hose	2
38	LLD05PM	LLD05PM	Swivel – Feed Hose – Grey	2
39	G-L-LLU1	LLU1	Adapter Hose – White - 8½" (22 cm)	1
39	LLU1PM	LLU1PM	Adapter Hose – Grey - 8½" (22 cm)	1
40	G-L-ED15	ED15	Mender Nut – Plastic – Feed Hose	8
40	LLD15PM	LLD15PM	Mender Nut – Plastic – Feed Hose – Grey	8
41	G-L-EW22	EW22	Wall Fitting	1
41	LLW22PM	LLW22PM	Wall Fitting – Grey	1
41	E25	E25	Pressure Relief Valve – White	1
41	LL25PM	LL25PM	Pressure Relief Valve – Grey	1
42	G-L-E24	E24	Screen – Wall Fitting	1
43	G-L-E23	E23	Quick Disconnect Adapter	1
43	LL23PM	LL23PM	Quick Disconnect Adapter – Grey	1
44	G-L-EC64	EC64	Wheel – Plastic Washer	4
–	G-L-EH09C	EH09C	Sweep Hose Weight (Optional - not shown)	1
46	G-L-EG15	EG15	Gears – for Back-Up Valve	1
47	G-L-EC131	EC131	Thrust Jet Repair Kit – Includes: EC130, EC135 and E18	1
47	360014	360014	Thrust Jet Repair Kit – Includes: EC130, LLC135 and E19	1
48	G-L-EA30	EA30	Screw for EA40 and EC110	5
49	370017	370017	Sweep Hose – Scrubber	1
50	G-L-EU147	EU147	Snap Fit Vac Tube Posts	2
50	LLU147G	LLU147G	Snap Fit Vac Tube Posts – Grey	2
51	G-L-EU79	EU79	Nut & Bolt – Feed Mast to Vac Tube	1
52	G-L-LLU8	LLU8	Venturi Jets	2
52	LLU8G	LLU8G	Venturi Jets – Grey	2
53	G-L-EU80	EU80	Screw – Top and Bottom Cover	4
54	360008	360008	Clip Hose – for 360002	1
54	360015	360015	Clip Hose – Grey – for 360009	1



LEGEND® — EXPLODED VIEW

