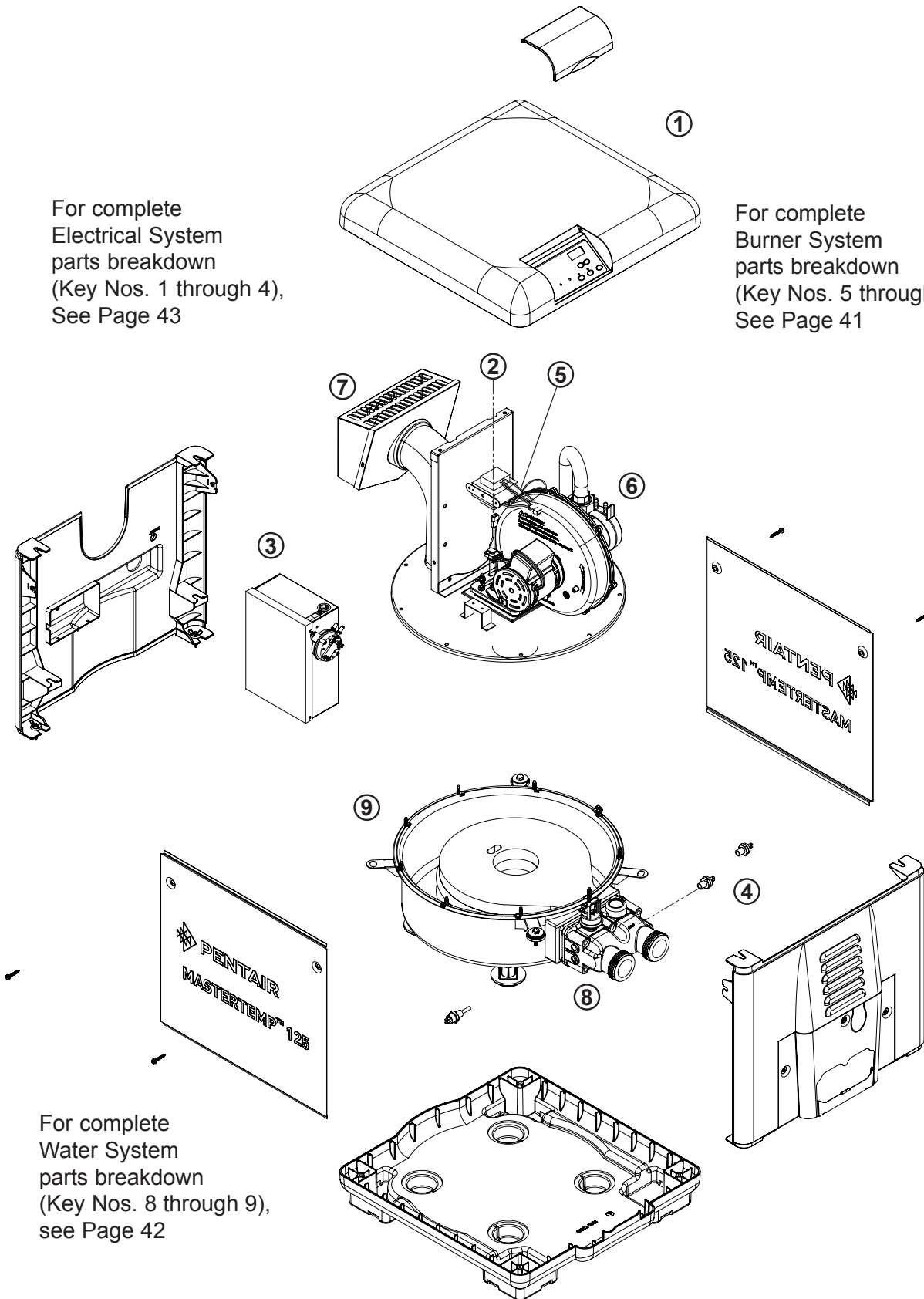


MasterTemp™ 125 HEATER REPLACEMENT PARTS

For complete
Electrical System
parts breakdown
(Key Nos. 1 through 4),
See Page 43

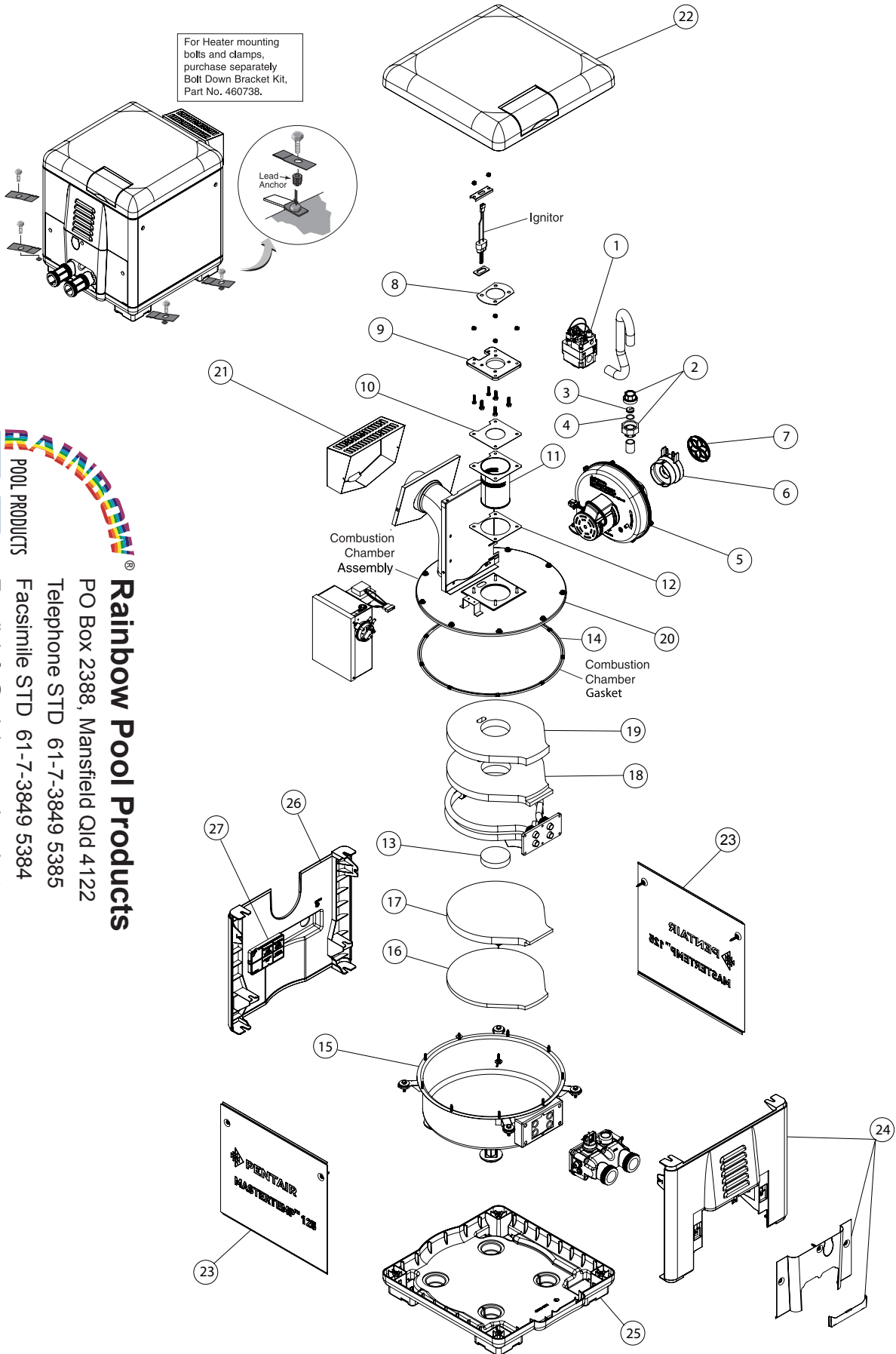
For complete
Burner System
parts breakdown
(Key Nos. 5 through 7),
See Page 41



For complete
Water System
parts breakdown
(Key Nos. 8 through 9),
see Page 42

**Repair Parts are available from your Pentair dealer,
or call Customer Support at 1-800-831-7133 US.**

MasterTemp™ 125 HEATER REPLACEMENT PARTS



Quality Pool & Spa Products
POOL PRODUCTS
Rainbow Pool Products
 PO Box 2388, Mansfield Qld 4122
 Telephone STD 61-7-3849 5385
 Facsimile STD 61-7-3849 5384
 Email: info@rainbowpoolproducts.com.au
 Web: www.rainbowpoolproducts.com.au

MASTERTEMP™ 125 HD HEATER REPLACEMENT PARTS

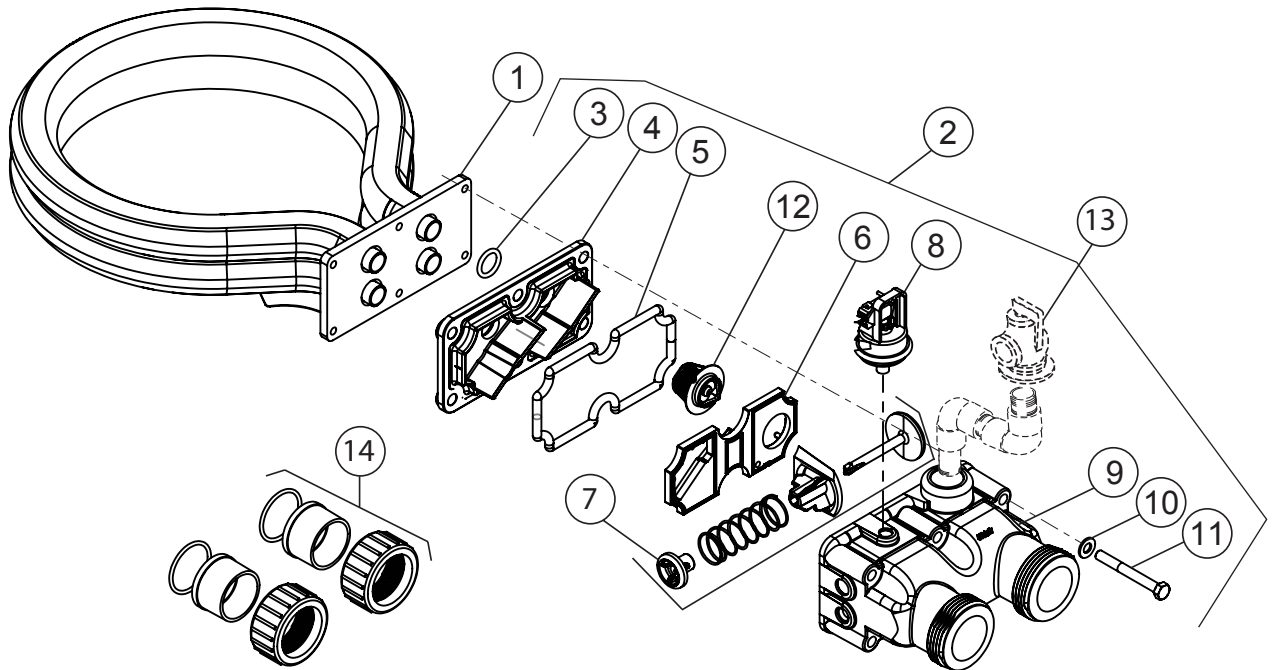
REPAIR PARTS – BURNER SYSTEM

Key No.	Part Description	Qty.	MT125 NG & LP
			AUSTRALIA
1	Combination Gas Control Valve Kit	1	474133Z
2	3/4" Union	2	38404-4097S
3	Gas Orifice	1	
4	Gas Orifice O-Ring	1	
•	Gas Orifice Kit – NG (Incl. Key Nos. 3 and 4)**	1	475131
•	Gas Orifice Kit – Propane (Incl. Key Nos. 3 and 4)**	1	475132
•	NG to Propane Conversion Kit (Incl. Key Nos. 3 and 4)**		475133
•	Propane to NG Conversion Kit (Incl. Key Nos. 3 and 4)**		475134
5	Air Blower	1	474104Z
6	Air Orifice Kit (Includes Key Nos. 6 and 7)	1	475138
7	Air Orifice Grill	1	77707-0011
•	Blower/Adapter Plate Gasket Kit (Includes Key Nos. 8, 9, 10, 12)		
•	Flameholder Kit (Includes Key Nos. 10, 11, 12, 13)		
8	Blower/Adapter Plate Gasket	1	474994
9	Blower Adapter Plate	1	
10	Flameholder/Adapter Plate Gasket	1	
11	Flameholder Assembly	1	
12	Flameholder/Combustion Chamber Gasket*	1	
13	Flameholder Insulation Cap	1	
•	Flameholder Insert	1	
14	Combustion Chamber Gasket Kit	1	
15	One Piece Metal Chamber/Combustion Chamber Assembly (9-bolt)	1	474990
•	Insulation Kit (Includes Key No. 13, 16, 17, 18, 19)	1	77707-0008
16	Bottom Outer Insulation Blanket*	1	
17	1" Bottom Inner Insulation	1	
18	1" Top Insulation	1	
19	Top Outer Insulation Blanket*	1	
•	Lower Enclosure Insulation	1	42001-0074S
20	One Piece Metal Elbow/Combustion Chamber Cover Assembly (9-bolt)	1	474958
21	Metal Vent Cover	1	474172Z
22	Heater Top	1	42002-0034Z
23	Side Panel {Service Panel}	1	474991
24	Side Panel {Manifold}	1	474992
25	Heater Bottom	1	42002-0031Z
26	Side Panel {Flue Stack}	1	474993
27	J-Box Cover	1	42002-0041Z
28	Screws/Clips Kit, Panel (8 ea. clips & 8 ea. screws)	1	474292
•	Combustion Air Intake Duct Connection Kit	1	474845

* Not available separately.

** Not included with heater. Order separately.

MASTERTEMP™ 125 HD HEATER REPLACEMENT PARTS

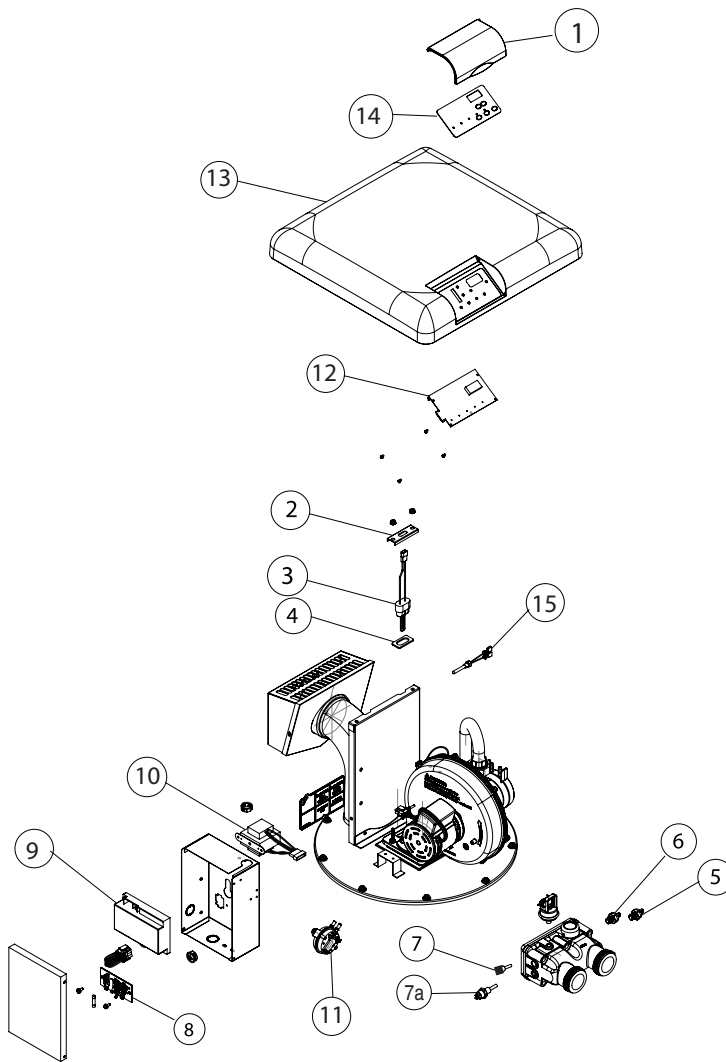


REPAIR PARTS – WATER SYSTEM

Key No.	Part Description	Qty.	Model	
			MT125 NA	MT125 LP
1	Tube Sheet Coil Assembly Kit (NA, LP) (HD) (Includes Key No.3)	1	475180	
2	Manifold Kit (Includes Key Nos. 3-11. Key No.12 and 13 not included. Key Nos. 5-7 in "Electrical System", Page 53)	1	475148	
3	Coil/Tubesheet Sealing O-Ring Kit	1	474973	
4	Manifold Bottom Plate (*)	1	-	
5	Manifold O-Ring (*)	1	-	
6	Manifold Baffle Plate (*)	1	-	
7	Manifold Bypass Valve (*)	1	-	
8	Water Pressure Switch	1	42001-0060S	
9	Manifold (*)	1	-	
10	5/16" Washer, Stainless Steel (*)	6	-	
11	5/16x18x2-3/4" Hex Cap screw (*)	6	-	
12	Thermal Regulator	1	474989	
13	Pressure Relief Valve (Recommended (Purchase Separately)	1	-	473715Z
14	1-1/2" Union Kit	1	474974	

(*) Not available separately

MASTERTEMP™ HD 125 HEATER REPLACEMENT PARTS





Rainbow Pool Products

 PO Box 2388, Mansfield Qld 4122

 Telephone STD 61-7-3849 5385

 Facsimile STD 61-7-3849 5384

 Email: info@rainbowpoolproducts.com.au

 Web: www.rainbowpoolproducts.com.au

REPAIR PARTS – ELECTRICAL SYSTEM

Key No.	Part Description	Qty.	Model 125 (NA/LP)
1	Heater Display Cover	1	42002-0035Z
2	Igniter Bracket	1	42001-0030S
3	Igniter/Igniter Gasket Kit Incl. Key Nos. 3 and 4)	1	77707-0054
4	Igniter Gasket	1	42001-0066S
5	Automatic Gas Shutoff Switch (AGS)	1	474368Z
6	Limit Switch 55° C	1	474369Z
7	Thermistor	1	42001-0053S
7a	Hi- Limit Switch 45° C	1	475147Z
8	Terminal Board	1	42001-0056S
9	Ignition Control Module	1	42001-0052S
10	Transformer, 120/240V	1	42001-0107S
11	Air Flow Switch	1	42001-0061S
12	Control Board Kit (NA, LP Series)	1	42002-0007S
•	Heater Wiring Harness - 120/240V	1	42001-0104S
•	120/240 Volt Plug Kit	1	42001-0105S
13	Heater, Top	1	42002-0034Z
14	Membrane Pad (NA, LP Series)	1	472610Z
15	Stack Flue Sensor	1	42002-0024S

- Not available separately.
- * Kit parts not available separately.