



# INTELLIBRITE® 5G WHITE POOL AND SPA LIGHTS



## INSTALLATION AND USER'S GUIDE

IMPORTANT SAFETY INSTRUCTIONS  
*READ AND FOLLOW ALL INSTRUCTIONS*  
SAVE THESE INSTRUCTIONS

**Technical Support:** Phone: (800) 831-7133 - Fax: (800) 284-4151

Web sites: [www.pentairpool.com](http://www.pentairpool.com) and [www.staritepool.com](http://www.staritepool.com):

## Contents

<b>IMPORTANT WARNING AND SAFETY INSTRUCTIONS</b> .....	<b>i</b>
IntelliBrite Underwater White Pool and Spa Light .....	1
Operating IntelliBrite lights using a wall switch .....	1
Using an External Transformer for Multiple IntelliBrite 12 VAC Lights .....	1
Troubleshooting .....	2
Replacing the IntelliBrite White Pool and Spa Light Assembly (in an existing pool) .....	3
Installing the IntelliBrite White Pool and Spa Light Fixture (new pool construction) .....	6
Installing the IntelliBrite White Pool and Spa Light Fixture (after electrical requirements are met).....	7
Replacing the IntelliBrite White Pool Light Circuit Board Assembly (in an existing pool).....	9
Replacing the IntelliBrite White Pool Light Circuit Board Assembly With New Gasket .....	11
Wide and Narrow Angle Lens Adjustment.....	14
IntelliBrite White Pool Light Replacement Kit Part Numbers .....	15
Replacing the IntelliBrite White Spa Light Face ring and Gasket (P/N 640045) or Gasket and Lens (640046) .....	17
IntelliBrite White Spa Light Replacement Kit Part Numbers .....	21

### Before Installing luminaries read the following:

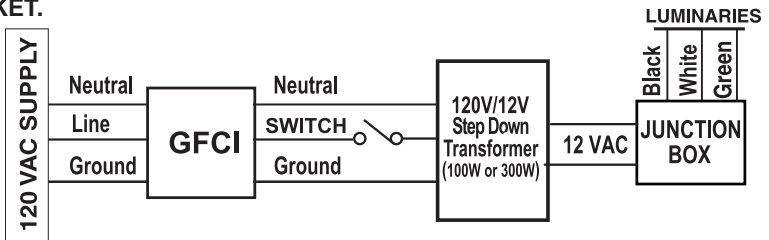


**WARNING** Always install a new lens gasket (see part number in this User's Guide on page 12 and 22), when ever reassembling the light. Failure to do so may permit water to leak into the assembly which could cause; (a) an electrical hazard resulting in death or serious injury to pool users, installer, or others due to electrical shock, or (b) breakage of the lamp or lens, which likewise could result in serious injury to pool user, installers, or bystanders, or in damage to property.

**FOR 12 VAC LUMINARIES: ALWAYS USE A SEPARATE SAFETY ISOLATION TRANSFORMER TO POWER LUMINARIES. SEE DIAGRAM BELOW.** Note: Connect all three wires to the corresponding circuit wires in the Junction Box (black wire to power, white wire to common, and green wire to ground).

**12 VAC LUMINARIES SPECIFICATION: 12 VAC, 50/60 Hz**

**REPLACE ANY CRACKED PROTECTIVE SHIELD (CRACKED LENS) WITH NEW LENS AND GASKET.**



## IMPORTANT WARNING AND SAFETY INSTRUCTIONS



**SERIOUS BODILY INJURY OR DEATH CAN RESULT IF THIS LIGHT IS NOT INSTALLED AND USED CORRECTLY.**



**INSTALLERS, POOL OPERATORS AND POOL OWNERS MUST READ THESE WARNINGS AND ALL INSTRUCTIONS BEFORE USING THE POOL AND/OR SPA LIGHT.**



Most states and local codes regulate the construction, installation, and operation of public pools and spas, and the construction of residential pools and spas. It is important to comply with these codes, many of which directly regulate the installation and use of this product. Consult your local building and health codes for more information.



**IMPORTANT NOTICE - Attention Installer:** This Installation and User's Guide ("Guide") contains important information about the installation, operation and safe use of this underwater pool and spa light. This Guide should be given to the owner and/or operator of this equipment.



Before installing this product, read and follow all warning notices and instructions in this Guide. Failure to follow warnings and instructions can result in severe injury, death, or property damage. Call (800) 831-7133 for additional free copies of these instructions. Please refer to [www.pentairpool.com](http://www.pentairpool.com) for more information related to this products.



**RISK OF ELECTRICAL SHOCK OR ELECTROCUTION: THE INTELLIBRITE® WHITE POOL AND SPA LIGHT REQUIRE HIGH VOLTAGE WHICH CAN SHOCK, BURN, OR CAUSE DEATH.**



**BEFORE WORKING ON POOL AND SPA LIGHTS always disconnect power to the pool and/or spa lights at the circuit breaker from the light before servicing the light. Failure to do so could result in death or serious injury to service person, pool users or others due to electric shock.**

This underwater light must be installed by a licensed or certified electrician or a qualified pool professional in accordance with the current National Electrical Code (NEC), NFPA 70 or the Canadian Electrical Code (CEC), CSA C22.1. All applicable local installation codes and ordinances must also be adhered to. Improper installation will create an electrical hazard which could result in death or serious injury to pool users, installers or others due to electrical shock, and may also cause damage to property. Always disconnect the power to the pool light at the circuit breaker before servicing the light. Failure to do so could result in death or serious injury to serviceman, pool users or others due to electrical shock.

**READ AND FOLLOW ALL INSTRUCTIONS IN THIS MANUAL.**



**Important Safety Information for Pentair Aquatic Systems Niche and Light Installation**

- All Niche and Light installations must conform with all codes. If local codes mandate a cord seal, use Pentair Aquatic Systems plastic niches (P/N 79206600 and P/N 79206700) and Cord Seal Kit (P/N 670044).
- Under **no circumstances** replace lights by splicing wire under water or behind niche.

## IMPORTANT WARNING AND SAFETY INSTRUCTIONS

**⚠ WARNING RISK OF ELECTRIC SHOCK AND INJURY. USE ONLY THE INSTALLATION METHOD SPECIFIED BELOW.**

Location of Luminaire Use	Pentair Aquatic Systems Fountain Fixture* (P/N 560001 and P/N 560000)	Required Installation Method
Swimming Pool and Spa	Wet-Niche Swimming Pool (or Spa) Luminaire (Light)	Fixture Housing (Forming Shell) ONLY. <b>DO NOT USE</b> Fountain Fixture Stand.
Fountain	Wet-Niche Submersible Luminaire (Light) swimming Pool (or Spa) Luminair (Light)	Fixture Housing (Forming Shell) or Fountain Fixture Stand.

**(\*) Note:** Wet-niche luminaires complying with requirements for both uses may bare both the Listed Wet-Niche Submersible Luminaires UL Mark. A luminaire not bearing the corresponding UL Listing Mark is not considered by UL to have been produced under UL's Listing and Follow-Up Service for the associated usage location.

**CAUTION -** The IntelliBrite® White Light fixture must only be used with Pentair Aquatic Systems fixture housings (niches). If the IntelliBrite white light fixture is installed into other niches, the installation will not carry U.L. approval and will void all warranties.

**NOTICE:** The external flexible cable or cord of this luminaire cannot be replaced; if the cord is damaged, the luminaire shall be destroyed.

**⚠ WARNING** For countries in compliance with International Electromechanical Commission (IEC) regulatory standards: The light fixture must be installed by a licensed or certified electrician or a qualified pool service person, in accordance with IEC 364-7-702 and all applicable local codes and ordinance. Improper installation will create an electrical hazard, which could result in death or serious injury to pool user, installer or other due to electrical shock and may also cause damage to the property.

**⚠ WARNING** Salt is an inherently corrosive material. While the levels of salt required for proper operation of an electronic chlorine generator are relatively low when compared to sea water and other salt solutions, placing any amount of salt in your pool increases the likelihood of corrosion or other deterioration of pool equipment and any surfaces used in and around your pool. Metal parts and certain natural and man-made surfaces are particularly susceptible to corrosion and deterioration when used in and around salt water pools. Pentair does not represent or otherwise guarantee that the proper use of an electronic chlorine generator will prevent corrosion or other deterioration of pool equipment and any surfaces used in and around your pool. Consult your experienced pool professional, who should be able to advise you on the proper material selection, installation techniques for those materials, and the proper use, care and maintenance of those materials for your specific pool type and location in order to minimize the corrosion and deterioration that is inherent in and around salt water pools.

**POOL AND SPA FIXED LUMINARIES: Follow these guidelines when installing, replacing or repairing Pentair Aquatic Systems Pool and Spa fixed luminaries:**

- REPLACE ANY CRACKED PROTECTIVE SHIELD (CRACKED LENS) WITH NEW LENS AND GASKET. FOR MORE INFORMATION SEE PAGE 11.
- FOR LIGHT OPERATION, ONLY USE A SAFETY ISOLATION TRANSFORMER.



## IntelliBrite® 5g White Pool and Spa Lights Overview

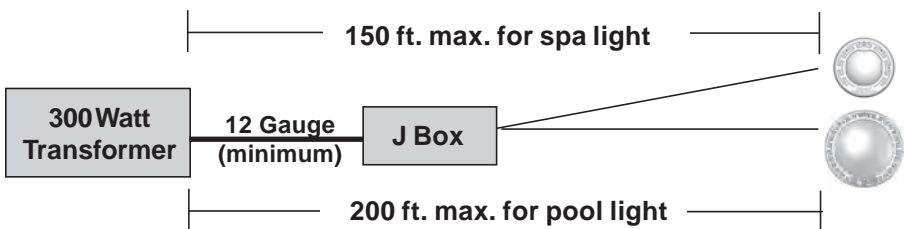
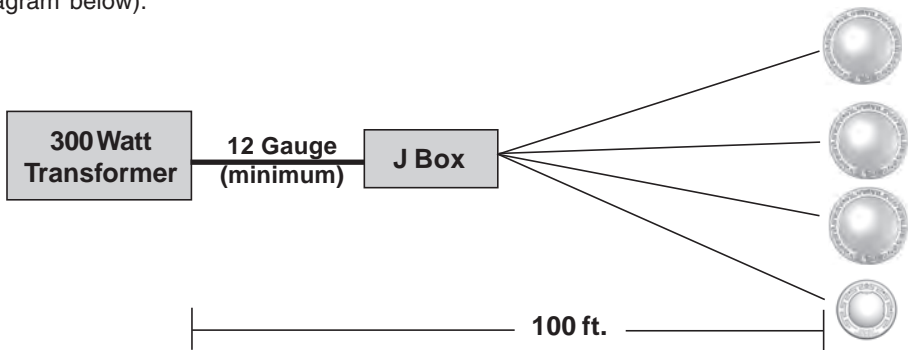
This manual describes how to install the IntelliBrite® 5g White Pool Light and the White Spa Light. The IntelliBrite 5g white lights provides brilliant white light for a spectacular effect in your pool and spa. The unique IntelliBrite 5g white pool light lens geometry (pool light only) provides a choice between two light beam shapes; wider coverage with less intensity, or narrower coverage with more intensity. For more information, see page 14.

### Operating Pool and Spa Lights Using a Wall Switch (12 VAC)

The white pool and spa lights can be manually controlled using a standard wall-mount light switch. Multiple IntelliBrite lights can be connected via a junction box to a single switch so that all lights can be switched on and off together. IntelliBrite lights can also be automatically controlled via Pentair IntelliTouch®, EasyTouch® and SunTouch® Control Systems. For more information refer to the IntelliTouch User's Guide (P/N 521075), EasyTouch User's Guide (P/N 521044), and SunTouch User's Guide (P/N 520785).

### Using an External Transformer for Multiple IntelliBrite 12 VAC Lights

When using multiple IntelliBrite 12 VAC lights on a **300 Watt** transformer, it is recommended that no more than three IntelliBrite pool lights and one (1) IntelliBrite Spa light be used. It is also recommended not to exceed 100 feet of total cable run between the transformer and light. Note: For long cable lengths, set transformer to 14 VAC (see diagram below).



### IntelliBrite® 5g White Pool Light models:

There are two IntelliBrite 5g White Pool light models:

- IntelliBrite 5g White Pool Light, 120 VAC with integrated 12 VAC transformer, 50 ft. cord length - Other cord lengths are available from 30 ft. (9.14 m) to 250 ft. (76.2 m).
- IntelliBrite 5g White Pool Light, 12 VAC requires 120 VAC to 12 VAC transformer), 50 ft. cord length - Other cord lengths are available from 30 ft. (9.14 m) to 150 ft. (45.72 m).

### IntelliBrite White Spa Light models

There are two IntelliBrite White Spa light models:

- IntelliBrite White Spa Light, 120 VAC, with integrated 12 VAC transformer, 50 ft. cord length - Other cord lengths are available from 30 ft. (9.14 m) to 250 ft. (76.2 m).
- IntelliBrite White Spa Light, 12 VAC, (requires 120 VAC to 12 VAC transformer), 50 ft. cord length - Other cord lengths are available from 30 ft. (9.14 m) to 150 ft. (45.72 m).

Note: For IntelliBrite 5g white pool and spa white light replacement parts list, see page 15-16 and 21-22.

## Troubleshooting

Problem	Cause/Action
The light will not illuminate.	Check the GFCI ground fault wiring and reset if necessary.
Light does not function properly.	Check the light wiring connection to the junction box at the pool side and to the AC power switch.  Be sure that there is proper AC power applied to the light.

# Replacing the IntelliBrite® 5g White Pool and Spa Light Assembly (in an existing pool or spa)



## Risk of Electrical Shock or Electrocution!

This underwater light must be installed by a licensed or certified electrician or a qualified pool professional in accordance with the National Electrical Code and all applicable local codes and ordinances. Improper installation will create an electrical hazard which could result in death or serious injury to pool users, installers or others due to electrical shock, and may also cause damage to property.

Always disconnect the power to the pool light at the circuit breaker before servicing the light. Failure to do so could result in death or serious injury to serviceman, pool users or others due to electrical shock.

Verify that the pool and spa meets the requirements of the current National Electrical Code and all local codes and ordinances. A licensed or certified electrician must install the electrical system to meet or exceed those requirements before the underwater light is installed. Some of the requirements of the National Electrical Code which the pool's electrical system must meet are as follows:

- The lighting circuit has a Ground Fault Circuit Interrupter (GFCI) for line voltage models, and has an appropriately rated circuit breaker.
- The Junction Box (or, for **12 volt models**, the low voltage transformer) is located at least eight (8) inches (20.3 cm) above ground level and at least 48 inches (1.219 m) from the edge of the pool; see Figure 1 on page 7.
- The light fixture and all metal items within five (5) feet (1.524 m) of the pool are properly electrically bonded.
- The wet niche is properly installed so that the top edge of the underwater light's lens is at least 18 inches below the surface of the water in the pool; see Figure 1 on page 7.
- The wet niche is properly electrically bonded and grounded via the No. 8 AWG ground connector located at the rear of the niche; see Figure 1 on page 7.

**Note:** *The pool and spa electrical system can be verified with a Pool and Spa Electrical Qualification Test Kit. The electrical system inspector using this kit must be performed by trained and certified personnel.*

- To be certain that the pool's electrical system meets all applicable requirements, the electrician should also consult the local building department.
- Use only Pentair wet niches to insure proper bonding and grounding connections.

## Replacing the IntelliBrite® 5g White Pool and Spa Light Assembly (After Electrical Requirements Are Met)

The following removal and installation instructions describe how to remove and install the IntelliBrite pool and spa white light assembly. Also use these instructions after completing the following light replacement procedure:

- **IntelliBrite White Spa Light and Face Ring Gasket and Lens Removal and Installation instructions, on page 17.**

### **WARNING**

Failure to bring the pool or spa's electrical system up to code requirements before installing the underwater light will create an electrical hazard which could result in death or serious injury to pool users, installers, or others due to electrical shock, and may also cause damage to property.

1. **WARNING! Switch off main electrical switch or circuit breaker, and the switch which operates the IntelliBrite underwater light.**
2. **To remove light fixture assembly from the pool.** Remove the special bronze pilot screw at top of face ring. Remove the IntelliBrite light assembly from the niche and place it on the deck.
3. Cut the cord about 12 inches (30.5 cm) from the back of the light assembly.
4. Remove Junction Box cover, disconnect the light fixture wires, and pull the cord through the conduit. **Tip: Before pulling the cord, tape the new cord to the existing cord, This might make it easier to feed the new cord through the conduit (see following step).**
5. Feed the new light fixture cord through the conduit from the niche to the Junction Box. **Note:** Depending on the length of the conduit, special tools may be required to pull the cord through the conduit.
6. Leave at least four (4) feet of cord to coil around the light fixture; see Figure 1 on page 7. This four (4) feet (1.2192 m) of cord coiled around the light allows the light to be serviced after the pool is filled with water.
7. Cut the cord at the Junction Box, leaving at least size (6) inches of cord to make connections.
8. Strip six (6) inches (15.2 cm) of the outer cord jacket from the cord to expose the three insulated conductors. Be careful not to damage the insulation on the three (3) inner conductors. Strip a 1/2" of insulation off the three conductors. Be careful not to damage the copper conductor.



9. Connect all three conductors to the corresponding circuit wires in the Junction Box (black wire to power, white wire to common, and green wire to ground) and secure the Junction Box cover in place.
10. Install the IntelliBrite® Light assembly into the niche and tighten the special bronze pilot screw.

**⚠ WARNING**

Use only the **special pilot screw provided** with this underwater light. This screw mounts and electrically grounds the housing securely to the mounting ring and wet niche. Failure to use the screw provided could create an electrical hazard which could result in death or serious injury to pool users, installers or others due to electrical shock.

Pilot screw (bronze)



IntelliBrite 5g White Pool Light

Pilot screw (bronze)



IntelliBrite 5g White Spa Light

11. **Final check for proper IntelliBrite light operation:** Switch on the main switch or circuit breaker to the system, and the switch that operates the IntelliBrite underwater light itself. The light should illuminate when power is applied. If not recheck the installation steps starting with Step 1 (page 4).

## INTELLIBRITE® 5G WHITE POOL AND SPA LIGHT FIXTURE INSTALLATION (NEW POOL CONSTRUCTION)

The following describes how to install the IntelliBrite® White Pool Light fixture and the IntelliBrite® White Spa Light fixture. Read page 3 before starting the installation procedure.

**BEFORE STARTING:** The following steps 1-7 (page 7-8) describe the tasks that must be completed by the electrician before the IntelliBrite light fixture is installed. See Figure 1 diagram on page 7.

### WARNING

Be sure that the pool or spa meets the requirements of the current National Electrical Code (N.E.C.) Article 680-22 and all local codes and ordinances. A licensed or certified electrician must install the electrical system to meet or exceed those requirements before the underwater light is installed. Some of the requirements of the National Electrical Code which the pool's electrical system must meet are as follows:

- The lighting circuit has a Ground Fault Circuit Interrupter (GFCI) for line voltage models, and has an appropriately rated circuit breaker.
- The Junction Box (or, for **12 volt models**, the low voltage transformer) is located at least eight (8) inches (20.3 cm) above ground level and at least 48 inches (1.219 m) from the edge of the pool; see Figure 1 on page 7.
- The light fixture and all metal items within five (5) feet (1.524 m) of the pool are properly electrically bonded.
- The wet niche is properly installed so that the top edge of the underwater light's lens is at least 18 inches below the surface of the water in the pool; see Figure 1 on page 7.
- The wet niche is properly electrically bonded and grounded via the No. 8 AWG ground connector located at the rear of the niche; see Figure 1 on page 7.

**Note:** The pool or spa electrical system can be verified with a Pool and Spa Electrical Qualification Test Kit. The electrical system inspection using this kit must be performed by trained and certified personnel. **Note: To be certain that the pool or spa electrical system meets all applicable requirements, the electrician should also consult the local building department. Use only Pentair wet niches to insure proper bonding and grounding connections.**

## INSTALLING THE INTELLIBRITE® 5G WHITE POOL AND SPA LIGHT

To install the IntelliBrite® White Pool Light and Spa Light fixture:

1. Route light cable through conduit to Junction Box, leaving at least four (4) feet of cable at the light fixture to coil around the light (this allows the light to be serviced after the pool is filled with water). See Figure 1 below.

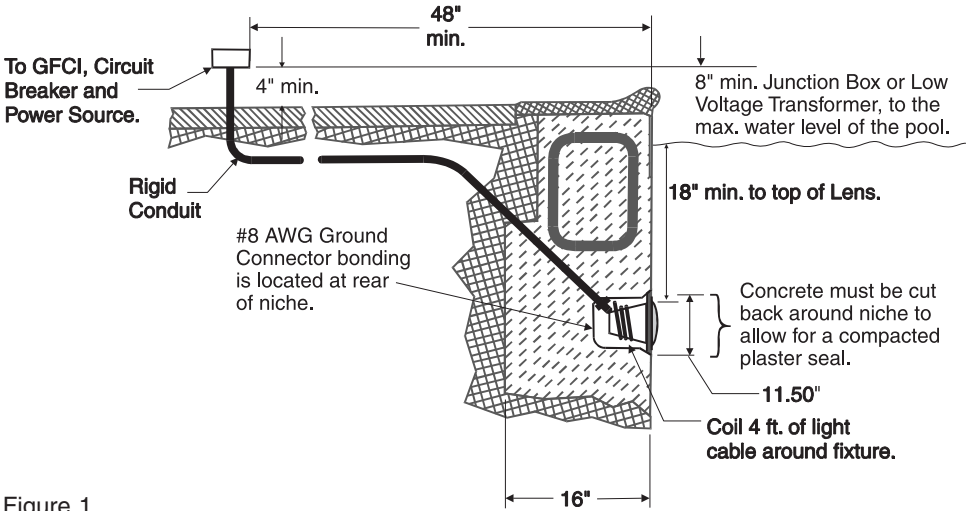


Figure 1.

2. Cut the cable at the Junction Box, leaving at least six (6) inches (2.4 cm) of cord to make connections.
3. Strip back six (6) inches (2.4 cm) of the outer cord jacket to expose the three insulated conductors (be careful not to damage the insulation on the three (3) inner conductors). Strip a 1/2" of insulation off the three conductors. Be careful not to damage the copper conductor.
4. Connect all three (3) conductors to the corresponding circuit wires in the Junction Box and secure the Junction Box cover in place.

5. Install the IntelliBrite® light assembly into the niche and tighten the special bronze pilot screw.

**⚠ WARNING**

Use only the **special pilot screw provided** with this underwater light. This screw mounts and electrically grounds the housing securely to the mounting ring and wet niche. Failure to use the screw provided could create an electrical hazard which could result in death or serious injury to pool users, installers or others due to electrical shock.

Pilot screw (bronze)



IntelliBrite 5g White Pool Light

Pilot screw (bronze)



IntelliBrite 5G White Spa Light

6. Fill the pool until the underwater light is completely submerged in water before operating the light.
7. **Final check for proper light operation:** To check for proper operation, switch on the main switch or circuit breaker, and the switch that operates the IntelliBrite underwater light itself. The light should illuminate when power is applied. If not recheck the installation steps starting with Step 1 (page 7)

**FOR INTELLIBRITE WHITE POOL AND SPA LIGHT REMOVAL AND INSTALLATION INSTRUCTIONS SEE:**

- Replacing the IntelliBrite® 5g White Pool and Spa Light Assembly instructions, on page 4.
- Replacing the IntelliBrite White Spa Light Face Ring and Gasket or Gasket and Lens instructions, on page 17.

## REPLACING THE INTELLIBRITE® 5G WHITE POOL LIGHT CIRCUIT BOARD ASSEMBLY (IN AN EXISTING POOL)

When replacing or reassembling the IntelliBrite White Pool Circuit Board, the Gasket (P/N 79101601) or Gasket and Lens (619864Z) MUST ALSO BE REPLACED - SEE PAGE 15 FOR PART NUMBERS

### Removal and Installation of IntelliBrite 5g White Light Circuit Board

**⚠ DANGER**

**D A N G E R !**



#### RISK OF ELECTRICAL SHOCK OR ELECTROCUTION

Always disconnect power to the pool light at the circuit breaker before servicing the light. Failure to do so could result in death or serious injury to installer, service person, pool users, or others due to electrical shock.

1. Turn off main electrical switch or circuit breaker, as well as the switch which operates the IntelliBrite light itself.
2. Before starting make sure that you have a new lens gasket (P/N 79101601) and a IntelliBrite 5g white pool light circuit board assembly (P/N 619875Z - 300w, P/N 619916Z-400W, P/N 619917Z- 500w) ready to install (see page 15).

**⚠ WARNING**

Replace the light circuit board assembly with the same type and wattage. Failure to replace the light circuit board assembly with the same type will damage the light assembly and may cause an electrical hazard resulting in death or serious injury to pool users, installers, or others due to electrical shock, and may also cause damage to property.

**⚠ WARNING**

Always install a new lens gasket (P/N 79101601) whenever disassembling the IntelliBrite light assembly. Failure to do so may permit water to leak into the assembly which could cause:

- (a) an electrical hazard resulting in death or serious injury to pool users, installers, or others due to electrical shock, or
- (b) breakage of the lens, which likewise could result in serious injury to pool users, installers, or bystanders, or in damage to property.

3. **REMOVING THE INTELLIBRITE 5G WHITE POOL LIGHT ASSEMBLY:** Remove the pilot screw at top of face ring, remove the light assembly from the niche. Place the assembly on the deck. **Note:** It is not necessary to drain down the pool.
4. Unwind the cord from the base of the light housing.

Pilot screw (bronze)



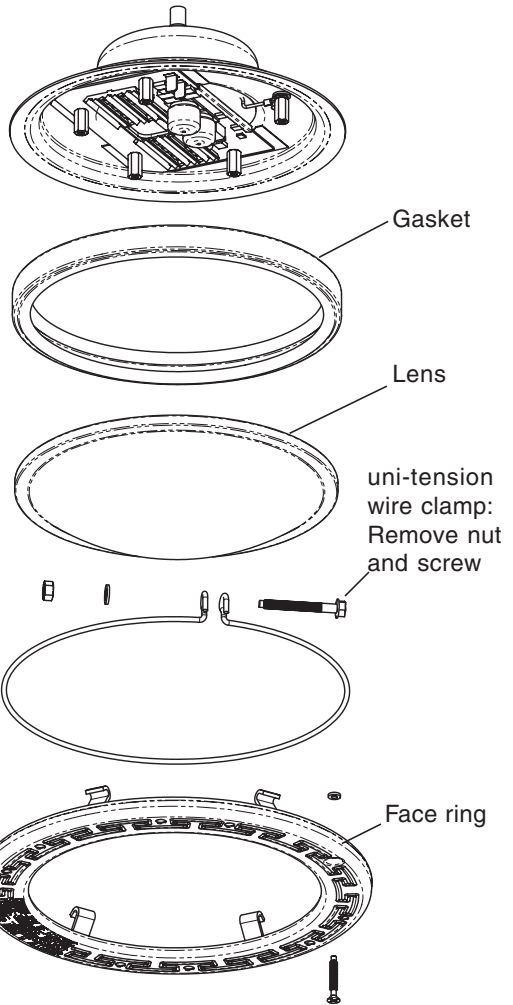
IntelliBrite 5g White Pool Light

**⚠ WARNING**

Be sure to keep the pilot screw from the IntelliBrite light. This screw mounts and electrically grounds the housing securely to the mounting ring and wet niche. Failure to use the screw provided could create an electrical hazard which could result in death or serious injury to pool users, installers or others due to electrical shock.

## REPLACING THE INTELLIBRITE® WHITE POOL LIGHT CIRCUIT BOARD ASSEMBLY (IN AN EXISTING POOL) (Continued)

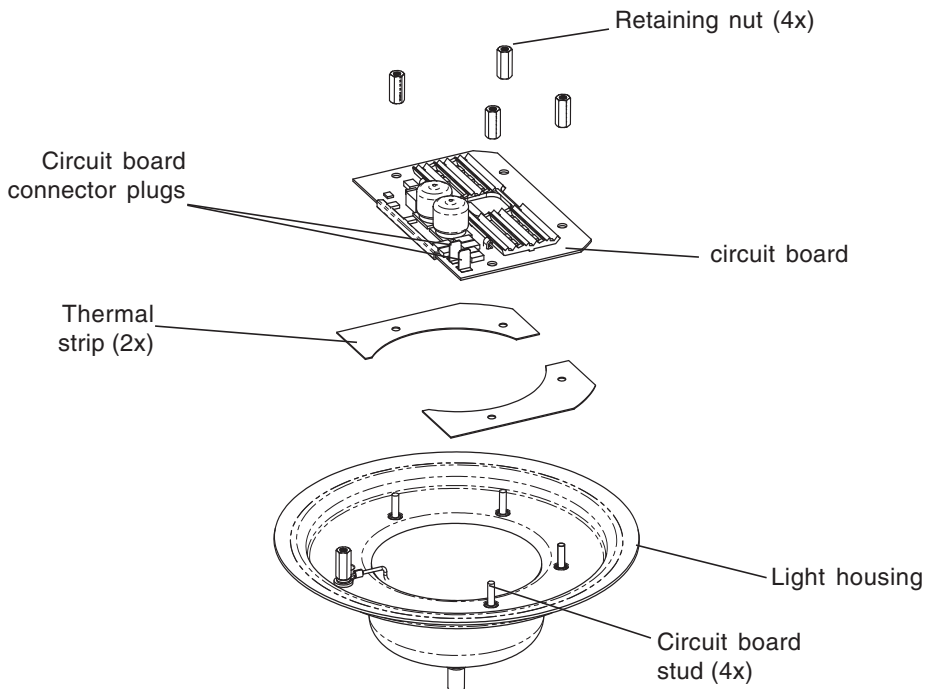
5. Place a cloth on the ground to protect the lens. Turn the light over so the lens is resting on the cloth. Using a  $\frac{1}{4}$ " nut driver and a #3 Phillips screwdriver, remove the nut uni-tension wire clamp. Place the nut aside for reinstallation.
6. Remove the face ring and wire clamp from the light housing.
7. With the light resting on its base, carefully pry off the gasket to remove the lens. Set the lens aside for installation later. Discard the gasket.



**Note: A NEW LENS GASKET (P/N 79101601) MUST BE USED EACH TIME THE LIGHT IS REASSEMBLED. See page 15 for Replacement Kit part numbers.**

**Note:** Note the current position of the lens at the pilot screw (12 o'clock) position, before removing it from the fixture. "W" on the lens indicates wide angle, "N" indicates narrow angle. For more information, see page 13.

8. Using a  $\frac{1}{4}$ " nut driver, carefully remove the four retainer nuts from the light assembly (see illustration on next page). Place the nuts aside for reinstallation.
9. Unplug the two connector plugs from the circuit board. Lift up the circuit board and remove it from the light housing base.
10. Carefully lift off the old thermal strips from the base of the light housing base and discard. **Continue on next page.**



11. Place the two new thermal strips (provided) over the circuit board studs in the base of the light housing.
12. Place the light circuit board over the base studs and seat the circuit board on top of the thermal strips. Be sure the two connecting wires are not caught between the housing and the edge of the circuit board.
13. Using a ¼" nut driver, tighten each of the four (4) retaining nuts to a torque value of 6.0 (minimum) to 8.0 (maximum) in-lbs to secure the circuit board. **DO NOT OVERTIGHTEN THE CIRCUIT BOARD NUTS.**

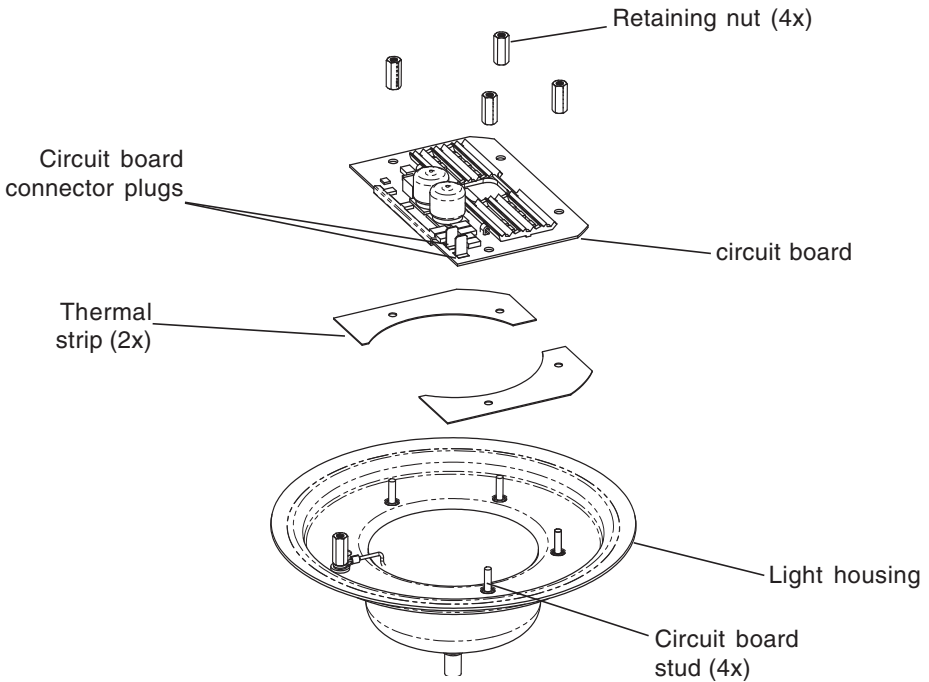
### **INSTALLING THE INTELLIBRITE® WHITE POOL LIGHT ASSEMBLY WITH NEW GASKET (see illustration on next page)**

**⚠ WARNING**

Be sure to install ALL of the four (4) retaining nuts. These nuts ensure proper electrical ground. Failure to install all of the retaining nuts could create an electrical hazard which could result in death or serious injury to pool users, installers or others due to electrical shock.

14. Connect the two connector plugs to the circuit board terminals.

***Continue on next page.***



15. **INSTALL NEW GASKET ONTO LENS:** Stretch the gasket around the circumference of the lens. Be sure the gasket is installed evenly around the lens.

16. **ALIGN LENS/GASKET ONTO LIGHT HOUSING:**

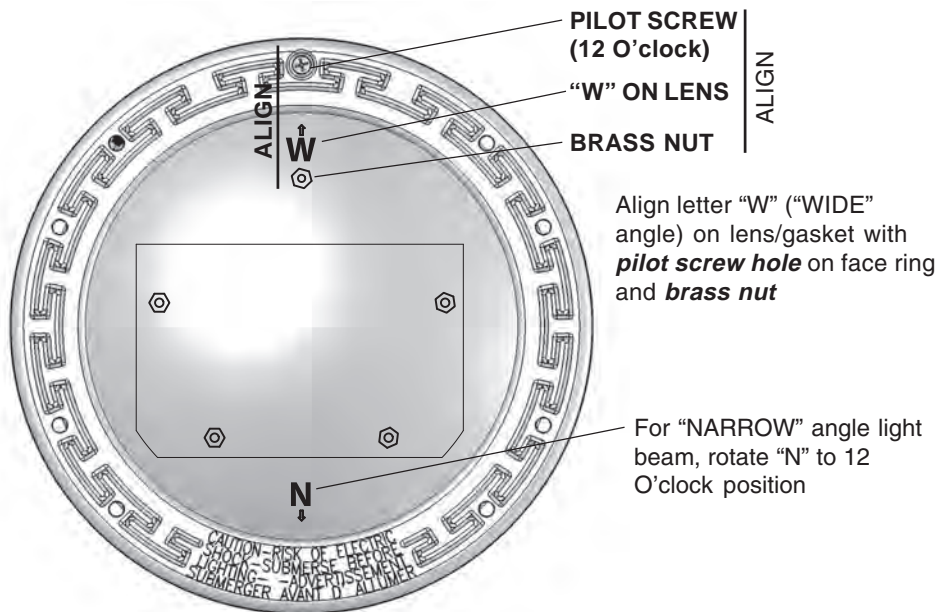
a) With the light housing resting on its base, place the lens/gasket on top of the light housing.

b) Rotate the lens/gasket to align the letter "W" ("WIDE" angle) on the lens with the brass nut in the housing (see diagram on page 13 for brass nut location).

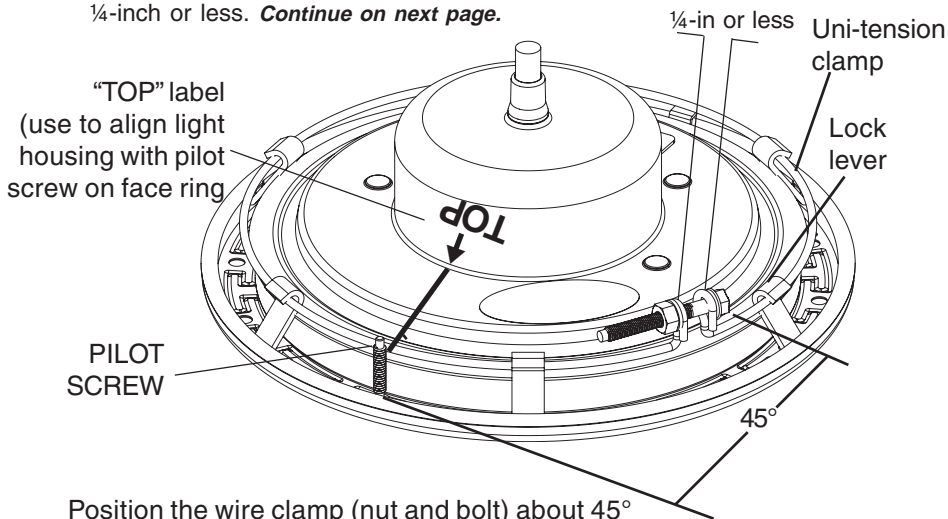
**Note:** The IntelliBrite light lens ships from the factory in the 'WIDE' (W) angle position. The "wide" position of the lens is typically located either end of the pool. To use the "NARROW" angle light beam, rotate the lens/gasket to align the letter "N" on lens. The "narrow" position of the lens is typically located either side of the pool. Note: For more information about using the "WIDE" and NARROW angle lens, see page 14.

17. **INSTALL FACE RING:** Place the face ring on top of the lens/gasket/housing. Rotate the face ring so the **pilot screw hole** is aligned in the 12 o'clock position, with the lens letter "W" (or "N") and the brass nut in the housing. Also, verify the "TOP" position arrow indicator label (see page 14) on the rear of the housing is aligned with the pilot screw on the face ring.





- INSTALL UNI-TENSION CLAMP:** With the hook ends of the circular uni-tension clamp pointing down, spread the clamp and place it in the "U" recesses of the locking levers. Be sure the hook ends of the clamp are located between the pair of locking levers as shown below and that the wire clamp is properly engaged with all of the lock levers.
- Place a cloth on the ground to protect the lens. Turn the light over so the lens is resting on the cloth. Be sure the orientation of the wire clamp and the bolt connection is positioned at 45°.
- Tighten the bolt and nut until the distance between the ends of the clamp equals ¼-inch or less. **Continue on next page.**



21. Coil at least four (4) feet of cord around the light fixture (see Figure 1 on page 7). This allows the light to be serviced after the pool is filled with water.
22. Install the special bronze pilot screw at the top of face ring to secure the light to the niche.
23. **Final check for proper IntelliBrite® Light operation:** Switch on the main switch or circuit breaker to the system and the switch that operates the IntelliBrite light itself. The light should illuminate when power is applied. If not recheck the installation steps starting with Step 1 (page 4).

Pilot screw (bronze)

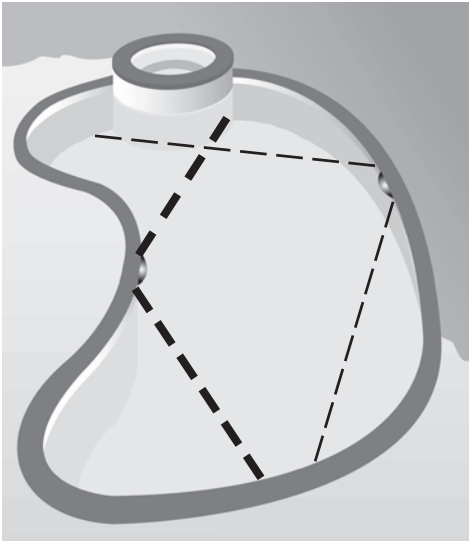


IntelliBrite Pool Light

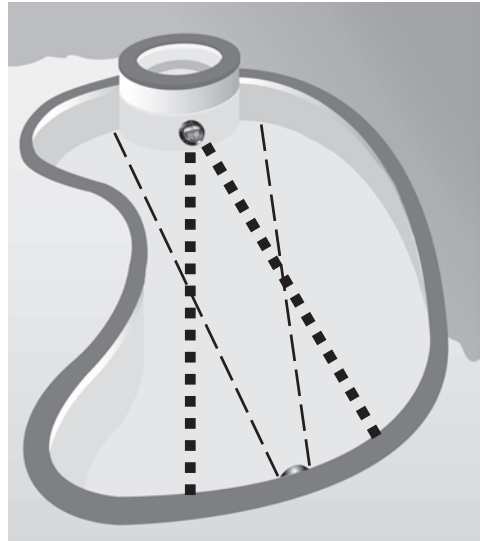
## Wide and Narrow Angle Lens Adjustment

### Wide and Narrow Angle Lens Feature

The IntelliBrite light lens geometry provides a choice of “wide” or “narrow” angle light beam to suit various size pools. For lights located on either side of the pool, rotate the lens to the ‘wide’ (W) angle position, which will provide a wider angle light beam for greater underwater coverage and light reflection the width of the pool. For lights located either end of the pool, rotate the lens to the ‘narrow’ (N) angle light beam position for increased underwater light intensity and distance. Note: The IntelliBrite light lens ships from the factory in the ‘WIDE’ (W) angle position.

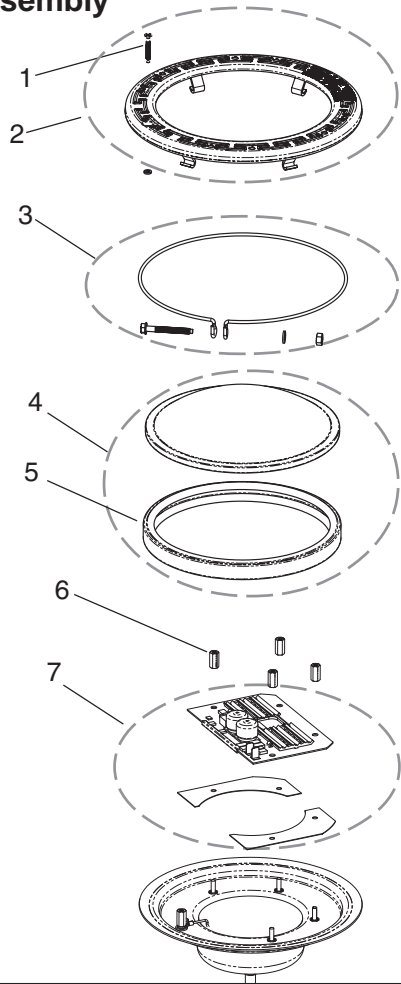


**WIDE ANGLE LIGHT BEAM  
(FOR SIDES OF POOL)**



**NARROW ANGLE LIGHT BEAM  
(FOR ENDS OF POOL)**

## IntelliBrite® White Pool Light Assembly Replacement Kit Part Numbers



**Note:** A 120 VAC to 12 VAC external transformer is required for the 12 VAC model IntelliBrite pool white light. See page 1 for more information.

Item No.	Kit Part No.	Description
2, 3, 5	600095	Face Ring assembly, stainless steel. - Uni-tension wire clamp assembly. - Gasket, 8-3/8 in. diameter, silicon.
4, 5	619864Z	Replacement Lens Kit. - Gasket, 8-3/8 in. diameter, off white. - Lens, IntelliBrite, Pool, 8-3/8 in. diameter, tempered.
3, 5, 7	619875Z (300W), 619916 Z (400W), 619917Z (500W)	Replacement kit includes: Circuit Board, Thermal Strips (2x). - Uni-tension wire clamp assembly. - Gasket, 8-3/8 in. diameter, off white.
1	79104800	Pilot screw, with captive gum washer.
5	79101601	Gasket, 8-3/8 in. diameter, silicone.

**Note:** The 120 VAC IntelliBrite pool white light has an integrated 12 VAC transformer.

## IntelliBrite 5g White Pool Light Assembly (UL/CAS listing)

<b>Product Model</b>	<b>Voltage</b>	<b>Cord Length (feet)</b>
<b>601100</b>	<b>120V</b>	<b>30'</b>
601101	120V	50'
601102	120V	100'
601103	120V	150'
601104	120V	250'
601105	12V	30'
601106	12V	50'
601107	12V	100'
601108	12V	150'
<b>601200</b>	<b>120V</b>	<b>30'</b>
601201	120V	50'
601202	120V	100'
601203	120V	150'
601204	120V	250'
601205	12V	30'
601206	12V	50'
601207	12V	100'
601208	12V	150'
<b>601300</b>	<b>120V</b>	<b>30'</b>
601301	120V	50'
601302	120V	100'
601303	120V	150'
601304	120V	250'
601305	12V	30'
601306	12V	50'
601307	12V	100'
601308	12V	150'

## Replacing the IntelliBrite® 5G White Spa Light Face ring and Gasket (P/N 640045) or Gasket and Lens (640046) see page 21

**Note:** When replacing an IntelliBrite 5G White Spa light assembly, a new spa light assembly includes a light engine, lens, gasket and face ring (for part light assembly part numbers, see page 21 ).

### **⚠ DANGER**



### **D A N G E R !**

#### **RISK OF ELECTRICAL SHOCK OR ELECTROCUTION**

Always disconnect power to the pool light at the circuit breaker before servicing the light. Failure to do so could result in death or serious injury to installer, pool professional, pool users, or others due to electrical shock.

1. **Turn off main electrical switch or circuit breaker**, as well as the switch which operates the IntelliBrite underwater light itself.

### **⚠ WARNING**

Always install a new lens gasket (P/N 79108600 - see page 21). whenever disassembling the IntelliBrite light assembly. Failure to do so may permit water to leak into the assembly which could cause: **(a)** an electrical hazard resulting in death or serious injury to pool users, installers, or others due to electrical shock, or **(b)** breakage of the lens, which likewise could result in serious injury to pool users, installers, or bystanders, or in damage to property.

**Pilot screw (bronze)**



**IntelliBrite White Spa Light**

2. **REMOVING THE INTELLIBRITE WHITE SPA LIGHT:** Remove the pilot screw at top of face ring, remove the light assembly from the niche. Place the assembly on the deck. **Note:** It is not necessary to drain down the pool.

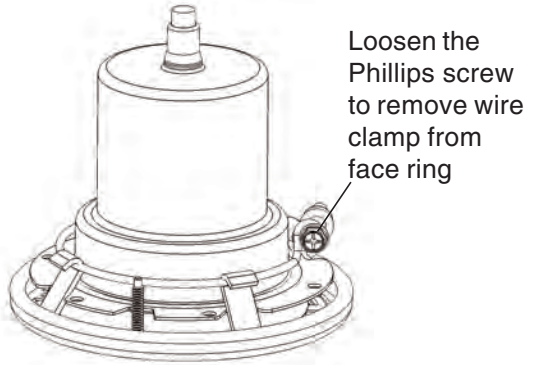
### **⚠ WARNING**

Be sure to keep the pilot screw from the IntelliBrite underwater light. This screw mounts and electrically grounds the housing securely to the mounting ring and wet niche. Failure to use the screw provided could create an electrical hazard which could result in death or serious injury to pool users, installers or others due to electrical shock.

- Using a #3 Phillips head screwdriver, loosen the CLAMP SCREW and remove uni-tension wire clamp from the face ring.
- Remove the face ring and wire clamp from the light housing and **set aside for installation later.**

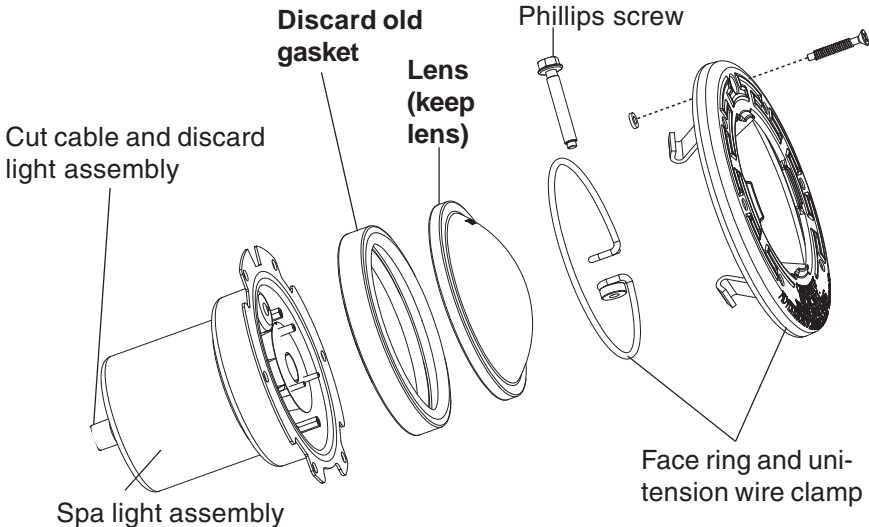
**Note:** A 120 VAC to 12 VAC external transformer is required for the 12 VAC model IntelliBrite® Spa Light. See page 2 for more information.

**Note:** The IntelliBrite Spa Light fixture is a sealed light assembly with no replaceable circuit board assembly. Only the lens, gasket and face ring can be removed from the sealed light assembly for replacement. See page 23 for replacement kit part numbers.

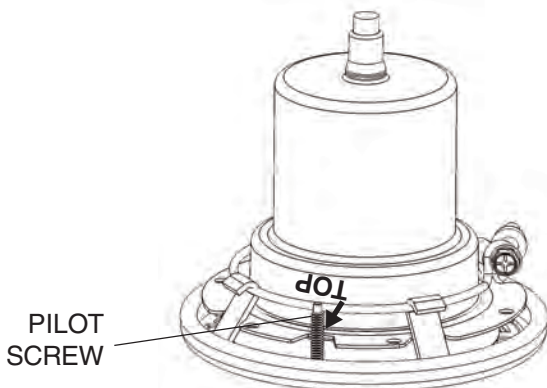


Spa light fixture with lens, gasket and face ring attached

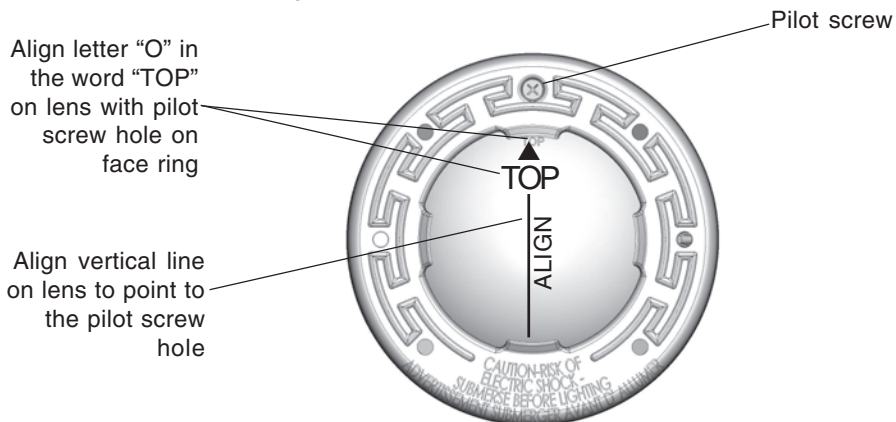
- With the light assembly resting on its base, carefully pry off the gasket to release the lens. Discard the gasket. A NEW LENS GASKET MUST BE USED EACH TIME THE SPA LIGHT IS REASSEMBLED
- Disconnect the IntelliBrite Spa color light assembly cord from the junction box. **Cut the cord near the back of the light assembly and discard the light.** See page 6 for replacement instructions for the new spa light.



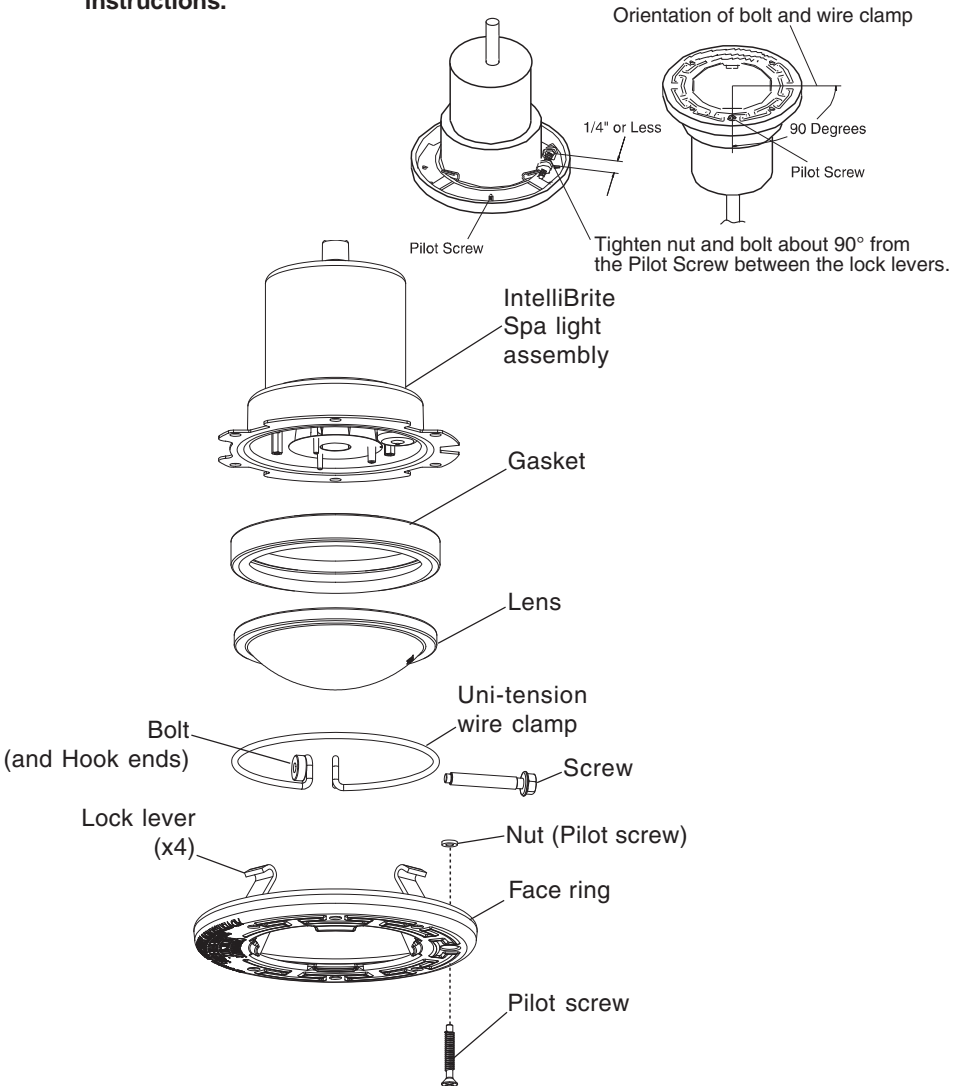
7. **INSTALLING THE INTELLIBRITE® SPA LIGHT WITH NEW GASKET:** Install a new gasket during reassembly of the IntelliBrite spa color light. A **NEW LENS GASKET MUST BE USED EACH TIME THE LIGHT IS REASSEMBLED.**
8. **Install the new gasket onto the lens:** With the light housing resting on its base, place the lens then the gasket on top of the light housing.
9. **INSTALL FACE RING:** Place the face ring on top of the lens/gasket/housing. Rotate the light housing to align the “TOP” position arrow indicator label on the rear of the housing is aligned with the pilot screw on the face ring. Place the face ring on top of the gasket. Make sure that the lens and gasket are centered correctly on the light housing.



10. **Aligning the face ring and lens:** Align the face ring and vertical line on the lens so that the letter “O” in the word “TOP” and the small arrow above it) on the surface of the lens points to the 12 O’clock position and with pilot screw hole on the face ring.

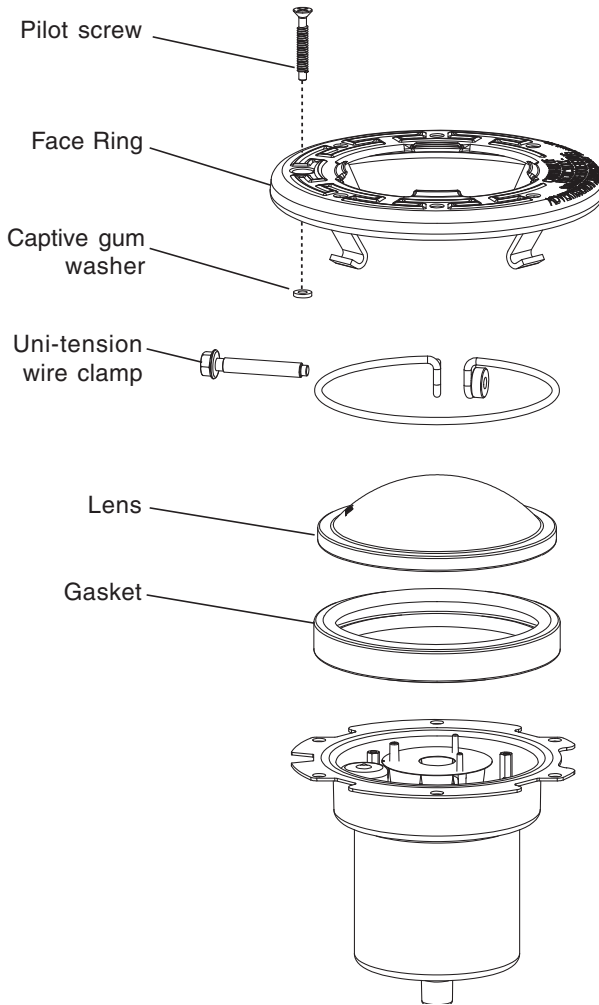


11. **INSTALL UNI-TENSION CLAMP:** With the hook ends of the circular uni-tension clamp pointing down, spread the clamp and place it in the “U” recesses of the locking levers. Be sure the hook ends of the clamp are located between the pair of locking levers as shown below and that the wire clamp is properly engaged with all of the lock levers.
12. Place a cloth on the ground to protect the lens. Turn the light over so the lens is resting on the cloth. Be sure the orientation of the wire clamp and the bolt connection is positioned at 45°. Tighten the bolt and nut until the distance between the ends of the clamp equals 1/4-in or less.
13. **PROCEED TO “Replacing the IntelliBrite® White Spa Light Assembly (in an existing pool or spa)” on page 3 for spa light assembly installation instructions.**





## IntelliBrite® 5g White Spa Light Replacement Kit Numbers



Kit Part No.	Description
640045	Face ring assembly, stainless steel - Uni-tension wire clamp assembly - Gasket, 4 in diameter, off white
640046	Gasket, 4 in diameter, off white - Lens, IntelliBrite, Spa, 4 in diameter, tempered
79104800	Pilot screw, with captive gum washer
791108600	- Gasket, 4 in diameter, silicone

**Note:** A 120 VAC to 12 VAC external transformer is required for the 12 VAC model IntelliBrite spa light. See page ii for more information.

**IntelliBrite® 5g White Spa Light Assembly (Listing UL/CSA)**

<b>Product Model</b>	<b>Voltage</b>	<b>Cord Length (feet)</b>
640140	120V	30'
640141	120V	50'
640142	120V	100'
640143	120V	150'
640144	120V	250'
640150	12V	30'
640151	12V	50'
640152	12V	100'
640153	12V	150'

## Note



PENTAIR AQUATIC SYSTEMS

1620 HAWKINS AVE., SANFORD, NC 27330 • (919) 566-8000  
10951 WEST LOS ANGELES AVE., MOORPARK, CA 93021 • (805) 553-5000  
WWW.PENTAIRPOOL.COM

All Pentair trademarks and logos are owned by Pentair, Inc. Pentair Aquatic Systems™, IntelliBrite®, EasyTouch®, IntelliTouch®, and SunTouch® are trademarks and/or registered trademarks of Pentair Water Pool and Spa, Inc. and/or its affiliated companies in the United States and/or other countries. Unless expressly noted, names and brands of third parties that may be used in this document are not used to indicate an affiliation or endorsement between the owners of these names and brands and Pentair Water Pool and Spa, Inc. Those names and brands may be the trademarks or registered trademarks of those third parties. Because we are continuously improving our products and services, Pentair reserves the right to change specifications without prior notice. Pentair is an equal opportunity employer.

© 2013 Pentair Aquatic Systems. All rights reserved. This document is subject to change without notice.



P/N 619921 REV. ; )#%



INTELLIBRITE® 5G  
LAMPE À DEL BLANCHE POUR SPA ET LAMPE À  
DEL COULEUR SUBMERSIBLE POUR PISCINE



GUIDE D'UTILISATION ET  
D'INSTALLATION

INSTRUCTIONS DE SÉCURITÉ IMPORTANTES  
LISEZ ET SUIVEZ TOUTES LES INSTRUCTIONS  
CONSERVEZ CES INSTRUCTIONS

## Soutien technique (USA)

Téléphone : (800) 831-7133 - Télécopie : (800) 284-4151

Sites Web : [www.pentairpool.com](http://www.pentairpool.com) et [www.staritepool.com](http://www.staritepool.com) :

### Table des matières

<b>INSTRUCTIONS DE SÉCURITÉ ET AVERTISSEMENTS IMPORTANTS .....</b>	<b>i</b>
Lampe à DEL IntelliBrite blanche submersible pour piscine et spa.....	1
Commande des lampes IntelliBrite par interrupteur mural .....	1
Utilisation d'un transformateur externe pour multiples lampes IntelliBrite de 12 VCA .....	1
Diagnostic .....	2
Remplacement de l'ensemble de lampe à DEL IntelliBrite blanche pour piscine et spa (piscine existante) .....	3
Installation de la lampe à DEL IntelliBrite blanche pour piscine et spa (construction de piscine neuve) .....	6
Installation de l'ensemble de lampe à DEL IntelliBrite blanche pour piscine et spa (une fois toutes les exigences d'alimentation satisfaites) .....	7
Remplacement de l'ensemble de carte de circuit imprimé de lampe à DEL IntelliBrite blanche pour piscine (piscine existante)) .....	9
Installation de l'ensemble de lampe à DEL IntelliBrite blanche pour piscine avec un joint neuf .....	11
Réglage de lentille à grand angle et à angle faible .....	14
Numéros de pièces des nécessaires de rechange d'ensemble de lampe à DEL IntelliBrite blanche pour piscine .....	15
Remplacement de l'anneau frontal de la lampe à DEL IntelliBrite blanche pour spa et du joint (pièce n° 640045) ou du joint et de la lentille (640046) .....	17
Numéros de pièces des nécessaires de rechange de lampe à DEL IntelliBrite blanche pour spa .....	21



# INSTRUCTIONS DE SÉCURITÉ ET AVERTISSEMENTS IMPORTANTS



**DES BLESSURES GRAVES OU LA MORT PEUVENT S'ENSUIVRE SI CETTE LAMPE N'EST PAS INSTALLÉE OU UTILISÉE CORRECTEMENT.**



**LES INSTALLATEURS, UTILISATEURS OU PROPRIÉTAIRES DE PISCINE DOIVENT LIRE CES AVERTISSEMENTS ET TOUTES LES INSTRUCTIONS AVANT D'UTILISER LA LAMPE À DEL POUR PISCINE ET/OU SPA.**



Les codes locaux et ceux de la majorité des provinces/états couvrent la construction, l'installation et l'utilisation des piscines et spas publiques et la construction de piscines et spas résidentiels. Il est important de se conformer à ces codes, dont un grand nombre régissent l'installation et l'utilisation de ce produit. Consultez les codes locaux du bâtiment et de la santé pour obtenir plus d'informations.



**AVIS IMPORTANT - À l'attention de l'installateur :** Ce guide d'utilisation et d'installation (« Guide ») comporte des informations importantes sur l'installation, le fonctionnement et l'utilisation sûre de cette lampe pour piscine et spa. Ce Guide doit être remis au propriétaire et/ou à l'utilisateur de cet équipement.



Avant d'installer ce produit, lisez et respectez tous les avertissements et instructions présentés dans ce Guide. Le non respect de ces avertissements et instructions peut entraîner des blessures graves, voire mortelles ou des dommages matériels. Composez le (800) 831-7133 pour d'autres copies gratuites de ces instructions. Veuillez vous reporter à [www.pentairpool.com](http://www.pentairpool.com) pour obtenir plus d'informations sur ce produit.



## RISQUE DE DÉCHARGE ÉLECTRIQUE OU D'ÉLECTROCUTION :

La lampe à DEL blanche pour spa et la lampe à DEL blanche 5g pour piscine IntelliBrite NÉCESSITENT UNE TENSION ÉLEVÉE QUI PEUT PROVOQUER UNE DÉCHARGE ÉLECTRIQUE, DES BRÛLURES OU LA MORT.

**AVANT DE TRAVAILLER SUR LES LAMPES INTELLIBRITE ! Débranchez toujours l'alimentation de l'éclairage de la piscine/du spa au niveau du disjoncteur de la lampe avant de faire l'entretien de celle-ci. Le non respect de cette consigne peut entraîner des blessures graves, voire mortelles, du réparateur, des utilisateurs de la piscine et d'autres personnes suite à une décharge électrique.**

Cette lampe submersible doit être installée par un électricien agréé ou certifié ou par un professionnel compétent en piscine conformément au National Electrical Code (NEC), NFPA 70 ou au Code canadien de l'électricité (CCE), CSA C22.1. Tous les codes et règlements locaux applicables doivent être respectés. Une installation inappropriée entraînera un risque d'électrocution d'où blessures graves, voire mortelles des utilisateurs, installateurs de la piscine ou autres personnes suite à une décharge électrique, pouvant aussi entraîner des dommages matériels. Débranchez toujours l'alimentation de l'éclairage de la piscine au niveau du disjoncteur avant de faire l'entretien de la lampe. Le non respect de cette consigne peut entraîner des blessures graves, voire mortelles des réparateurs, utilisateurs de la piscine et autres personnes suite à une décharge électrique.

LISEZ ET SUIVEZ TOUTES LES INSTRUCTIONS DE CE MANUEL.



## Informations de sécurité importantes pour l'installation de niche et de lampe Pentair Aquatic Systems ("Pentair")

- Toutes les installations de niches et de lampes doivent être conformes à tous les codes. Si les codes locaux exigent un joint de cordon, utilisez les niches en plastique de Pentair Aquatic Systems (pièce n° 79206600 et pièce n° 79206700) et un nécessaire de joint de cordon (pièce n° 670044).
- En **aucun cas**, les lampes ne peuvent être remplacées en faisant un épissage de fils situés sous l'eau ou derrière une niche.

## INSTRUCTIONS DE SÉCURITÉ ET AVERTISSEMENTS IMPORTANTS

### ⚠ AVERTISSEMENT

**RISQUE DE DÉCHARGE ÉLECTRIQUE ET DE BLESSURE. N'UTILISEZ QUE LA MÉTHODE D'INSTALLATION PRÉCISÉE CI-DESSOUS.**

Emplacement du luminaire installé	Appareil de fontaine de Pentair Aquatic Systems (pièces n°s 560001 et 560000)	Méthode d'installation requise
Piscine et spa	Luminaire (lampe) pour piscine (ou spa) à niche humide	Boîtier d'appareil (coque de formation) SEULEMENT. <b>N'UTILISEZ PAS</b> le support d'appareil à fontaine
Fontaine	Luminaire (lampe) pour piscine (ou spa) submersible à niche humide	Boîtier d'appareil (coque de formation) ou support d'appareil à fontaine

**(\*) Remarque :** Les luminaires à niche humide conformes aux exigences des deux types d'emploi peuvent porter les deux marques UL pour luminaires submersibles à niche humide listés. Un luminaire ne portant pas la marque d'homologation UL correspondante n'est pas considéré par UL comme étant fabriqué selon le service de suivi et la norme UL pour l'emplacement associé à l'installation.

**ATTENTION** - L'appareil d'éclairage à DEL IntelliBrite de Pentair ne doit être utilisé que dans des boîtiers (niches) Pentair Water Pool and Spa. Si l'appareil d'éclairage à DEL IntelliBrite est installé dans d'autres niches, l'installation ne portera pas l'homologation UL et les garanties seront nulles et non avenues.

**AVIS :** Le câble ou le cordon flexible externe de ce luminaire ne se remplace pas; si le cordon est endommagé, le luminaire doit être détruit.

### ⚠ AVERTISSEMENT

**Pour les pays en conformité avec les normes de la Commission électrotechnique internationale :** Cet appareil

d'éclairage doit être installé par un électricien agréé ou certifié ou par une personne qualifiée pour l'entretien de piscine, selon la norme IEC 364-7-702 et tous les codes et règlements locaux applicables. Une installation inappropriée créera un risque d'électrocution pouvant entraîner des blessures graves, voire mortelles des utilisateurs, installateurs de la piscine ou autres personnes suite à une décharge électrique, pouvant aussi entraîner des dommages matériels.

### ⚠ AVERTISSEMENT

Le sel est un matériau corrosif. Même si les niveaux de sel nécessaires pour un bon fonctionnement d'un générateur de chlore

électronique sont relativement faibles comparativement à l'eau de mer et aux autres solutions salines, toute quantité de sel quelle qu'elle soit dans votre piscine augmente la possibilité de corrosion ou d'autres détériorations de l'équipement de la piscine et de toute surface de la piscine ou d'objets avoisinants. Les pièces métalliques et certaines surfaces artificielles sont particulièrement susceptibles à la corrosion et à la détérioration lorsqu'elles sont utilisées dans des piscines d'eau salée ou près de celles-ci. Pentair Water Pool and Spa ne fournit pas de garantie et ne garantit pas que l'utilisation appropriée d'un générateur de chlore électronique empêchera la corrosion ou autre détérioration de l'équipement de piscine et de toute surface de la piscine ou se trouvant proche de celle-ci. Consultez votre professionnel compétent dans le domaine des piscines qui devrait pouvoir vous donner des conseils sur le bon choix des matériaux, les techniques d'installation de ces matériaux, ainsi que sur leur entretien et utilisation appropriés selon le type et l'emplacement particuliers de votre piscine afin de minimiser la corrosion et la détérioration des piscines d'eau salée et de leurs environs.



## Aperçu de la lampe à DEL IntelliBrite® blanche pour spa et la lampe à DEL IntelliBrite blanche 5g pour piscine

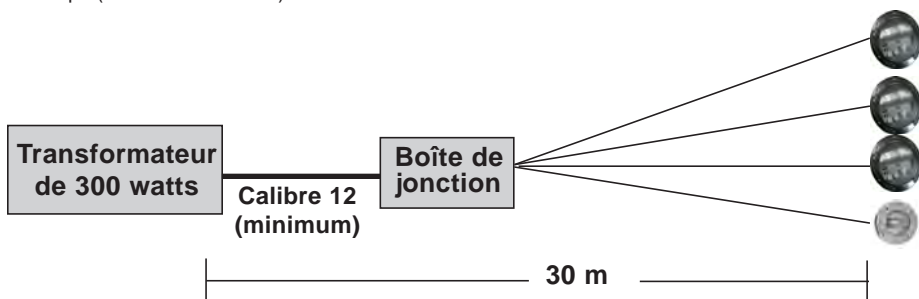
Ce manuel décrit comment installer la lampe à DEL IntelliBrite blanche 5g pour piscine et la lampe à DEL blanche pour spa. Ces lampes IntelliBrite donnent une lumière blanche vive qui produit un effet spectaculaire dans votre piscine et votre spa. La géométrie sans pareille de la lentille IntelliBrite donne un choix entre deux formes de faisceau lumineux : un à grand angle avec intensité moindre, ou un à angle faible mais avec une intensité plus élevée. Pour de plus amples renseignements, consultez la page 14.

### Commande des lampes IntelliBrite par interrupteur mural

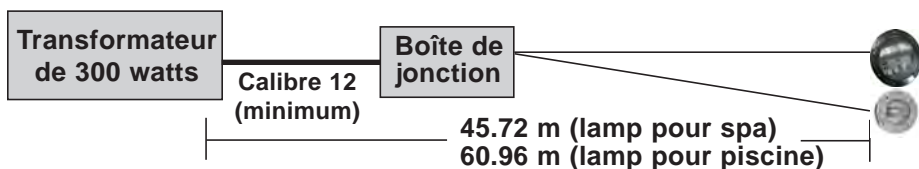
Il est possible de commander manuellement les lampes à DEL IntelliBrite blanches pour spa et piscine en utilisant un interrupteur mural. De multiples lampes IntelliBrite peuvent être connectées ensemble par l'intermédiaire d'une boîte de jonction à un seul interrupteur pour les allumer ou les éteindre toutes ensemble. Les lampes à DEL IntelliBrite peuvent aussi être commandées via des systèmes automatiques IntelliTouch®, EasyTouch® et SunTouch® de Pentair Water Pool and Spa®. Pour de plus amples renseignements, reportez-vous au Guide d'utilisation IntelliTouch (pièce n° 521075), au Guide d'utilisation EasyTouch (pièce n° 521044) et au Guide d'utilisation SunTouch (pièce n° 520785).

### Utilisation d'un transformateur externe pour multiples lampes IntelliBrite de 12 VCA

Lors de l'utilisation de multiples lampes à DEL IntelliBrite pour piscine de 12 VCA sur un **transformateur de 300 watts**, il est recommandé de ne pas utiliser plus de deux lampes IntelliBrite pour piscine et une (1) lampe IntelliBrite pour spa. Il est aussi recommandé que la longueur totale du câble ne dépasse pas 30 m (100 pi) entre le transformateur et la lampe (schéma ci-dessous).



Si une longueur de câble plus importante est nécessaire, il est recommandé d'utiliser un transformateur de 300 watts séparé pour chaque lampe avec une longueur de câble non supérieure à 61 m au total entre le transformateur et la lampe (schéma ci-dessous).



### Modèles de lampes à DEL IntelliBrite® blanches 5g pour piscine :

Il existe deux modèles de lampes à DEL IntelliBrite blanches 5g pour piscine :

- Lampe IntelliBrite® blanche 5g pour piscine, 120 VCA (pièce n° 600101) avec transformateur intégré de 12 VCA et une longueur de cordon de 15 m\*.
- Lampe IntelliBrite blanche 5g pour piscine, 12 VCA (pièce n° 600104) (nécessitant un transformateur de 120 VCA à 12 VCA) avec une longueur de cordon de 15 m\*

(\* ) La longueur du cordon varie entre 9 m et 30 m

Remarque : la longueur du cordon varie entre 9 m (30 pi) et 76 m (250 pi). Pour la liste de pièces de rechange pour lampe IntelliBrite blanche pour piscine, consultez la page 15.

### Modèles de lampes à DEL IntelliBrite® blanches pour spa :

Il existe deux modèles de lampes à DEL IntelliBrite blanches pour spa :

- Lampe à DEL IntelliBrite blanche pour spa, 120 VCA avec transformateur intégré de 12 VCA et cordon de 15 m (50 pi)\* (pièce n° 640051)
- Lampe à DEL IntelliBrite blanche pour spa, 12 VCA (nécessitant un transformateur de 120 VCA à 12 VCA) avec cordon de 15 m (50 pi)\* (pièce n° 640054)

(\* ) La longueur du cordon varie entre 9 m et 30 m

Remarque : la longueur du cordon varie entre 9 m (30 pi) et 76 m (250 pi). Pour la liste de pièces de rechange pour lampe IntelliBrite blanche pour spa, consultez la page 21.

### Diagnostic

Problème	Cause/Action
La lampe ne s'allume pas.	Vérifiez le câblage du disjoncteur différentiel et réenclenchez-le au besoin.
La lampe ne fonctionne pas correctement.	Vérifiez la connexion du câblage de la lampe au niveau de la boîte de jonction près de la piscine et au niveau de l'interrupteur CA.  Assurez-vous qu'une alimentation CA appropriée arrive à la lampe.

## Remplacement de l'ensemble de lampe à DEL IntelliBrite® blanche pour piscine et spa (piscine existante)



### Risque de décharge électrique ou d'électrocution!

La lampe submersible doit être installée par un électricien agréé ou certifié ou par une personne qualifiée et spécialisée en piscine, selon le National Electrical Code et tous les codes et règlements locaux applicables. Une installation inappropriée entraînera un risque d'électrocution d'où blessures graves, voire mortelles des utilisateurs, installateurs de la piscine ou autres personnes suite à une décharge électrique, pouvant aussi entraîner des dommages matériels.

Débranchez toujours l'alimentation de l'éclairage de la piscine au niveau du disjoncteur avant de faire l'entretien de la lampe. Le non respect de cette consigne peut entraîner des blessures graves, voire mortelles des réparateurs, utilisateurs de la piscine et autres personnes suite à une décharge électrique.

Vérifiez que la piscine et le spa sont conformes aux exigences du National Electrical Code et à tous les codes et règlements locaux applicables. Un électricien agréé ou certifié doit installer le circuit électrique afin qu'il réponde à ces exigences et même les dépasse avant même que la lampe submersible ne soit installée. Certaines exigences du National Electrical Code que doit respecter le circuit électrique de la piscine sont les suivantes :

- Le circuit de l'éclairage doit être équipé d'un disjoncteur différentiel (GFCI) pour les modèles prévus pour une alimentation sur le secteur, et d'un disjoncteur de calibre approprié.
- La boîte de jonction (ou, pour **les modèles de 12 volts**, le transformateur de basse tension) est située à au moins vingt (20) centimètres (8 pouces) au-dessus du niveau du sol et à au moins 122 cm (48 po) du bord de la piscine, Figure 1 à la page 7.
- L'appareil d'éclairage et tous les articles métalliques se trouvant à moins de 1,5 mètre (5 pieds) de la piscine doivent être correctement électriquement raccordés.
- La niche humide doit être correctement installée de manière que le bord supérieur de la lentille de la lampe se trouve à au moins 46 cm (18 po) en dessous de la surface de l'eau de la piscine, Figure 1 à la page 7.
- La niche humide doit être correctement électriquement raccordée et mise à la terre via le connecteur de terre de 8 AWG situé à l'arrière de la niche, Figure 1.

**Remarque :** Le circuit électrique de la piscine et du spa peut être vérifié en utilisant un nécessaire d'essai d'homologation électrique pour piscine et spa. Ce nécessaire d'essai est disponible auprès de Pentair Water Pool and Spa. L'inspection du circuit électrique à réaliser avec ce nécessaire doit être exécutée par du personnel certifié et compétent.

- Pour vous assurer que le circuit électrique répond à toutes les exigences applicables, l'électricien doit aussi consulter le Service de la construction local.
- N'utilisez que des niches humides Pentair Pool Products® pour assurer une liaison électrique et une mise à la terre appropriées.

## Remplacement de l'ensemble de lampe à DEL IntelliBrite® blanche pour piscine et spa (une fois toutes les exigences d'alimentation satisfaites)

Les instructions de dépose et d'installation décrivent comment enlever et installer l'ensemble de lampe à DEL IntelliBrite blanche pour piscine et spa. Utilisez aussi ces instructions après avoir terminé le remplacement suivant de la lampe :

- **Instructions d'installation et de dépose de la lentille, du joint de l'anneau frontal et de la lampe à DEL IntelliBrite blanche pour spa, page 17.**

### AVERTISSEMENT

Une installation inappropriée d'un circuit électrique pour la piscine ou le spa, avant la pose de la lampe submersible, non conforme aux exigences des codes, entraînera un risque d'électrocution d'où blessures graves, voire mortelles des utilisateurs, installateurs de la piscine ou autres personnes suite à une décharge électrique, et pouvant aussi entraîner des dommages matériels.

1. **AVERTISSEMENT ! Coupez l'alimentation au disjoncteur ou à l'interrupteur principal, et à l'interrupteur de l'alimentation de la lampe submersible IntelliBrite.**
2. **Dépose de la piscine de l'ensemble de lampe.** Retirez la vis-guide spéciale en laiton à la partie supérieure de l'anneau frontal. Retirez l'ensemble de la lampe IntelliBrite de la niche et placez-le sur le pourtour de la piscine.
3. Coupez le cordon à environ 30 cm (12 po) de l'arrière de l'ensemble de lampe.
4. Retirez le couvercle de la boîte de jonction, débranchez les fils de l'appareil d'éclairage et tirez le cordon par le conduit. **Conseil : Avant de tirer le cordon, rubanez le cordon neuf au cordon existant, pour faciliter l'insertion du cordon neuf dans le conduit (voyez l'étape suivante).**
5. Passez le cordon neuf de la lampe dans le conduit de la boîte de jonction jusqu'à la niche. **Remarque :** Selon la longueur du conduit, des outils spéciaux peuvent être nécessaires pour tirer le cordon d'un bout à l'autre du conduit.
6. Laissez au moins 1,2 m (4 pi) de cordon enroulé(s) autour de la lampe, Figure 1 à la page 3. Ce 1,2 m de cordon enroulé autour de la lampe permettra de connecter la lampe une fois que la piscine sera remplie d'eau.
7. Coupez le cordon au niveau de la boîte de jonction en laissant une longueur de cordon d'au moins 15 cm (6 po) pour réaliser les raccordements.
8. Enlevez 15 cm de la gaine extérieure du cordon pour exposer les trois fils isolés – Faites attention de ne pas endommager l'isolant de ces trois fils.

9. Branchez les trois fils aux fils du circuit correspondant dans la boîte de jonction (le noir à la phase, le blanc au neutre et le vert à la terre) et remontez le couvercle de la boîte de jonction.
10. Installez l'ensemble de lampe IntelliBrite® dans la niche et serrez la vis-guide spéciale en laiton.

**⚠ AVERTISSEMENT**

N'utilisez que **la vis-guide spéciale fournie** avec cette lampe submersible. Cette vis fixe le boîtier à l'anneau de montage et à la niche humide et les met à la terre. Une non utilisation de la vis fournie pourrait entraîner un risque d'électrocution d'où blessures graves, voire mortelles des utilisateurs, installateurs de la piscine ou autres personnes suite à une décharge électrique.

Vis-guide



Lampe à DEL IntelliBrite  
blanche pour piscine

Vis-guide



Lampe à DEL IntelliBrite  
blanche pour spa

11. **Vérification finale du bon fonctionnement de la lampe IntelliBrite :**  
Établissez l'alimentation à l'interrupteur principal ou au disjoncteur du circuit, et à l'interrupteur de l'alimentation de la lampe submersible IntelliBrite. La lampe doit s'allumer lorsque l'alimentation est établie. Sinon, revérifiez les étapes de l'installation à partir de l'étape 1 (page 4).

## INSTALLATION DE LA LAMPE À DEL INTELLIBRITE® BLANCHE POUR PISCINE ET SPA (CONSTRUCTION DE PISCINE NEUVE)

Ce qui suit décrit comment installer un appareil d'éclairage à DEL IntelliBrite blanc pour piscine et spa. Lisez la page 3 avant de commencer l'installation.

**AVANT DE COMMENCER : Les étapes suivantes 1-8 (pages 4-7) décrivent les tâches que l'électricien doit accomplir avant d'installer l'appareil d'éclairage IntelliBrite. Consultez le schéma de la Figure 1 à la page 7.**

### AVERTISSEMENT

Assurez-vous que la piscine ou le spa est conforme aux exigences du National Electrical Code (N.E.C.) actuel, Article 680-22, et à tous les codes et règlements locaux applicables. Un électricien agréé ou certifié doit installer le circuit électrique afin qu'il réponde à ces exigences et même les dépasse avant même que la lampe submersible ne soit installée. Certaines exigences du National Electrical Code que doit respecter le circuit électrique de la piscine sont les suivantes :

Le circuit de l'éclairage doit être équipé d'un disjoncteur différentiel (GFCI) pour les modèles prévus pour une alimentation sur le secteur, et d'un disjoncteur de calibre approprié.

- La boîte de jonction (ou, pour les modèles de 12 volts, le transformateur de basse tension) est située à au moins 20 cm au-dessus du niveau maximal de l'eau et à au moins 1,2 m du bord de la piscine, Figure 1.
- L'appareil d'éclairage et tous les articles métalliques se trouvant à moins de 1,5 m de la piscine doivent être correctement électriquement raccordés.
- La niche humide doit être correctement installée de manière que le bord supérieur de la lentille de la lampe submersible se trouve à au moins 46 cm en dessous de la surface de l'eau de la piscine, Figure 1. (Au Canada, pas à une profondeur de plus de 51 cm.)
- La niche humide doit être correctement électriquement raccordée et mise à la terre via le connecteur de terre de 8 AWG situé à l'arrière de la niche, Figure 1.

**Remarque :** Le circuit électrique de la piscine ou du spa peut être vérifié en utilisant un nécessaire d'essai d'homologation électrique pour piscine et spa. Ce nécessaire d'essai est disponible auprès de Pentair Water Pool and Spa®. L'inspection du circuit électrique à réaliser avec ce nécessaire doit être exécutée par du personnel certifié et compétent.

**Remarque :** *Pour vous assurer que le circuit électrique de la piscine ou du spa répond à toutes les exigences applicables, l'électricien doit aussi consulter le Service de la construction local. N'utilisez que des niches humides de Pentair Water Pool and Spa pour assurer une liaison électrique et une mise à la terre appropriées.*

## INSTALLATION DE L'ENSEMBLE DE LAMPE À DEL INTELLIBRITE® BLANCHE POUR PISCINE ET SPA (UNE FOIS TOUTES LES EXIGENCES D'ALIMENTATION SATISFAITES)

Installation de l'appareil d'éclairage IntelliBrite :

1. Introduisez le cordon dans le conduit jusqu'à la boîte de jonction, en laissant au moins 1,2 m de cordon enroulé autour de l'appareil d'éclairage (ceci permet de connecter la lampe une fois la piscine remplie d'eau). Consultez la Figure 1 ci-dessous.

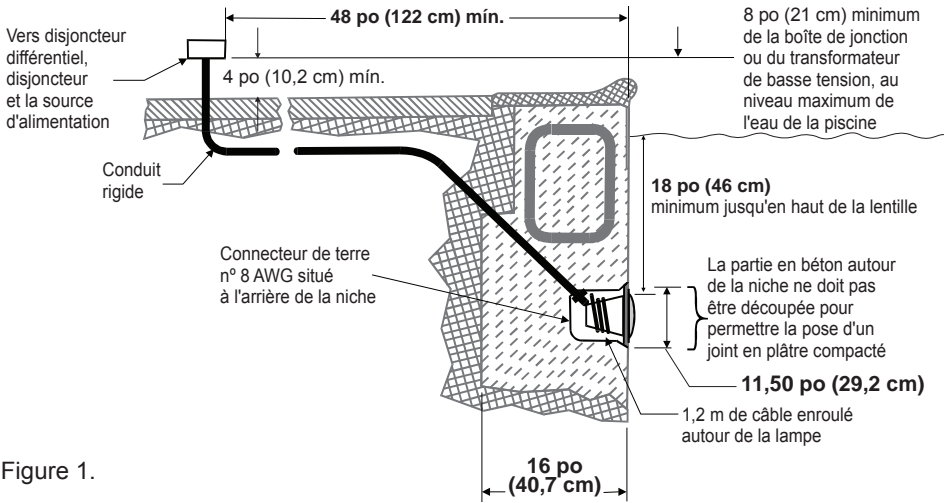


Figure 1.

2. Coupez le cordon au niveau de la boîte de jonction en laissant une longueur de cordon d'au moins 15 cm pour réaliser les raccordements.
3. Enlevez 15 cm de la gaine extérieure du cordon pour exposer les trois fils isolés (faites attention de ne pas endommager l'isolant de ces trois [3] fils).
4. Branchez les trois (3) fils aux fils du circuit correspondant dans la boîte de jonction et remontez bien le couvercle de la boîte de jonction.

**⚠ AVERTISSEMENT**

N'utilisez jamais cette lampe submersible pendant plus de dix (10) secondes sauf si elle est complètement submergée dans l'eau. S'il n'est pas entièrement sous l'eau, l'ensemble de lampe devient extrêmement chaud, et peut entraîner des brûlures graves ou une rupture de la lentille. Ceci pourrait provoquer des blessures graves des utilisateurs, installateurs ou autres personnes se trouvant dans la zone de la piscine, ou des dommages matériels.

5. Installez l'ensemble de lampe IntelliBrite dans la niche et serrez la vis-guide spéciale en laiton.

**⚠ AVERTISSEMENT**

N'utilisez que **la vis-guide spéciale fournie** avec cette lampe submersible. Cette vis fixe le boîtier à l'anneau de montage et à la niche humide et les met à la terre. Une non utilisation de la vis fournie pourrait entraîner un risque d'électrocution d'où blessures graves, voire mortelles des utilisateurs, installateurs de la piscine ou autres personnes suite à une décharge électrique.

Vis-guide (laiton)

Lampe à DEL IntelliBrite  
blanche pour piscine

Vis-guide

Lampe à DEL IntelliBrite  
blanche pour spa

6. Remplissez la piscine jusqu'à ce que la lampe soit complètement submergée par l'eau avant d'allumer la lampe pendant plus de dix (10) secondes.
7. **Vérification finale du bon fonctionnement de la lampe :** Pour vérifier le bon fonctionnement, établissez le courant à l'interrupteur principal ou au disjoncteur, et à l'interrupteur de l'alimentation de la lampe submersible IntelliBrite elle-même. La lampe doit s'allumer lorsque l'alimentation est établie. Sinon, revérifiez les étapes de l'installation à partir de l'étape 1 (page 7).

**POUR LES INSTRUCTIONS D'INSTALLATION ET DE DÉPOSE DE LA LAMPE  
À DEL INTELLIBRITE® BLANCHE POUR PISCINE ET SPA, CONSULTEZ :**

- **Instructions d'installation et de dépose de la lampe IntelliBrite blanche pour piscine, page 4.**
- **Instructions d'installation et de dépose de la lampe à DEL IntelliBrite blanche pour spa, page 17.**



## REPLACEMENT DE L'ENSEMBLE DE CARTE DE CIRCUIT IMPRIMÉ DE LAMPE À DEL INTELLIBRITE® BLANCHE POUR PISCINE (PISCINE EXISTANTE)

Lors du remplacement ou du remontage de la lampe IntelliBrite blanche pour piscine, le joint (pièce n° 79101600) ou le joint et la lentille (619864) **DOIVENT ÉGALEMENT ÊTRE REMPLACÉS - VOYEZ LA PAGE 15 POUR LE NUMÉRO DES PIÈCES**

Dépose et installation de la carte de circuit imprimé de la lampe IntelliBrite blanche 5g

**⚠ DANGER**



**D A N G E R !**

### RISQUE DE DÉCHARGE ÉLECTRIQUE OU D'ÉLECTROCUTION

Débranchez toujours l'alimentation de l'éclairage de la piscine au niveau du disjoncteur avant de faire l'entretien de la lampe. Le non respect de cette consigne peut entraîner des blessures graves, voire mortelles, du réparateur, des utilisateurs de la piscine et d'autres personnes suite à une décharge électrique.

1. **Coupez l'alimentation à l'interrupteur principal ou au disjoncteur**, et à l'interrupteur de l'alimentation de la lampe IntelliBrite elle-même.
2. Avant de commencer, assurez-vous d'avoir un joint de lentille neuf (pièce n° 79101600) et un ensemble de lampe à DEL IntelliBrite blanche 5g pour piscine (pièce n° 619834Z) prêt à être installé.

**⚠ AVERTISSEMENT**

Remplacez l'ensemble de lampe par un ensemble du même type et de la même puissance en watts. Un non remplacement de l'ensemble par un ensemble du même type endommagera l'ensemble de lampe à DEL et pourrait entraîner un risque d'électrocution d'où blessures graves, voire mortelles des utilisateurs, installateurs de la piscine ou autres personnes suite à une décharge électrique, et pouvant aussi entraîner des dommages matériels.

**⚠ AVERTISSEMENT**

Installez toujours un joint de lentille neuf (pièce n° 79101600) chaque fois que l'ensemble de lampe IntelliBrite est démonté. Sinon, de l'eau pourrait pénétrer dans l'ensemble et entraîner :

- (a) un risque d'électrocution d'où blessures graves, voire mortelles des utilisateurs, installateurs de la piscine ou autres personnes suite à une décharge électrique, ou
- (b) une rupture de la lentille, qui pourrait aussi entraîner des blessures graves des utilisateurs, installateurs ou autres personnes se trouvant dans la zone de la piscine, ou des dommages matériels.

3. **DÉPOSE DE L'ENSEMBLE DE LAMPE À DEL INTELLIBRITE BLANCHE POUR PISCINE** : Retirez la vis-guide à la partie supérieure de l'anneau frontal, retirez l'ensemble de lampe de la niche. **Remarque** : Il n'est pas nécessaire de vider partiellement la piscine.
4. Déroulez le cordon de la base du boîtier de la lampe.

Vis-guide (laiton)



Lampe à DEL IntelliBrite  
blanche pour piscine

**⚠ AVERTISSEMENT**

Assurez-vous de conserver la vis-guide de la lampe à DEL IntelliBrite submersible. Cette vis fixe le boîtier à l'anneau de montage et à la niche humide et les met à la terre. Une non utilisation de la vis fournie pourrait entraîner un risque d'électrocution d'où blessures graves, voire mortelles des utilisateurs, installateurs de la piscine ou autres personnes suite à une décharge électrique.

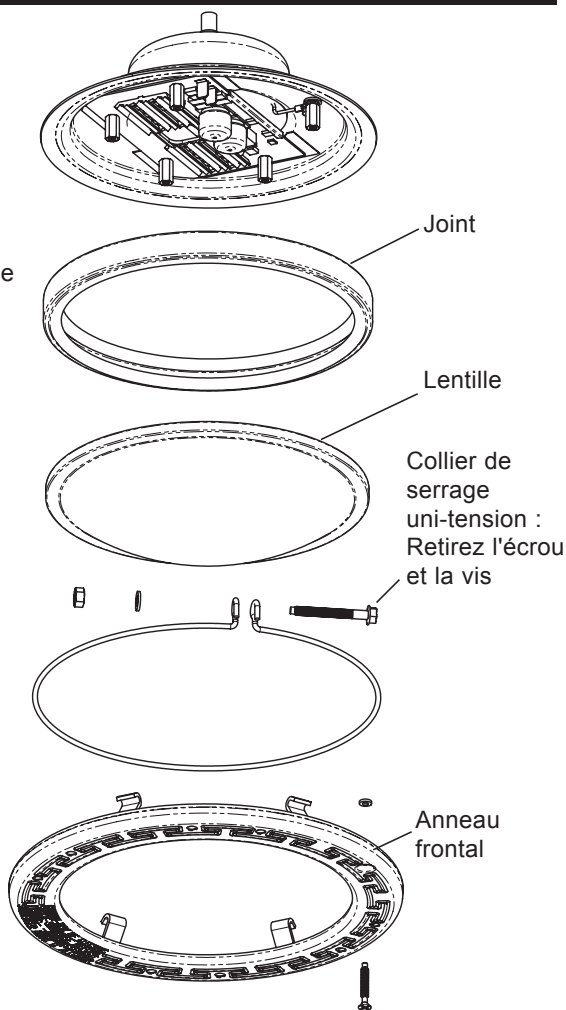
## REPLACEMENT DE L'ENSEMBLE DE CARTE DE CIRCUIT IMPRIMÉ DE LAMPE À DEL INTELLIBRITE® BLANCHE POUR PISCINE (PISCINE EXISTANTE) (SUITE)

5. Placez un chiffon sur le sol pour ne pas abîmer la lentille. Retournez la lampe pour que la lentille repose sur le chiffon. À l'aide d'un tourne-écrou de ¼ po et d'un tournevis Phillips n° 3, retirez le collier de serrage uni-tension. Mettez l'écrou de côté pour le remontage.

6. Retirez l'anneau frontal et le collier de serrage du boîtier de la lampe.

7. La lampe reposant sur sa base, enlevez soigneusement le joint pour extraire la lentille. Mettez la lentille de côté pour le remontage. Jetez le joint.

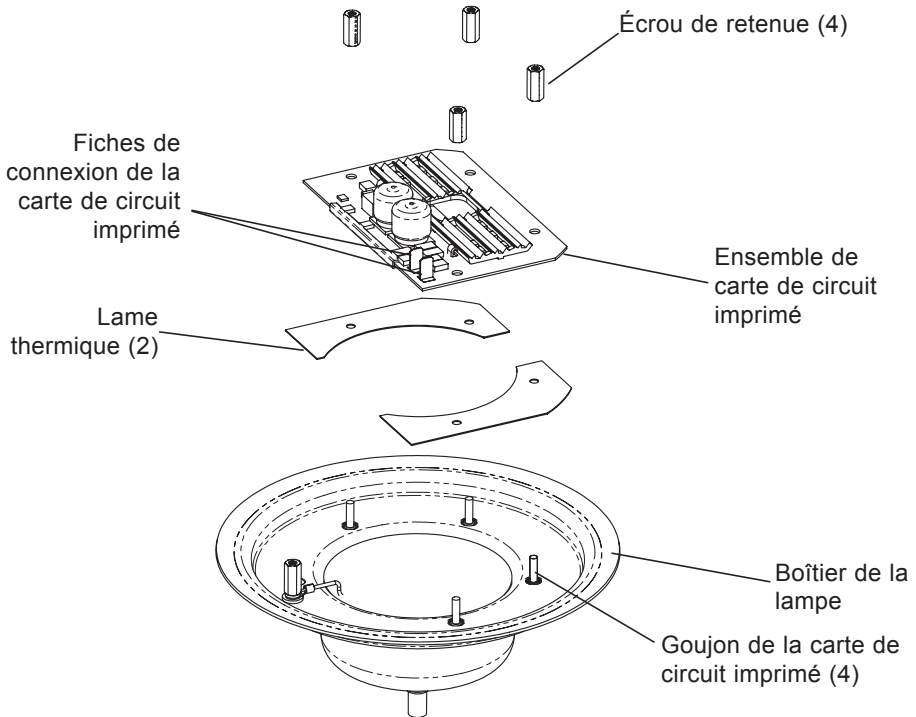
**Remarque : UN JOINT NEUF (PIÈCE N° 79101600) DOIT ÊTRE UTILISÉ À CHAQUE REMONTAGE DE LA LAMPE. Consultez la page 15, pour le numéro de pièce des nécessaires de rechange.**



Remarque : Prenez note de la position actuelle de la lentille au niveau de la vis-guide (12 h), avant de la retirer de l'appareil d'éclairage. Un « W » sur la lentille indique un grand angle, un « N » un angle faible. Pour de plus amples renseignements, consultez la page 14.

8. À l'aide d'un tourne-écrou de ¼ po, enlevez soigneusement les quatre écrous de retenue de l'ensemble de lampe à DEL (illustration à la page suivante). Mettez les écrous de côté pour le remontage.
9. Débranchez les deux fiches de la carte de circuit imprimé. Soulevez la carte de circuit imprimé et retirez-la de la base du boîtier de la lampe.
10. Soulevez soigneusement les lames thermiques du fond de la base du boîtier de la lampe.

**Suite à la page suivante.**



11. Placez les deux lames thermiques (fournies) sur les goujons de la carte de circuit imprimé dans la base du boîtier de la lampe (consultez l'illustration à la page suivante).
12. Placez la carte de circuit imprimé de la lampe sur les goujons de la base et logez la carte de circuit imprimé sur les lames thermiques. Assurez-vous que les deux fils de connexion ne se trouvent pas pris entre le boîtier et le bord de la carte de circuit imprimé.
13. En utilisant une clé à douille  $\frac{1}{4}$  ", serrez chacun des quatre (4) en conservant les noix à une valeur de couple de 6,0 (minimum) à 8,0 (maximum) en lbs pour sécuriser le circuit. Ne serrez pas les NUTS circuit..

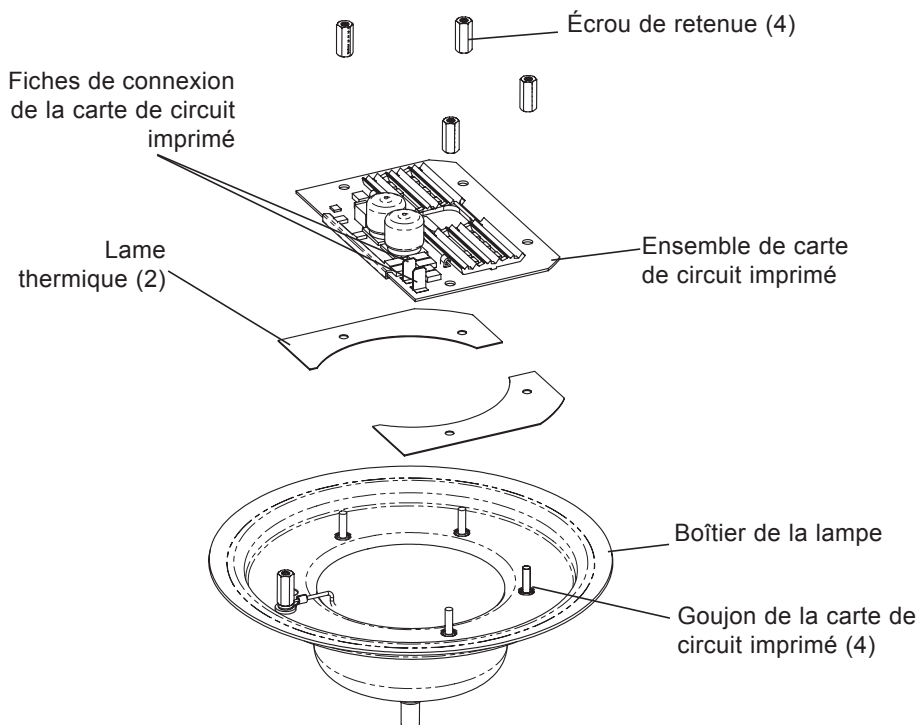
### INSTALLATION DE L'ENSEMBLE DE LAMPE À DEL INTELLIBRITE® BLANCHE POUR PISCINE AVEC UN JOINT NEUF (consultez l'illustration à la page suivante)

#### **⚠ AVERTISSEMENT**

Assurez-vous d'installer TOUS les quatre (4) écrous de retenue. Ces écrous permettent d'assurer une liaison à la terre appropriée. Une non utilisation de tous les écrous de retenue pourrait entraîner un risque d'électrocution d'où blessures graves, voire mortelles des utilisateurs, installateurs de la piscine ou autres personnes suite à une décharge électrique.

14. Branchez les deux fiches de connexion aux bornes de la carte de circuit imprimé.

**Suite à la page suivante.**



15. **Installez UN JOINT NEUF SUR LA LENTILLE (consultez l'illustration à la page suivante)** : Étirez le joint en le plaçant sur le pourtour de la lentille. Assurez-vous que le joint est installé uniformément autour de la lentille.

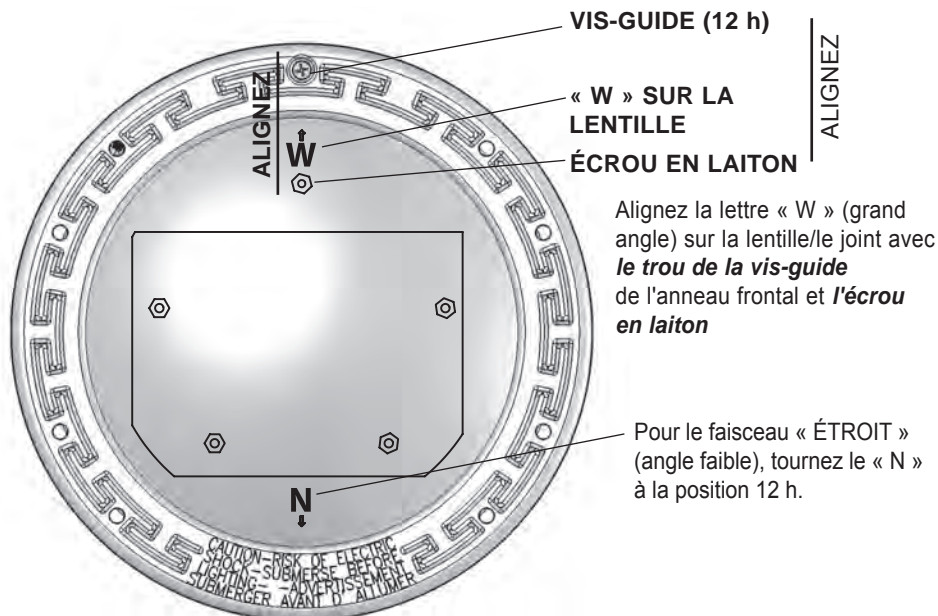
16. **ALIGNEZ LA LENTILLE/LE JOINT SUR LE BOÎTIER DE LA LAMPE :**

a) Le boîtier de la lampe reposant sur sa base, placez la lentille/le joint sur le boîtier de la lampe.

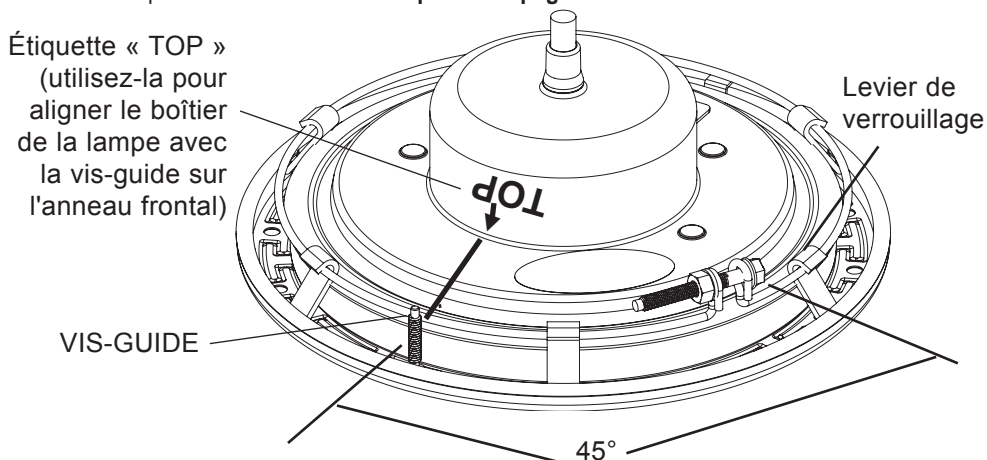
b) Tournez la lentille/le joint pour aligner la lettre « W » (« WIDE », grand angle) sur la lentille avec l'écrou en laiton dans le boîtier (consultez le schéma à la page 13 pour l'emplacement de l'écrou en laiton).

**Remarque** : La lentille de la lampe IntelliBrite® est expédiée de l'usine en position « WIDE » (grand angle). Pour obtenir un faisceau « NARROW/ÉTROIT » (angle faible), tournez la lentille/le joint pour l'aligner avec la lettre « N » de la lentille. Remarque : Pour de plus amples renseignements sur les angles « GRAND » et « ÉTROIT », du faisceau de la lentille, consultez la page 14.

17. **INSTALLEZ L'ANNEAU FRONTAL** : Placez l'anneau frontal sur la lentille/le joint/le boîtier. Tournez l'anneau frontal afin que **le trou de la vis-guide** s'aligne à la position 12 h, la lettre « W » (ou « N ») de la lentille et l'écrou en laiton dans le boîtier. Vérifiez aussi que l'étiquette avec flèche d'indication du haut « TOP » (page 14) à l'arrière du boîtier s'aligne avec la vis-guide de l'anneau frontal.



18. **INSTALLEZ LE COLLIER DE SERRAGE UNI-TENSION** : Les extrémités en crochet du collier de serrage filaire uni-tension se dirigeant vers le bas, écartez ce collier de serrage et placez-le dans les évidements en « U » des leviers de verrouillage. Assurez-vous que les extrémités en crochet sont situées entre la paire de leviers de verrouillage comme il est illustré ci-dessous et que le collier de serrage est correctement engagé avec tous les leviers de verrouillage.
19. Placez un chiffon sur le sol pour ne pas abîmer la lentille. Retournez la lampe pour que la lentille repose sur le chiffon. Assurez-vous que le collier de serrage est orienté de manière que la connexion à boulon se trouve positionnée à 45°.
20. Serrez le boulon et l'écrou jusqu'à ce que la distance entre les extrémités du collier soit de ¼ po ou moins. **Passez à l'étape 21 à la page suivante.**



Positionnez le collier de serrage (écrou et boulon) à environ 45° entre la VIS-GUIDE et le LEVIER DE VERROUILLAGE

21. Enroulez au moins 1,2 m de cordon autour de la lampe (Figure 1 à la page 3). Ceci permet de faire l'entretien de la lampe une fois la piscine remplie d'eau.
22. Installez la vis-guide spéciale en laiton à la partie supérieure de l'anneau frontal pour fixer la lampe à la niche.

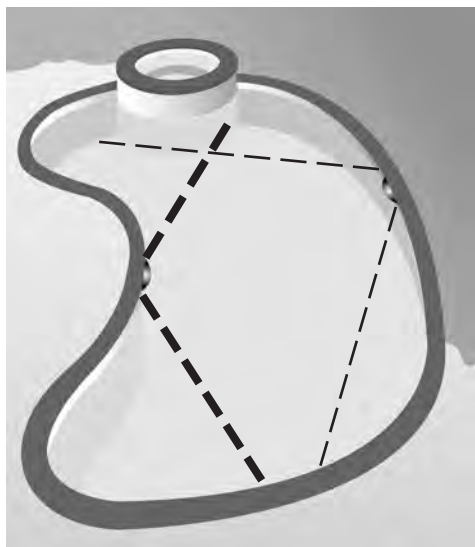


23. **Vérification finale du bon fonctionnement de la lampe IntelliBrite** : Établissez l'alimentation à l'interrupteur principal ou au disjoncteur, et à l'interrupteur de l'alimentation de la lampe submersible IntelliBrite. La lampe doit s'allumer lorsque l'alimentation est établie. Sinon, revérifiez les étapes de l'installation à partir de l'étape 1 (page 4).

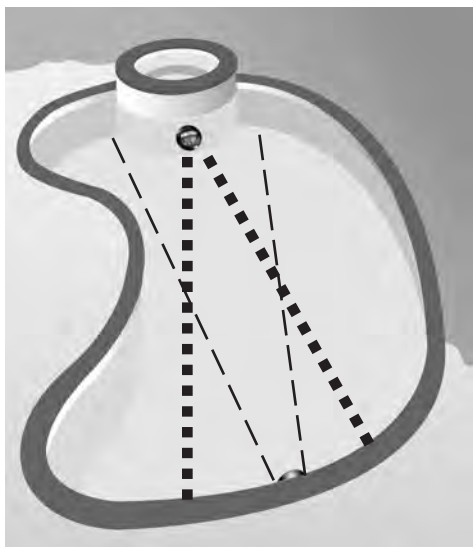
## Réglage de lentille à grand angle et à angle faible

### Caractéristique de la lentille - à grand angle et à angle faible

La géométrie sans pareille de la lentille IntelliBrite donne un choix entre deux formes de faisceau lumineux; un à grand angle « large », ou un à angle faible « étroit » qui conviennent à des piscines de diverses dimensions. Dans le cas de lampes situées des deux côtés de la piscine, tournez la lentille à la position « WIDE » (grand angle), qui donne un faisceau de lumière plus large et une réflexion sur la largeur de la piscine. Dans le cas de lampes situées à une extrémité de la piscine, tournez la lentille à la position « N » (faisceau étroit) pour une intensité de lumière et une distance plus importantes sous l'eau. Remarque : La lentille de la lampe IntelliBrite® est expédiée de l'usine en position « WIDE » (grand angle).

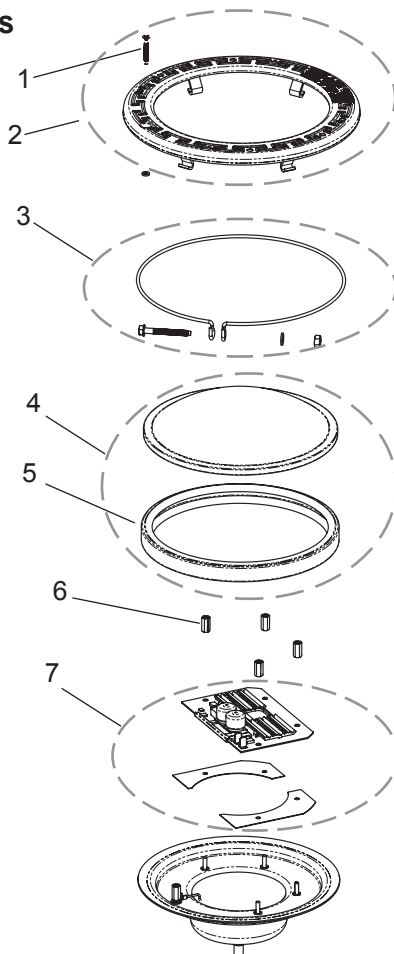


**FAISCEAU DE LUMIÈRE LARGE  
(POUR CÔTÉS DE PISCINE)**



**FAISCEAU DE LUMIÈRE ÉTROIT  
(POUR EXTRÉMITÉS DE PISCINE)**

## Numéros de pièces des nécessaires de rechange d'ensemble de lampe à DEL IntelliBrite® blanche pour piscine



**Remarque : Un transformateur externe de 120 VCA à 12 VCA est nécessaire pour le modèle de lampe IntelliBrite blanche pour piscine de 12 VCA. Consultez la page 1 pour obtenir plus de détails.**

Article n°	Pièce n° (néc.)	Description
2, 3, 5	600095	Ensemble d'anneau frontal, acier inoxydable - Ensemble de collier de serrage uni-tension - Joint, 8-3/8 po de diamètre, blanc cassé
4, 5	619864Z	Nécessaire de lentille de rechange - Joint, 8-3/8 po de diamètre, blanc cassé - Lentille, IntelliBrite, piscine, 8-3/8 po de diamètre, trempée
3, 5, 7	619875Z (300 W), 619916Z (400 W), 619917Z (500 W)	Le nécessaire de rechange comprend : carte de circuit imprimé, lames thermiques (2), ensemble de lampe blanche pour piscine. - Ensemble de collier de serrage uni-tension - Joint, 8-3/8 po de diamètre, blanc cassé
1	79104800	Vis-guide avec rondelle gommée imperdable
5	79101601	Joint, 8-3/8 po de diamètre, silicone

**Remarque :** La lampe IntelliBrite 120 VCA blanche pour piscine est dotée d'un transformateur intégré de 12 VCA.

## Numéros de pièces des nécessaires de rechange d'ensemble de lampe à DEL IntelliBrite® blanche pour piscine (suite)

<b>Produit</b>	<b>tension</b>	<b>Longueur du cordon (m)</b>
<b>601100</b>	<b>120 V</b>	<b>9</b>
601101	120 V	15
601102	120 V	30
601103	120 V	46
601104	120 V	76
601105	12 V	9
601106	12 V	15
601107	12 V	30
601108	12 V	46
<b>601200</b>	<b>120 V</b>	<b>9</b>
601201	120 V	15
601202	120 V	30
601203	120 V	46
601204	120 V	76
601205	12 V	9
601206	12 V	15
601207	12 V	30
601208	12 V	46
<b>601300</b>	<b>120 V</b>	<b>9</b>
601301	120 V	15
601302	120 V	30
601303	120 V	46
601304	120 V	76
601305	12 V	9
601306	12 V	15
601307	12 V	30
601308	12 V	46



## Remplacement de l'anneau frontal de la lampe à DEL IntelliBrite® blanche pour spa et du joint (pièce n° 640045) ou du joint et de la lentille (640046), page 21

**Remarque :** Lors du remplacement d'un ensemble de lampe à DEL IntelliBrite blanche pour spa, un nouvel ensemble de lampe pour spa comprenant un moteur lumière, une lentille, un joint et un anneau frontal (consultez la page ii pour le numéro de pièce des ensembles de pièces de lampe).

**⚠ DANGER**



**DANGER !**

### RISQUE DE DÉCHARGE ÉLECTRIQUE OU D'ÉLECTROCUTION

Débranchez toujours l'alimentation de l'éclairage de la piscine au niveau du disjoncteur avant de faire l'entretien de la lampe. Le non respect de cette consigne peut entraîner des blessures graves, voire mortelles, de l'installateur, du spécialiste en piscine, des utilisateurs de la piscine et d'autres personnes suite à une décharge électrique.

1. **Coupez l'alimentation à l'interrupteur principal ou au disjoncteur**, et aussi à l'interrupteur de l'alimentation de la lampe à DEL IntelliBrite submersible.

**⚠ AVERTISSEMENT**

Installez toujours un joint de lentille neuf (voir la page 15 pour les numéros de pièces des nécessaires) chaque fois que l'ensemble de lampe à DEL IntelliBrite est démonté. Sinon, de l'eau pourrait pénétrer dans l'ensemble et entraîner : **(a)** un risque d'électrocution pouvant entraîner des blessures graves, voire mortelles des utilisateurs, installateurs de la piscine ou autres personnes suite à une décharge électrique, ou **(b)** une rupture de la lentille, pouvant aussi entraîner des blessures graves des utilisateurs, installateurs ou autres personnes se trouvant dans la zone de la piscine, ou des dommages matériels.

Vis-guide



Lampe à DEL IntelliBrite  
blanche pour spa

2. **DÉPOSE DE LA LAMPE À DEL INTELLIBRITE BLANCHE POUR SPA :** Retirez la vis-guide à la partie supérieure de l'anneau frontal, retirez l'ensemble de lampe de la niche. Placez l'ensemble sur le pourtour de la piscine. **Remarque :** Il n'est pas nécessaire de vider partiellement la piscine.

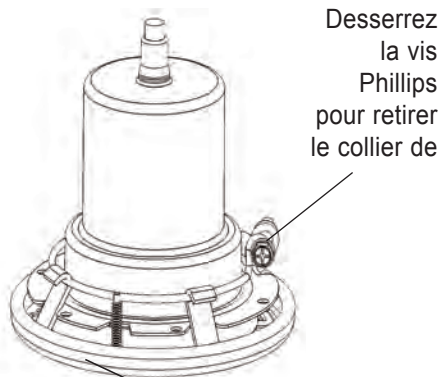
**⚠ AVERTISSEMENT**

Assurez-vous de conserver la vis-guide de la lampe à DEL IntelliBrite submersible. Cette vis fixe le boîtier à l'anneau de montage et à la niche humide et les met à la terre. Une non utilisation de la vis fournie pourrait entraîner un risque d'électrocution d'où blessures graves, voire mortelles des utilisateurs, installateurs de la piscine ou autres personnes suite à une décharge électrique.

- À l'aide d'un tournevis Phillips n° 3, desserrez la vis et retirez le collier de serrage filaire uni-tension de l'anneau frontal.
- Retirez l'anneau frontal et le collier de serrage du boîtier de la lampe et conservez-le pour le montage ultérieur.

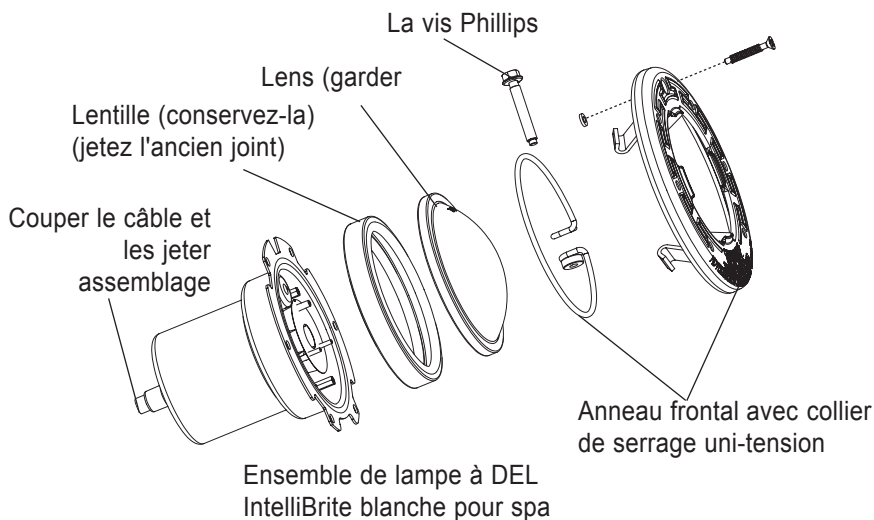
Remarque : Un transformateur externe de 120 VCA à 12 VCA est nécessaire pour le modèle de lampe à DEL IntelliBrite® pour spa de 12 VCA. Consultez la page 2 pour obtenir plus de détails.

**Remarque :** Le luminaire IntelliBrite Lumière Spa est un assembly which lumière étanche est remplaçable. La lentille, joint et bague de visage peut être retirée de l'ensemble de lampe scellés pour le remplacement. Infiltration 23 pour la codification kit de remplacement.

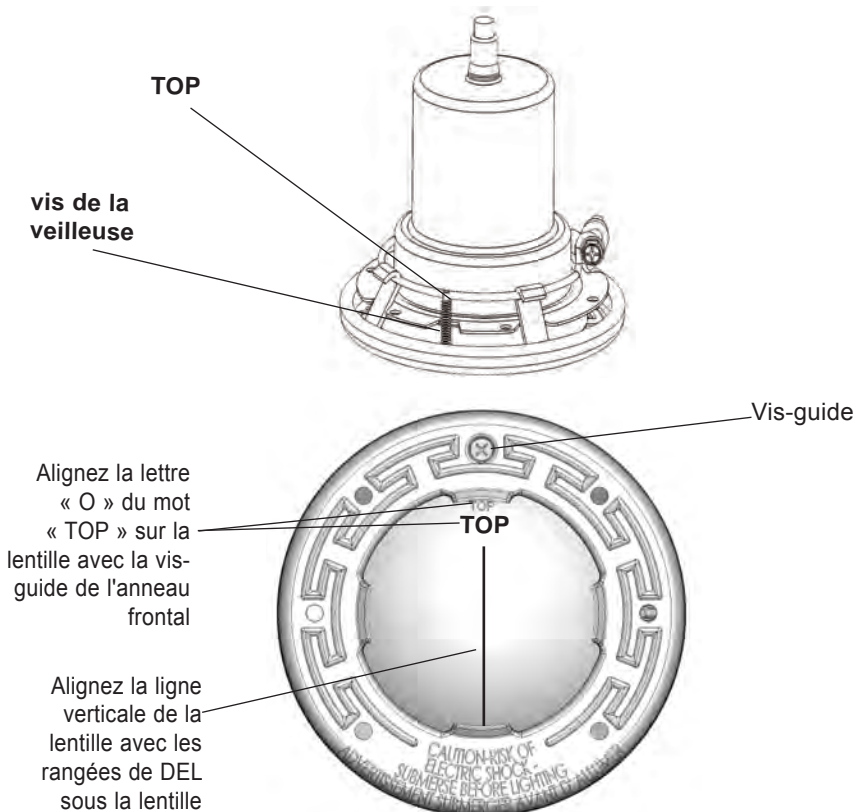


Appareil d'éclairage IntelliBrite blanc pour spa avec lentille, joint et anneau frontal fixés

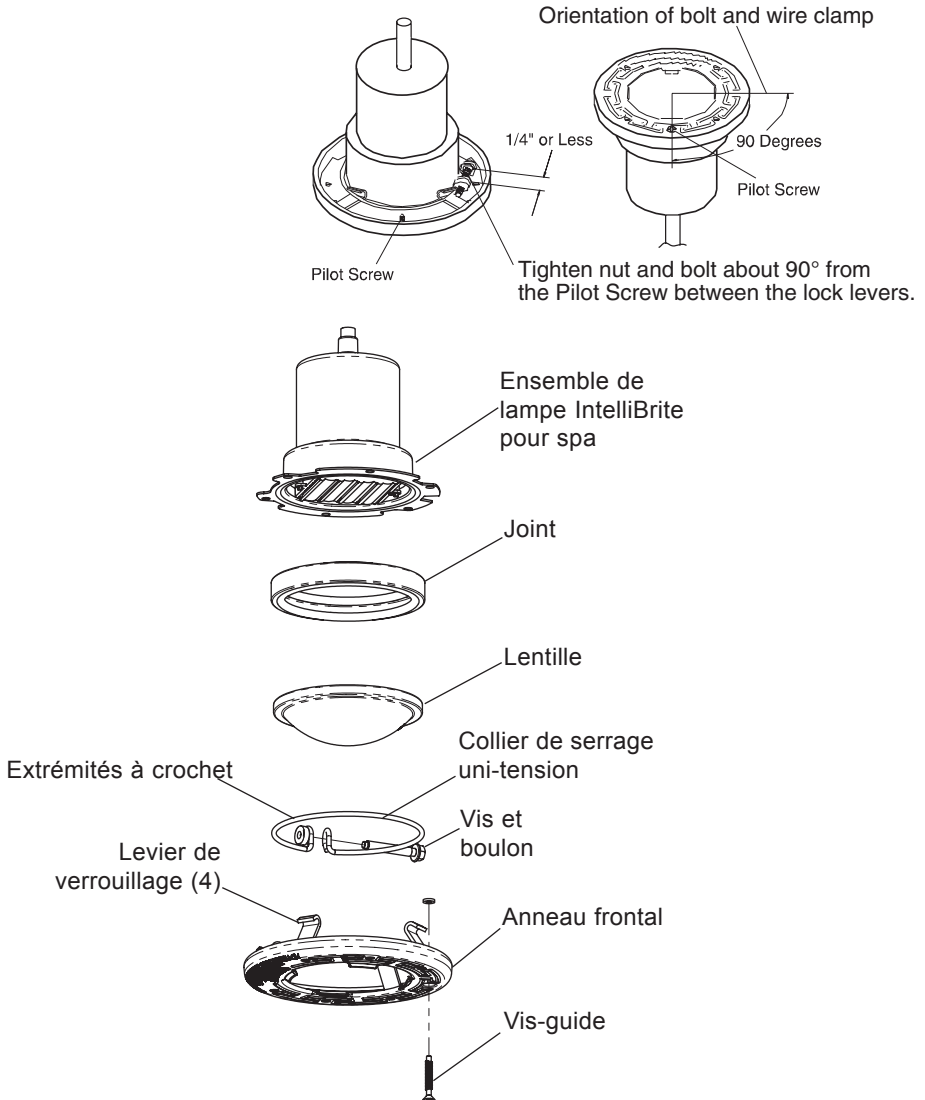
- L'ensemble de lampe reposant sur sa base, enlevez soigneusement le joint pour extraire la lentille. Jetez le joint. UN JOINT NEUF POUR LENTILLE DOIT ÊTRE UTILISÉ À CHAQUE REMONTAGE DE LA LAMPE À DEL POUR SPA.
- Débranchez de la boîte de jonction le cordon de l'ensemble de lampe à DEL IntelliBrite blanche pour spa. **Coupez le cordon près de l'arrière de l'ensemble de lampe et jetez la lampe. Consultez la page 9 pour les instructions de remplacement de la lampe neuve pour spa.**



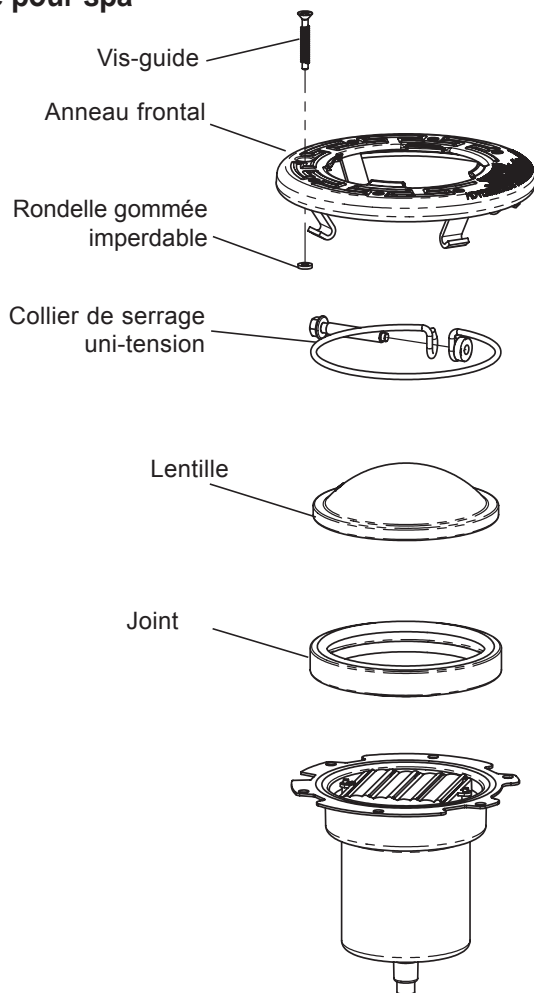
7. **INSTALLATION DE LA LAMPE À DEL INTELLIBRITE® BLANCHE POUR SPA AVEC UN JOINT NEUF** : Installez un joint neuf lors du remontage de la lampe à DEL IntelliBrite blanche pour spa. UN JOINT NEUF POUR LENTILLE DOIT ÊTRE UTILISÉ À CHAQUE REMONTAGE DE LA LAMPE.
8. **Installez un joint neuf sur la lentille** :
- Le boîtier de la lampe reposant sur sa base, placez la lentille, puis le joint sur le dessus du boîtier de la lampe.
  - Placez l'anneau frontal sur le joint. Assurez-vous que la lentille et le joint sont centrés correctement sur le boîtier de la lampe.
  - Alignement de l'anneau frontal et de la lentille** : Alignez l'anneau frontal et la lentille afin que la lettre « O » du mot « TOP » et la petite flèche au-dessus de celui-ci sur la surface de la lentille se dirigent vers le trou de la vis-guide de l'anneau frontal.
  - Alignement de la lentille avec les DEL** : Tout en regardant au travers du devant de la lentille, tournez légèrement la lentille jusqu'à ce que les lignes verticales de la lentille se focalisent sur les quatre rangées de DEL ci-dessous.



9. Les extrémités en crochet du collier de serrage filaire uni-tension se dirigeant vers le bas, écartez ce collier de serrage et placez-le dans les évidements en « U » des leviers de verrouillage. Assurez-vous que les extrémités à crochet du collier de serrage sont situées entre la paire de leviers de verrouillage comme il est illustré ci-dessous et que le collier est correctement engagé avec tous les leviers de verrouillage.
10. Placez un chiffon sur le sol pour ne pas abîmer la lentille. Retournez la lampe pour que la lentille repose sur le chiffon. Serrez le boulon et l'écrou jusqu'à ce que la distance entre les extrémités du collier soit de  $\frac{1}{4}$  po ou moins.
11. **PASSEZ À « Remplacement de l'ensemble de lampe à DEL IntelliBrite® blanche pour spa (piscine ou spa existant) » à la page 4 pour les instructions d'installation de l'ensemble de lampe pour spa.**



## Numéros de nécessaires de rechange de lampe à DEL IntelliBrite® blanche pour spa



Pièce n° (néc.)	Description
640045	Ensemble d'anneau frontal, acier inoxydable - Ensemble de collier de serrage uni-tension - Joint, 4 de diamètre, blanc cassé
640046	Joint, 4 de diamètre, blanc cassé - Lentille, IntelliBrite, spa, 4 de diamètre, trempée
79104800	Vis-guide avec rondelle gommée imperdable
79108600	- Joint, 4 de diamètre, silicone

**Remarque :** Un transformateur externe de 120 VCA à 12 VCA est nécessaire pour le modèle de lampe à DEL IntelliBrite pour spa de 12 VCA. Consultez la page ii pour obtenir plus de détails.

**Numéros de nécessaires de rechange de lampe à DEL IntelliBrite®  
blanche pour spa (UL/CSA)**

Modèle de produit	Tension	Longueur du cordon (meters)
640140	120V	9
640141	120V	15
640142	120V	30
640143	120V	46
640144	120V	76
640150	12V	9
640151	12V	15
640152	12V	30
640153	12V	46





PENTAIR AQUATIC SYSTEMS

1620 HAWKINS AVE., SANFORD, NC 27330 • (919) 566-8000  
10951 WEST LOS ANGELES AVE., MOORPARK, CA 93021 • (805) 553-5000  
WWW.PENTAIRPOOL.COM

IntelliBrite®, IntelliTouch®, EasyTouch® et SunTouch® sont des marques déposées de Pentair Aquatic Systems et/ou de leurs compagnies affiliées aux États-Unis et/ou dans d'autres pays. Sauf indication contraire, les noms et marques d'autres sociétés pouvant être utilisés dans ce document ne le sont pas pour indiquer une affiliation ou un endossement entre les propriétaires de ces noms et marques et Pentair Water Pool and Spa, Inc. Ces noms et marques peuvent être des marques de commerce ou des marques déposées de ces parties ou d'autres.



PIÈCE N° 619921 RÉVISION G 5/13