



AQUATIC SYSTEMS®



For the Installation, Operation and Service of the

Pool/Spa Blower

Powerful 1200W Blower with
2-Stage Fan



Rainbow Pool Products

PO Box 2388, Mansfield Qld 4122

Telephone STD 61-7-3849 5385

Facsimile STD 61-7-3849 5384

Email: info@rainbowpoolproducts.com.au

Web: www.rainbowpoolproducts.com.au

Should the installer or owner be unfamiliar with the correct installation or operation of this type of equipment you should contact the distributor/manufacturer for the correct advice before proceeding with the installation or operation of this product. The pump operator or owner must be provided with this owner's manual.

Introduction

The Pentair Pool/Spa Blower is designed to provide years of trouble free use, excellent performance, and operate quietly. The soft density housing and foam insulation absorbs motor noise and vibration.

Application

The Pentair Pool/Spa blower is designed specifically for residential spas and swimming pools and if the following instructions are followed, will give you years of trouble free performance.

The blower is designed to run continuously for extended periods but should not be used on commercial installations where it will operate continuously for several hours every day. Should this be your requirements, contact Pentair for further advice.

Warnings and Notices



Do not turn the blower on and off at rapid intervals – the blower works hardest when it is clearing water from the pipes.



Keep the blower free from debris such as leaves, cobwebs and insect nests.



An internal high limit cut out will shut the blower down if the air flow is insufficient to keep the motor cool. Once the motor cools, the high limit will reset and start the blower operation once again.



Do not attempt to service or repair the blower yourself, there are no user serviceable parts inside. Contact Pentair for your local service agent should your blower require servicing.



This appliance is not intended for use by persons (including children) with reduced physical, sensory or mental capabilities, or lack of experience and knowledge, unless they have been given supervision or instruction concerning the use of the appliance by a person responsible for their safety. Please ensure that young children are supervised to ensure that they do not play with the appliance.



If the supply cord is damaged, it must be replaced by the manufacturer, its service agent or similarly qualified persons in order to avoid a hazard.

Installation

The 1200 watt pool/spa blower requires a 50mm PVC pipe from the blower to the spa. Connection into the blower is 50mm PVC which should be glued into the union tail on the bottom of the blower.



WARNING: Disconnect blower from nut and tail prior to glueing – Trapped glue vapours in the blower may cause an explosion. Connect lock nut to thread on blower after glue has dried.

1. The blower should be installed in a dry location as close as possible to the pool/spa but should not be installed within 3 meters of pool/spa to comply with electrical standards (maximum operating distance is 12 metres).
2. Run a 50mm PVC pipe line from the spa manifold outlet to blower position, ensuring that the 50mm pipe line has a minimum fall of 1:10 back to the pool/spa, this will allow the pipe line to have minimum water lying in the pipe (refer figure 1).
3. To prevent damage to the blower and electric shock the blower must be installed at least 700mm above the highest water level in the spa (see figure 1).

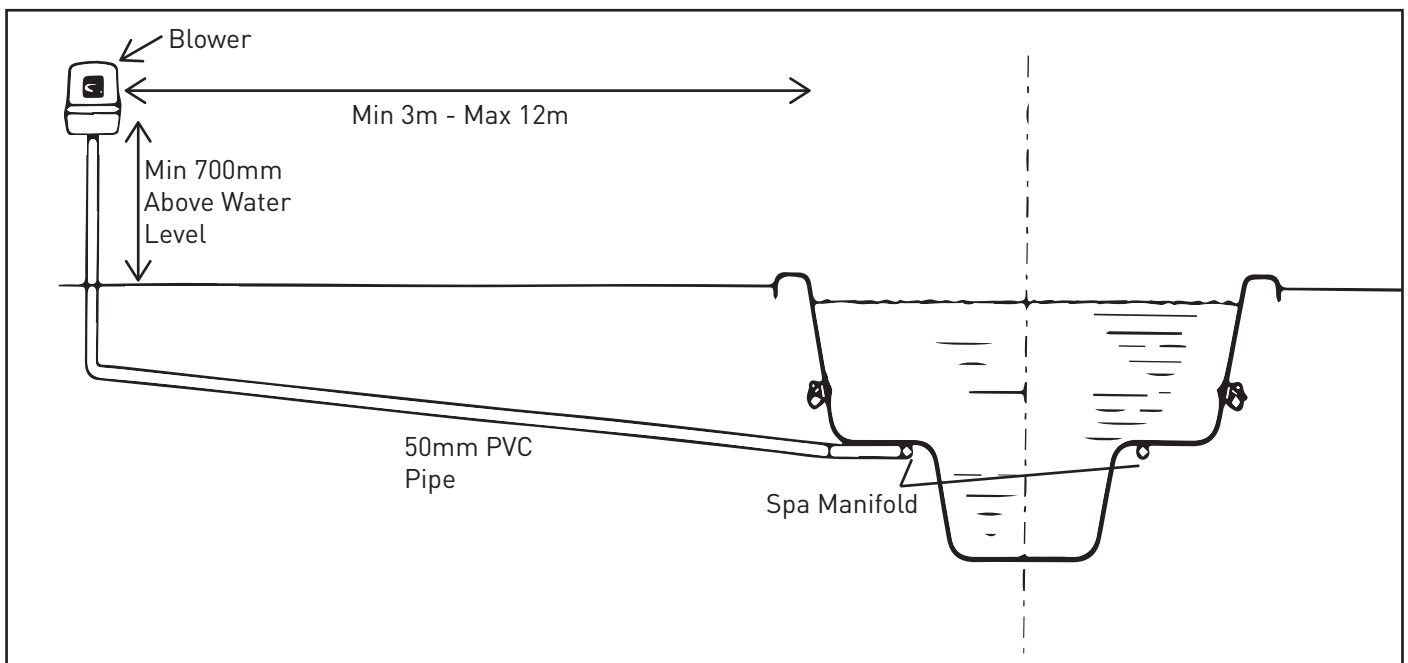


Figure 1

Installation (Continued)

- If the blower is to be installed below the water level or further than 5 meters from the pool/spa a loop must be installed at least 700mm above the highest water level (see Figure 2). This loop should be installed within two meters of the pool/spa. Drill a bleed hole after loop to remove any condensation (refer Figure 2).

FAILURE TO COMPLY WILL VOID WARRANTY.



DO NOT create a water trap in the blower supply pipe (refer Figure 3), as the water lying in the pipe will create additional back pressure on the spa blower.



Spa blowers should not be connected to Spa Jets, and operated simultaneously with pumps, on the same return line.

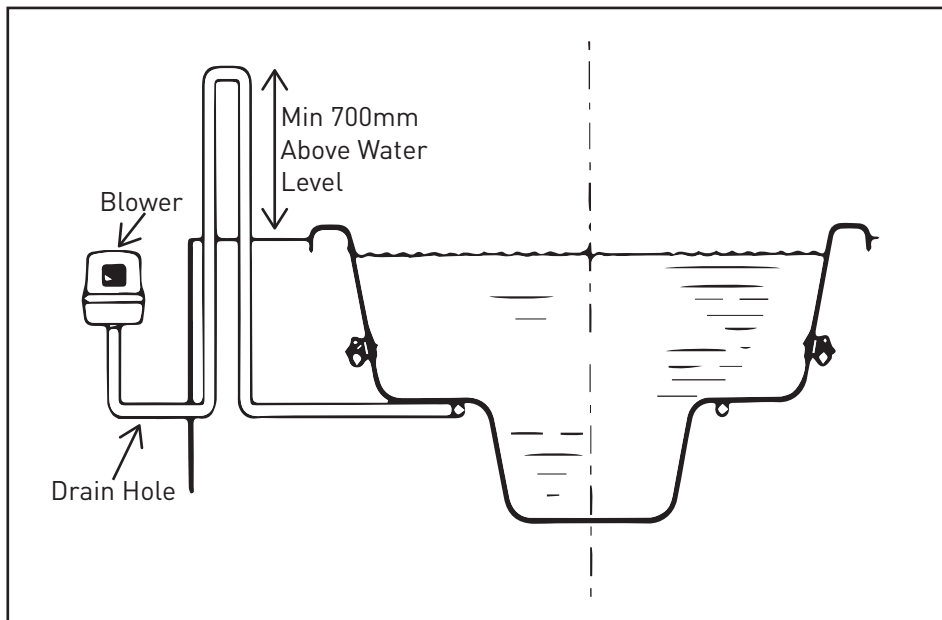


Figure 2

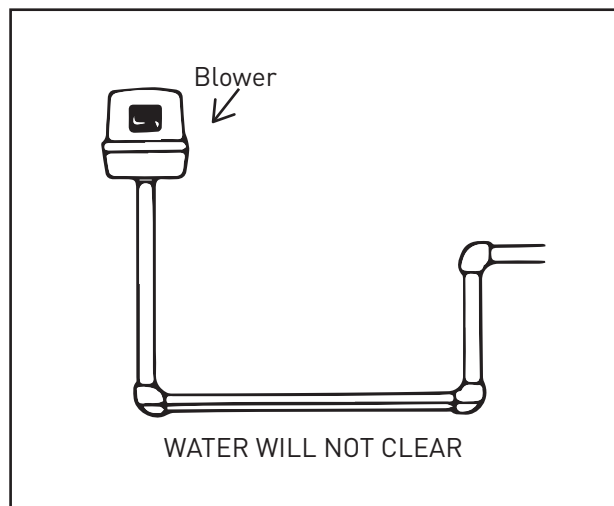


Figure 3

Installation (Continued)



The blower must NOT be installed within 1.5 meters of any gas appliance flue. It must NOT be installed in the same room as a gas appliance unless, it is sealed from the plant room and draws its own fresh air supplied.



Spa blower MUST be mounted in a vertical position only, with the discharge downwards (refer Figures 1 & 2).

Place the spa blower 10 amp lead into a 240 volt 50Hz designated power point.



The appliance should be supplied through a residual current device (RCD) having a rated current not exceeding 30mA.

Spa Manifold

Spa Manifold ring should have sufficient holes to total 800 square mm. Insufficient air holes in the spa will cause excessive pressure on the blower and may cause the blower to overheat and reduce the life of the motor (Figure 4).

As a guide the following table should be consulted:

Air Hole Size	Number of Holes
3mm	110
4mm	64
5mm	45
6mm	30

Failure to comply with minimum area of holes will void warranty.

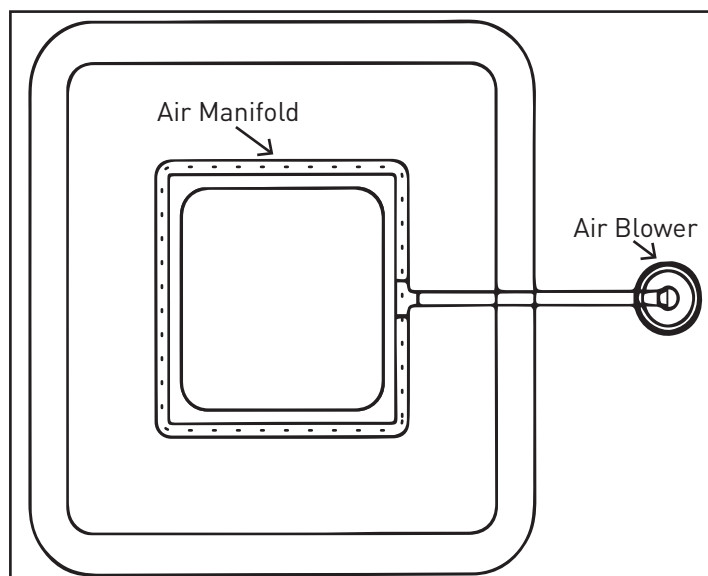


Figure 4

Air Switch

If the air switch option is being fitted, a roll of air tube is supplied. Enclose the air line in conduit for mechanical protection. Place one end of the tube onto the nipple of the air button fitted on the spa pool, place the other end of the air line onto the spa blower, the air nipple is located on the under side of the spa blower.

Operation

Switch power on, your spa blower will start.

(a) If your spa blower has been plugged into another controller it may not start until the air button or some other form of switching has been pressed. (Check with your installer).

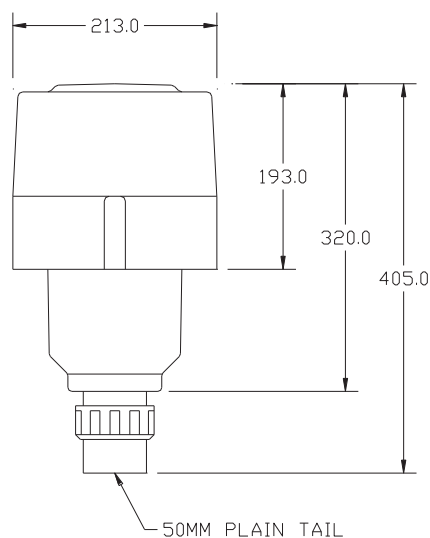
(b) Air Switch Blower Operation

Simply press the air button located on the spa and your spa blower will start on high speed, press your button again and this will turn the spa blower off.

Specifications

Part No.	1044000	1044100
Model No.	60055	60052
Operation	Air-Switch	Switched via Power Outlet
R.P.M.	21000	21000
Rated Voltage	230-240VAC 50Hz 1 Phase	230-240VAC 50Hz 1 Phase
Rated Current	5.2A	5.2A
Air Flow	2500LPM	2500LPM

Dimensions



Maintenance

Your new product incorporates moving parts and withstands high velocity water with chemicals in it. Some of these parts will wear in the normal course of use and require regular checks and maintenance. Performing these checks and maintenance will identify parts that have worn and require repair/replacement before further serious damage is sustained. A small amount of regular care and attention to your pool equipment will help ensure long life and trouble free performance.

To protect against extremes of temperature, your unit is vented to allow expensive electronics to cool. Ants and some insects are often attracted to the warmer, dry environment inside the enclosure. We recommend that, with power turned off, you spray a surface insecticide on the surfaces surrounding the control to prevent ant and insect ingress. Repeat every three months or as necessary.

Timing	Maintenance	Service
Three monthly	Check for insects/ ants	Isolate Pump, turn power off, clean and grease O rings or replace if necessary Turn off power to blower, Spray a surface insecticide on the surfaces around the unit to prevent ant and insect ingress.

Troubleshooting

Symptom	Remedy
Blower will not start	Check power point is switched on and blower is plugged in. Check Fuses.
	Check that air line is connected from the air button to the blower.
	Check that the air line is not kinked. If kinks are visible, remove them otherwise this will stop the pulse of air that operates the micro switch inside the blower.
	Check micro switch operation. Push air button and a faint click should be heard at the spa blower, if no click is heard check all connections if they are all OK and spa blower still doesn't start, remove spa blower and take it to the nearest Pentair service agent.
Blower is making a grinding noise when operating.	Brushes may need replacing.
Blower makes a noise when stopping.	This is only the check-valve operating correctly.
Blower operates the n stops (cutting out on thermal overload),	Could be caused by blockage or insufficient air holes, check installation of the spa blower pipe work, ensure that it has been installed to the specifications, if incorrect call installer. If all plumbing is correct remove the spa blower and take it to your nearest Pentair service agent.

Pool/Spa Blower

Powerful 1200W Blower with
2-Stage Fan



IMPORTANT

Please attach your sales invoice/docket here as proof
of purchase should warranty service be required.

Purchased from:.....

Purchase date: Serial No.: Model No.:



Rainbow Pool Products

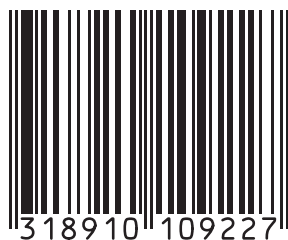
PO Box 2388, Mansfield Qld 4122

Telephone STD 61-7-3849 5385

Facsimile STD 61-7-3849 5384

Email: info@rainbowpoolproducts.com.au

Web: www.rainbowpoolproducts.com.au



© Information contained here-in remains the property of Pentair Australia Pty Ltd. Any reproduction, display, publication, modification or distribution is strictly prohibited without the prior written permission of Pentair Australia Pty Ltd.

Disclaimer:

Every endeavour has been made to publish the correct details in this document. No responsibility will be taken for errors, omissions or changes in product descriptions, specifications. Pentair Australia reserves the right to change specifications.