

ONGA WATER SILENTFLO POOL PUMP

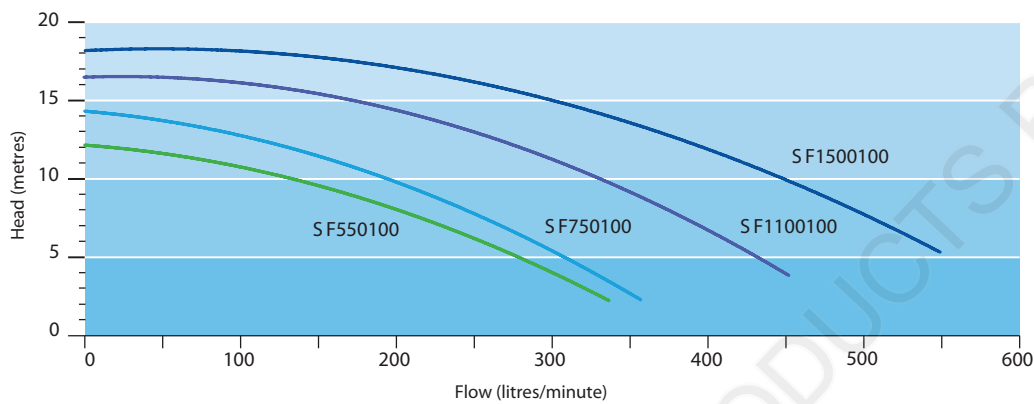


Code	Description
SF550100	SilentFlo Pool Pump 550 watt 0.75 HP
SF750103	SilentFlo Pool Pump 700 watt 1 HP
SF1100100	SilentFlo Pool Pump 1100 watt 1.5 HP
SF1500100	SilentFlo Pool Pump 1500 watt 2 HP

MODEL DATA

Pump Model	Motor Power		Supply Voltage	Phase	Full Load Current	Locked Rotor Current
Abbreviation	P1	P2			FLA	LRA
Unit of Measure	Watt	Watt	V	n	Amp	Amp
SF550100	580	400	230	1	2.6	14
SF750100	690	485	230	1	3.0	14
SF1100100	1020	715	230	1	4.5	22
SF1500100	1540	1075	230	1	6.7	28

PUMP PERFORMANCE CHART



Disclaimers Every endeavour has been made to publish the correct details in this leaflet. No responsibility will be taken for errors, omissions or changes in product specifications. All performance data taken at sea level.

MOTOR

Type:	TEFC 2 pole
Thermal overload:	Internal, automatic reset
Temperature rise:	Class F
Voltage:	230V +/- 10%
Frequency:	50Hz

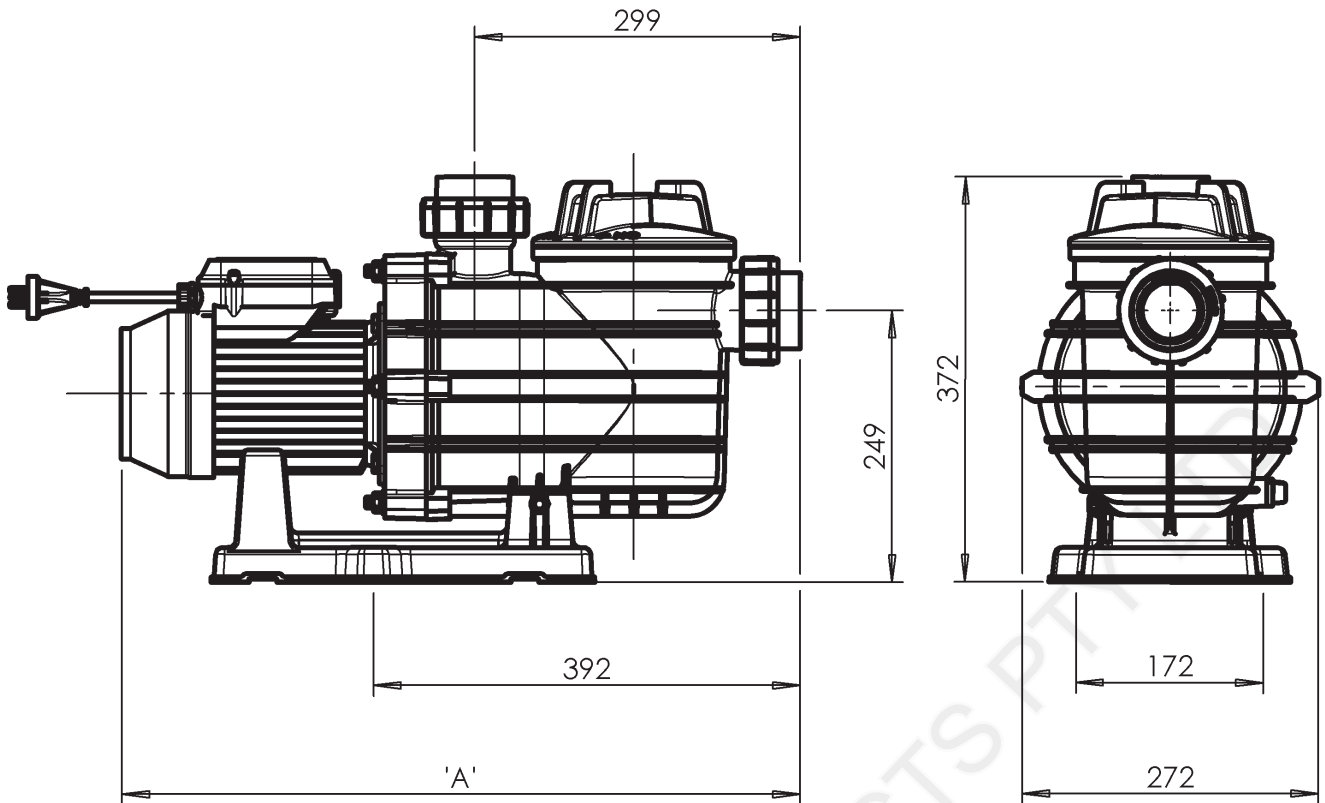
Suitable for pumping clean non-aggressive liquids without solids or fibres in suspension.

MATERIALS

Component	Material
Pump Casing:	Reinforced Polypropylene 40% Glass Filled
Impeller:	Polyphenylene Ether
Diffuser:	Polypropylene HP TF 40%
Yoke:	Polypropylene 40% Glass Filled
Drain Plugs:	Polypropylene
Motor Shaft:	SS 303
End Shield:	Cast Aluminium
Strainer Basket:	High Impact Polystyrene
Strainer Basket O-Ring:	Low friction nitrile
Strainer Pot Lid:	Makrolon Polycarbonate
Barrel Unions:	Acrylonitrile Butadiene Styrene (ABS)
Base:	Copolymer Polypropylene
Seal Bellows:	Nitrile
Seal Stationary Face:	Aluminium oxide
Seal Rotating Face:	Carbon
Seal Spring:	SS 316
Cord/Plug:	Approved to AS/NZS 3112

RAINBOW POOL PRODUCTS PTY LTD

LINE DRAWINGS



DIMENSION TABLE

Pump Model	SF550	SF750	SF1100	SF150
A	595	595	610	650

Unless otherwise specified, all dimensions in mm.

Fixing holes accept 12mm fasteners.