

**RAINBOW**

**POOL PRODUCTS**



Quality Pool & Spa Products

## ONGA PANTERA POOL PUMPS

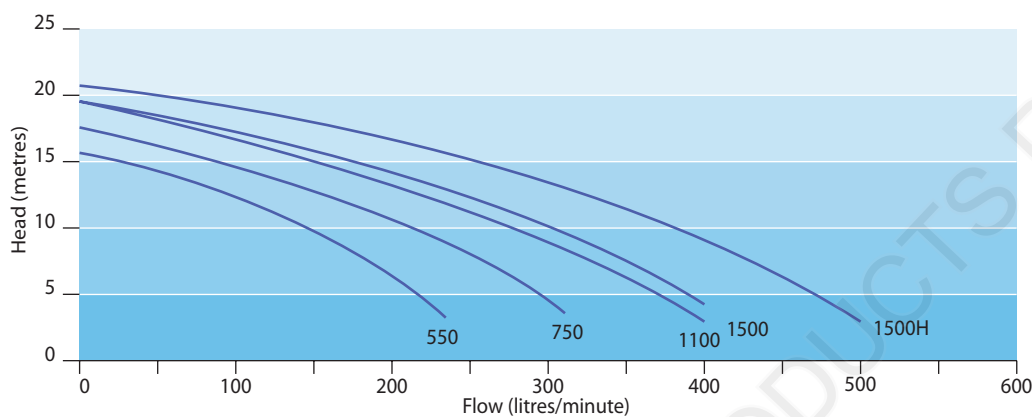


Code	Description
PPP550	Pantera Pool Pump 550 watt 0.75 HP
PPP750	Pantera Pool Pump 1 HP
PPP1100	Pantera Pool Pump 1.25 HP
PPP1500	Pantera Pool Pump 1.5 HP

## MODEL DATA

Pump Model	Motor Kw Nominal	Supply Voltage	Phase	Full Load Current	Locked Rotor Current	Capacitor mfd
Abbreviation	P1			FLA	LRA	
Unit of Measure	(hp)	V		Amp	Amp	
PPP550	0.55 (3/4)	240	1	2.5	8.5	10
PPP750	0.75 (1)	240	1	4.3	16	20
PPP1100	1.0 (1 1/4)	240	1	5.4	24	22
PPP1500	1.5 (2)	240	1	6.2	24	22

## PUMP PERFORMANCE CHART



**Disclaimers** Every endeavour has been made to publish the correct details in this leaflet. No responsibility will be taken for errors, omissions or changes in product specifications. All performance data taken at sea level.

## MOTOR

<b>Type:</b>	TEFC 2 pole continuously rotated
<b>Thermal overload:</b>	Internal, automatic reset
<b>Temperature rise:</b>	Class B
<b>Voltage:</b>	230V - 240
<b>Frequency:</b>	50Hz

Suitable for pumping clean non-aggressive liquids without solids or fibres in suspension.

## OPERATING CONDITIONS

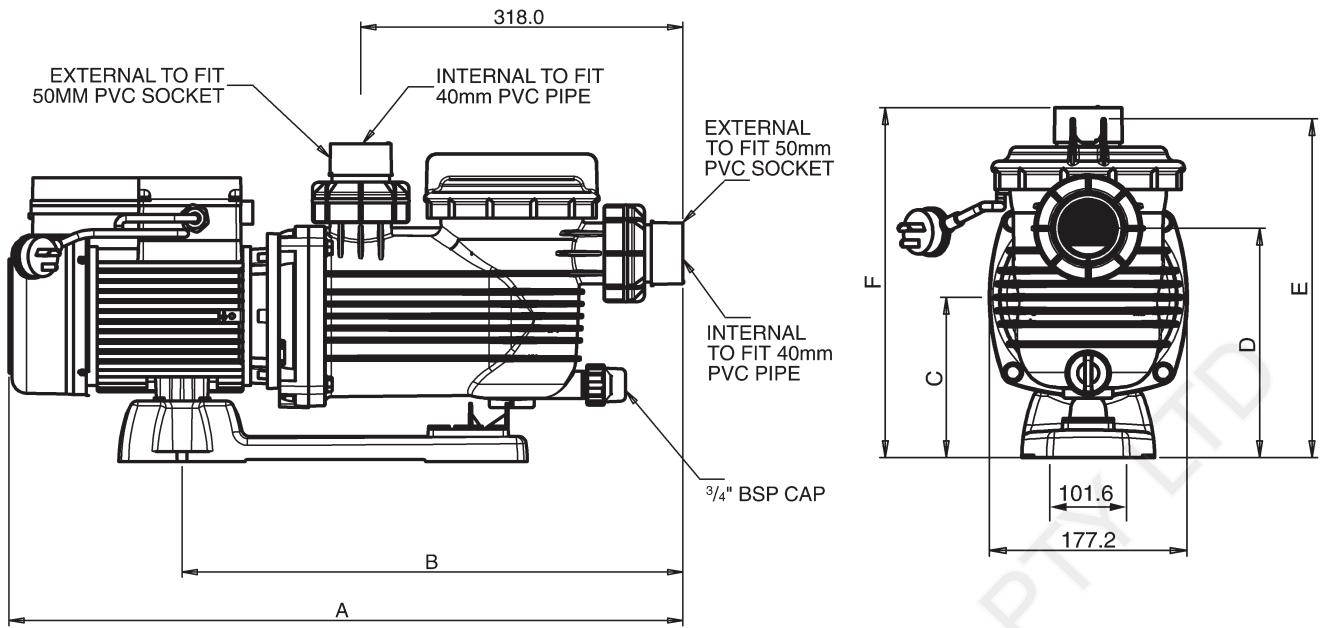
<b>Fluid:</b>	Water
<b>Maximum Working Pressure</b>	295 kPa
<b>Water (Swimming Pool) Temp range</b>	5 Degrees - 35 Degree Celcius
<b>Ambient Temperature</b>	50 Degrees Celcius Maximum

## MATERIALS

<b>Component</b>	<b>Material</b>
Pump Casing:	20% Glass Filled ABS
Impeller: <b>PPP550</b>	20% Glass Filled polycarbonate
Impeller: <b>PPP750 -1500</b>	20% Glass Filled ABS
Baffle:	20% Glass Filled ABS
Diffuser:	20% Glass Filled ABS
Yoke:	20% Glass Filled ABS
Drain Cap:	Polypropylene
Motor Shaft:	400 series stainless steel
End Shield:	Powder coated cast iron
Hair and lint pot O-Ring:	Low friction nitrile
Casing O-Ring:	Nitrile
Barrel union O-ring:	Nitrile
Barrel Union:	ABS
Hair and lint pot lid:	Polycarbonate
Cord/Plug:	Approved to AS/NZS 3112

RAINBOW POOL PRODUCTS PTY LTD

## LINE DRAWINGS



\*PVC Pipe to AS/NZS 1477. Union to suit metric PVC to ISO727 available upon request.

## DIMENSION TABLE

Pump Model	A (mm)	B (mm)	C (mm)	D (mm)	E (mm)	F (mm)
PPP550	630	487	121	185	288	290
PPP750	630	487	121	185	288	290
PPP1100	630	495	144	185	288	290
PPP1500	630	495	144	185	288	290