



Quality Pool & Spa Products

ONGA PANTERA CARTRIDGE FILTERS



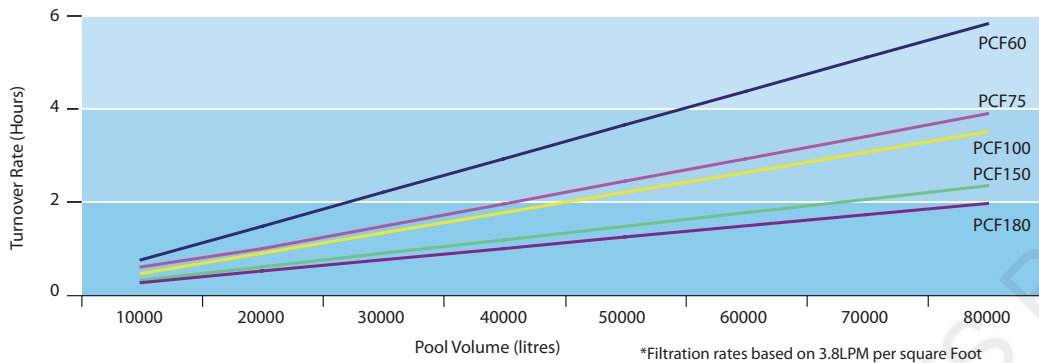
Code	Description
PCF60	Pantera Cartridge Filter 50 - 60 sq. ft.
PCF75	Pantera Cartridge Filter 75 sq. ft.
PCF100	Pantera Cartridge Filter 100 sq. ft.
PCF150	Pantera Cartridge Filter 150 sq. ft.
PCF180	Pantera Cartridge Filter 160 sq. ft.

OPERATING CONDITIONS

Fluid:	Water
Maximum working pressure:	280 kPa*
Water temperature range:	5 degrees Celsius - 45 degrees Celsius
Ambient temperature:	55 degrees Celsius Maximum

*Filtration rates based on 3.8LPM per square foot

FLOW RATE CURVE



Disclaimers Every endeavour has been made to publish the correct details in this leaflet. No responsibility will be taken for errors, omissions or changes in product specifications. All performance data taken at sea level.

MAXIMUM FLOW RATE

PCF 60	228 LPM
PCF 75	285 LPM
PCF 100	380 LPM
PCF 150	570 LPM
PCF 180	680 LPM

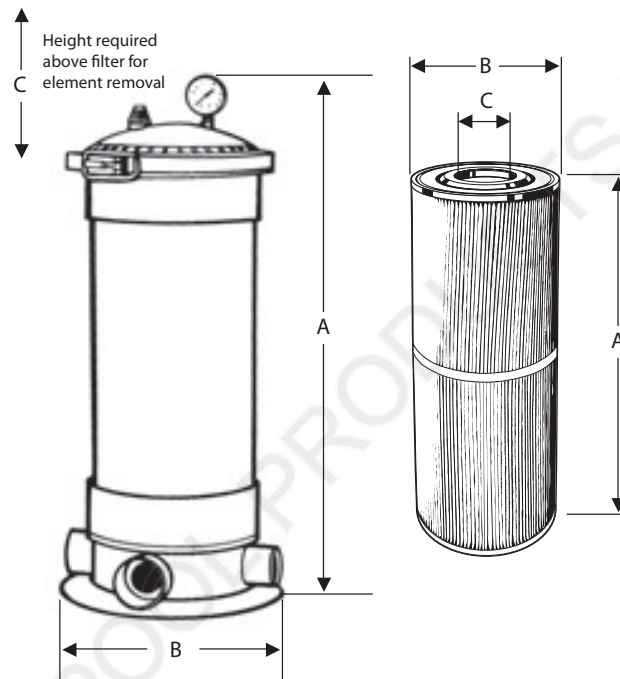
MATERIALS OF CONSTRUCTION

Component	Material
Filter Housing	UV Resistant PVC
Filter Lid	UV Resistant PVC
O-Ring	Nitrile
Clamp	Powder Coated Marine grade Aluminium
Reducing Bush (2) 50/40	UV Resistant PVC
Cartridge Material	UV Resistant PVC
Cartridge end cap	Urethane
Cartridge Core	ABS - Moulded
Pressure Gauge	0-270 kPa Glycerine filled 50mm S/S Casing or Bottom Mount

DIMENSION TABLE

Filter Model	Dimension A	Dimension B	Dimension C	Filter Weight	Packed Weight	Carton Dimension LxWxH
PCF60	590	300	330	5	6	310 x 310 x 560
PCF75	710	300	450	7	8	310 x 310 x 680
PCF100	950	300	660	10	12	310 x 310 x 930
PCF150	1220	300	450	12	14	310 x 310 x 1180
PCF180	1220	300	450	14	16	310 x 310 x 1180

LINE DRAWINGS



ELEMENT DIMENSIONS TABLE

Filter Model	Filter Area (ft ²)	Overall Length (mm) A	Outside Diameter (mm) B	Hole Size, Internal (mm) C	Approx Number of Pleats
PCF60	60	370	185	75	165
PCF75	75	496	185	75	150
PCF100	100	744	185	75	135
PCF150	75 x 2	495 x 2	185	75	150 x 2
PCF180	90 x 2	495 x 2	185	75	180 x 2