



Quality Pool & Spa Products

ONGA LEISURETIME SAND FILTERS



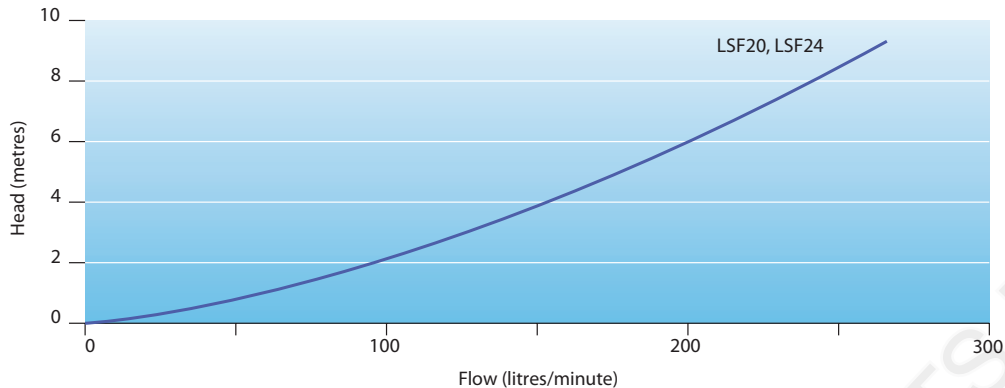
Code	Description
LSF20	20 Inch Sand Filter
LSF24	24 Inch Sand Filter

RAINBOW POOL PRODUCTS PTY LTD

FILTER DATA

Filter Model	Max Flow Rate	Min Flow Rate	Sand Grade	Net Weight	Carton Dimension
Units	(lpm)	(lpm)		(kg)	L x W x H (mm)
LSF20	580	400	16/30	14	516 x 516 x 546
LSF24	690	485	16/30	18	621 x 621 x 363

FILTER HEAD LOSS CURVE



Disclaimers Every endeavour has been made to publish the correct details in this leaflet. No responsibility will be taken for errors, omissions or changes in product specifications. All performance data taken at sea level.

OPERATING CONDITIONS

Fluid:	Water
Maximum working pressure:	230 kPa*
Water temperature range:	5 degrees Celsius - 38 degrees Celsius
Ambient temperature:	55 degrees Celsius Maximum

* Cycle tested to greater than 20,000 cycles.

Note: Not suitable for in-floor cleaning systems.

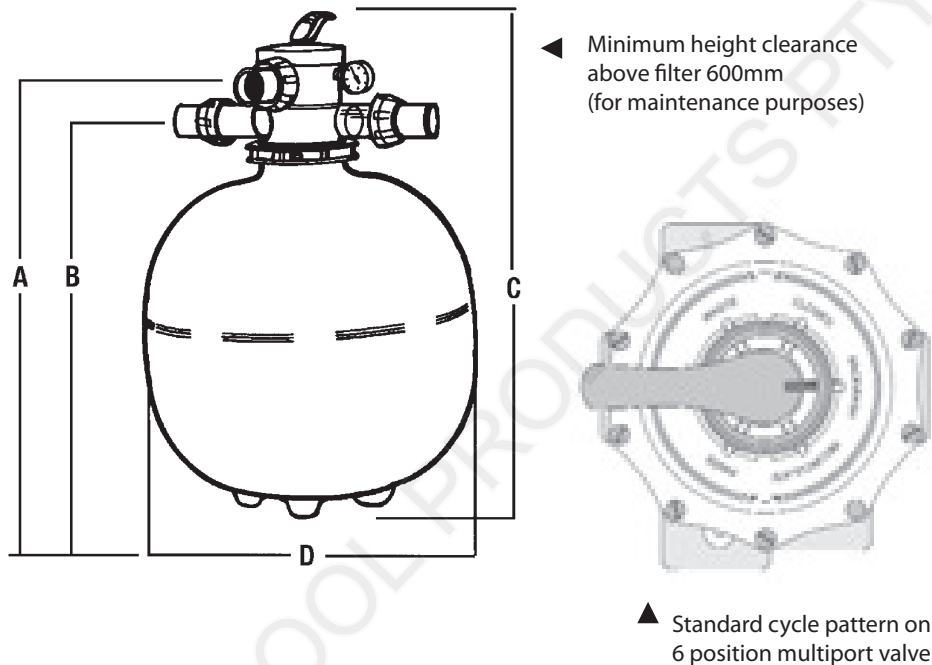
MULTIPOINT VALVE

Component	Material
Type	6 Port
Body	ABS
Handle	ABS
Rotor	Glass filled polypropylene
O-rings	Nitrile
Sight Glass	Polycarbonate
Spider gasket	Santoprene
Spring	304 Stainless Steel
Barrel Unions	ABS

FILTER

Component	Material
Filter body	High density polyethylene
Lateral	Polypropylene
Hub	ABS
Centre Stem	UPVC
Tank Clamp	30% glass filled nylon
Pressure gauge: Type	50mm diameter air filled bottom mount
Thread	1/4" BSPT male
Range	0-270 kPa

LINE DRAWINGS



DIMENSION TABLE

Filter/Valve Model	A Return (mm)	A Waste (mm)	B Pump (mm)	C Height (mm)	D Width (mm)
LSF20	642	577	577	760	500
LSF24	792	677	677	860	600

CONNECTION TYPE

Connection Type	Dimensions
Pump connection	40mm slip PVC
Return connection	40mm slip PVC
Waste connection	40mm slip PVC