

ONGA LEISURETIME POOL PUMP

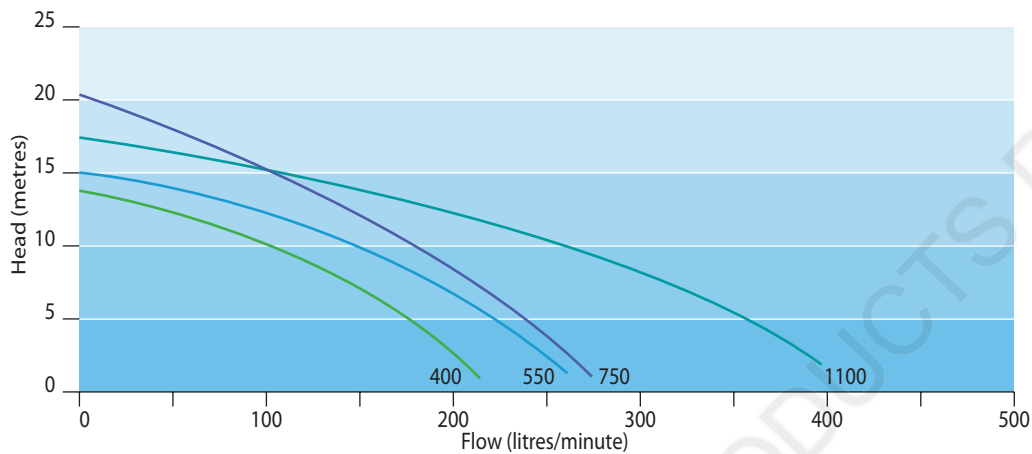


Code	Description
LTP400	Leisuretime Pool Pump 400 watt 0.5HP
LTP550	Leisuretime Pool Pump 550 watt 0.75 HP
LTP750	Leisuretime Pool Pump 750 watt 1 HP
LTP1100	Leisuretime Pool Pump 1100 watt 1.5 HP

MODEL DATA

Pump Model	Motor Kw	Supply Voltage	Phase	Full Load Current	Locked Rotor Current	Capacitor mfd
Abbreviation	P1			FLC	LRC	
Unit of Measure	(hp)	V		Amp	Amp	
LTP400	0.4 (1/2)	230	1	2.7	10	12
LTP550	0.5 (3/4)	230	1	3.5	17	20
LTP750	0.75 (1)	230	1	4.3	17	20
LTP1100	1.1 (1 1/2)	230	1	5.4	23	22

PUMP PERFORMANCE CHART



Disclaimers Every endeavour has been made to publish the correct details in this leaflet. No responsibility will be taken for errors, omissions or changes in product specifications. All performance data taken at sea level.

MOTOR

Type:	TEFC 2 pole
Thermal overload:	Internal, automatic reset
Temperature rise:	Class B
Voltage:	230V - 240
Frequency:	50 Hz

Suitable for pumping clean non-aggressive liquids without solids or fibres in suspension.

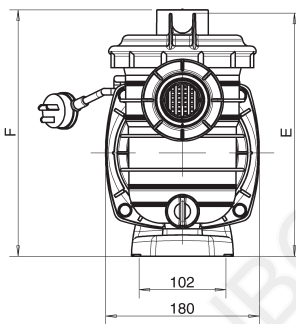
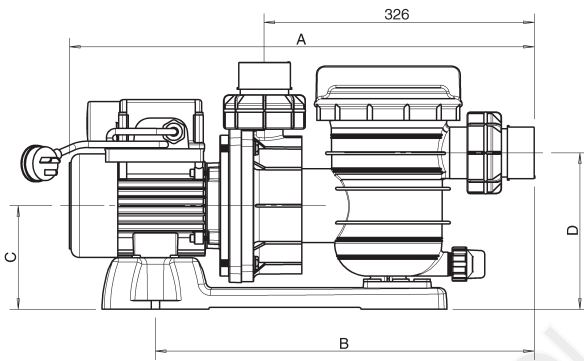
OPERATING CONDITIONS

Fluid:	Water
Maximum Working Pressure:	270 kPa
Water (Swimming Pool) Temp range:	5 Degrees - 35 Degree Celcius
Ambient Temperature:	50 Degrees Celcius Maximum

MATERIALS

Component	Material
Pump Casing:	Glass Filled ABS
Impeller: PPP550	Polypropylene
Impeller: PPP750 -1500	Glass Filled ABS
Baffle	Glass Filled ABS
Diffuser	Glass Filled ABS
Drain Plug	Polypropylene
Motor Shaft	K-1137 Steel
End Shield	Double zinc coated cast iron
Hair and lint pot O-Ring	Nitrile
O-Rings	Low friction Nitrile
Barrel Union	ABS
Hair and lint pot lid	Polycarbonate
Cord/Plug	Approved to AS/NZS 3112

LINE DRAWINGS



*PVC Pipe to AS/NZS 1477. Union to suit metric
PVC to ISO727 available upon request.

DIMENSION TABLE

Pump Model	A (mm)	B (mm)	C (mm)	D (mm)	E (mm)	F (mm)
LPT400	556	454	91	152	254	260
LTP550	578	454	91	152	254	260
LTP750	578	454	91	152	254	260
LTP1100	587	448	91	152	254	260