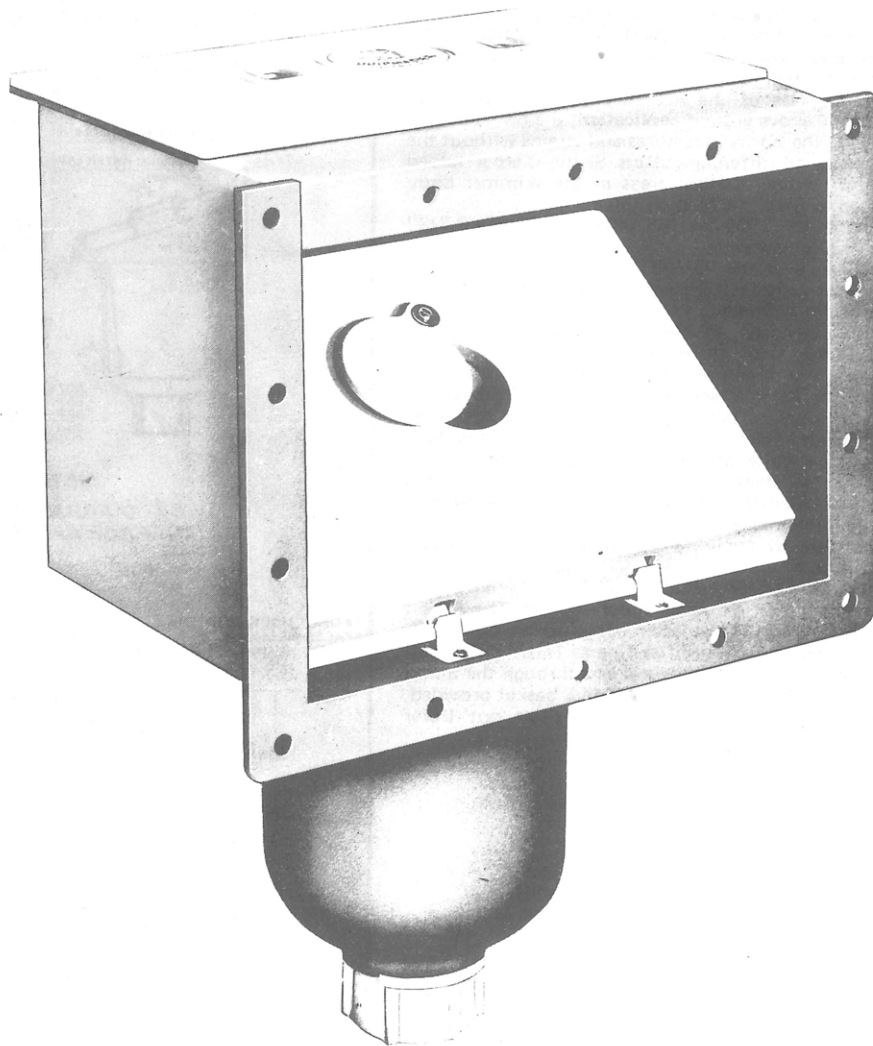




QUIPTRON

'SPA~FLOW'
SK 1000 SKIMMER
WITH EXCLUSIVE 'WEIR-VAC'



QUIPMASTER 'SPA-FLOW' SK1000 SKIMMER

GENERAL DESCRIPTION

'SPA-FLOW' provides through-the-wall skimming capacity and efficiency. It comprises only four basic parts; 1. the main skimmer body, 2. floating weir 3. deck lid 4. the leaf basket. Quipmaster's 'SPA-FLOW' skimmer introduces a unique design feature to the swimming pool industry. It is 'Weir-Vac', a special method (patent pending PB3754/73 PB3966/73) by which the floating weir also doubles as a vacuum plate, when hinged backward 90°.

The weir, when allowed to over-ride a special 30° angle stop (part no SK 1002) on the side of the main body, and with the pump operating, is held down under vacuum in the horizontal plane. It then operates as a vacuum plate. At the back of the 'Weir-Vac' plate, an 'O' ring groove is provided in which an 'O' ring gasket (item no SK 1007) is fitted to ensure a positive seal when vacuuming. To vacuum, the vacuum hose is first filled with water. Then with the regulating cover plate on the weir face swung aside, and with the pump operating, the weir is allowed to override the 30° stop. As the weir becomes the vacuum plate, the cuff of the vacuum hose is brought through the top of the skimmer and fitted into the 'Weir-Vac'.

The actual dimensions of the 'Weir-Vac' are 6 3/4" (170 mm) x 10" (254 mm) wide. This allows water flows of from 750 to 3,250 gallons per hour, (3,409 to 14,774 litres). The water flow over the weir can be regulated by the adjustable coverplate. To reduce the flow over the weir, the coverplate is opened slightly. To assist in this adjustment, the coverplate has moulded radiating marks which can be used to indicate a particular setting.

A 1 1/2" (38.1 mm) circular hole is centrally located in the weir, with a regulating coverplate. Swung aside, it accepts the cuff of the vacuum hose. During normal filtering, this hole is kept either covered or partially covered by the coverplate which is under slight tension. There is no need for external piping, apart from the 1 1/2" plumbing line to the filter pump.

The 'Weir-Vac' concept has introduced economies into the rectangular shaped SK 1000 skimmer, providing a very compact unit moulded in Cylolac. It is a separate Quipmaster skimmer blue to provide a most attractive unit, an important consideration when the finished pool structure will be above ground. The non-skid deck lid and 'Weir-Vac' are moulded white.

Robust construction: Because of the necessity to keep the design clean and uncluttered for above ground application, the SK 1000 was planned to withstand all the normal pressures and strains without the necessity of unsightly ribs or stiffening gussets. Sections are moulded of quality high impact styrene. Critical areas in the skimmer body have wall sections of up to 3/16" (4.76 mm) thick.

Overall dimensions of the SK 1000 are 16" (407 mm) high x 8.7/8" (225 mm) deep x 12" (305 mm) wide.

Moulded around the flange of the 'SPA-FLOW' are 14 only 9/32" (7.14 mm) diameter holes. Refer to diagram (c) which gives complete dimensions for 'cut-out' details.

Easy-Fix Weir: A completely new, simple, non-jamming hinge design enables the SK 1000 floating weir to be snapped in and out through the top of the skimmer. No screws or nuts and bolts to fiddle with. Simply apply pressure to pull the weir out of the specially designed hinges, reverse the procedure to push the weir back into operating position. The two (2) hinges (part no SK 1006) are injection moulded from specially selected styrene and are supplied secured to the skimmer body by four (4) stainless steel (316) self-tapping screws (part no SK 1008). The 'Weir-Vac' has a full width, partial 'round' moulded onto the lower inner edge.

It is snapped into position by applying a small amount of pressure against the styrene hinges.

Hair, leaf and lint basket: The 'SPA-FLOW' SK 1000 Skimmer provides a hair, leaf and lint basket moulded in polystyrene. This basket is the same as used in the cast Quipmaster combination pump-hair leaf and lint pot. All leaves, hair and lint as fine as 1/16" (1.58 mm) are collected by the basket. Should any debris pass through the minus 1/16" moulded mesh, it will be trapped in a similar basket provided, as a secondary safeguard, in the Quipmaster pumps lint 'pot' (refer brochure no PM123).

Escutcheon Plate: (SK 1200) A separately moulded Cylolac Escutcheon Plate, in white, is also available as an optional kit for special pool applications. (See 'above ground and fibreglass installations'). An embossed notation on the reverse side as to 'top' will assist in aligning all holes for correct fit with extension throat, of either Quipmaster SK 950 or SK 1000 skimmers.

INSTALLATION OF YOUR SK1000 'SPA-FLOW' SKIMMER

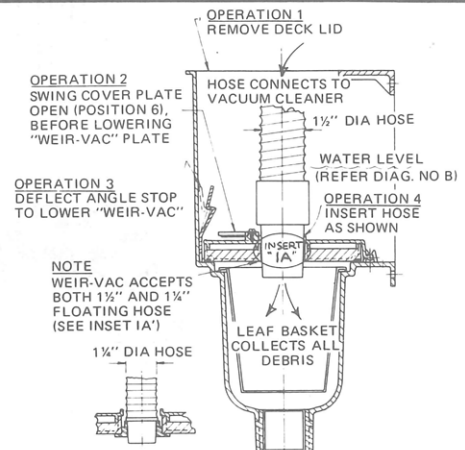


DIAGRAM 'A' VACUUM CLEANING THROUGH 'WEIR-VAC'

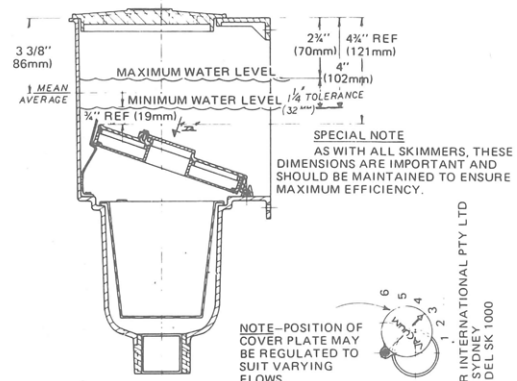


DIAGRAM 'B' AVERAGE WATER LEVEL

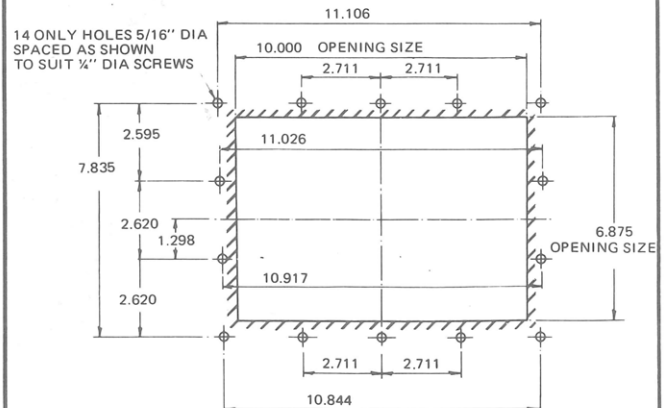


DIAGRAM 'C' "CUT-OUT" DETAILS TO SUIT QUIPMASTER ESCUTCHEON



Rainbow Pool Products

PO Box 2388, Mansfield Qld 4122

Telephone STD 61-7-3849 5385

Facsimile STD 61-7-3849 5384

Email: info@rainbowpoolproducts.com.au

Web: www.rainbowpoolproducts.com.au