

POOLSHARK REPLACEMENT PARTS



Rainbow Pool Products

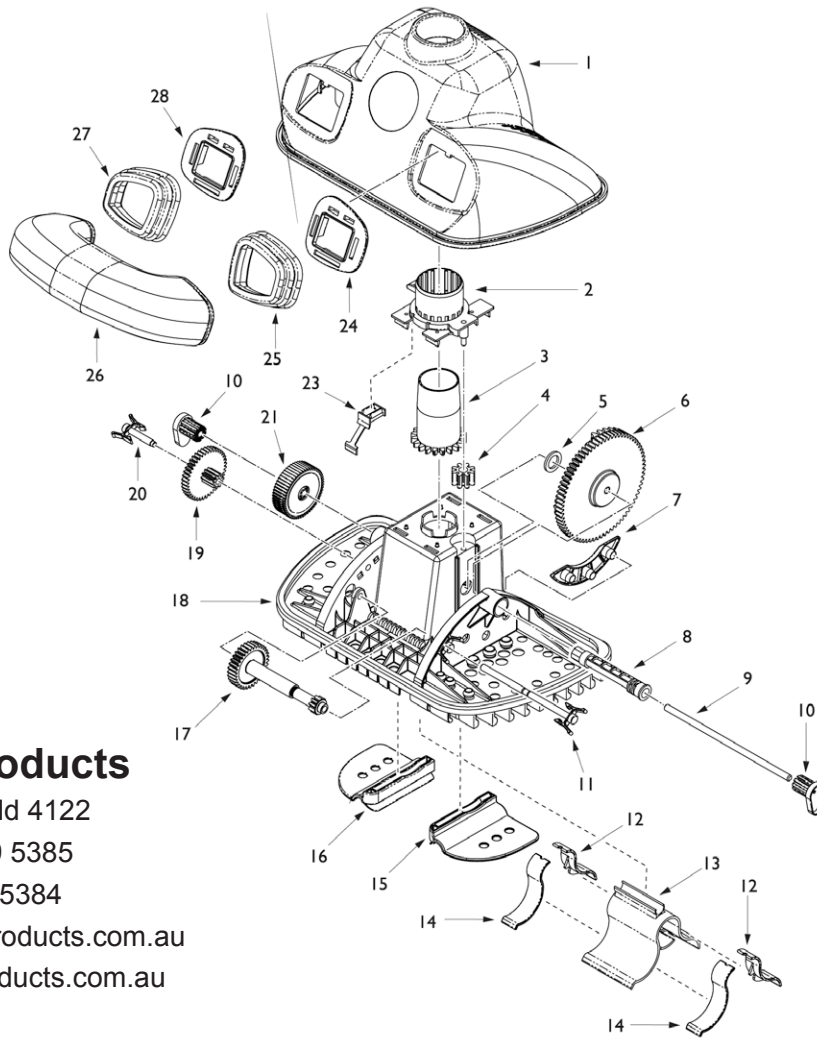
PO Box 2388, Mansfield Qld 4122

Telephone STD 61-7-3849 5385

Facsimile STD 61-7-3849 5384

Email: info@rainbowpoolproducts.com.au

Web: www.rainbowpoolproducts.com.au



| Item | Part No. | Description |
|------|----------|-------------------------------|
| | GW7505 | Steering Kit For Model GW7500 |
| 2 | | Swivel Housing |
| 3 | | Swivel |
| 4 | | Swivel Sprocket |
| 23 | | Clutch Clip |
| | GW7503 | Clutch Kit |
| 5 | | Oscillator Sleeve Bushing |
| 8 | | Oscillator Sleeve |
| 21 | | Clutch Assembly |
| | GW7504 | Gear Kit |
| 6 | | Large Steering Drive Assembly |
| 10 | | Shaft Plug |
| 11 | | Long Sprocket Clip |
| 17 | | Drive Shaft Assembly |
| 19 | | Center Sprocket |
| 20 | | Short Sprocket Clip |
| | GW7502 | Oscillator Kit |
| 12 | | Small Sliding Seal |
| 13 | | Oscillator |
| 14 | | Large Sliding Seal |

| Item | Part No. | Description |
|-------------|-------------|--|
| | GW7506 | Seal Flap Kit (Incl. Key Nos. 15 & 16) |
| 15 | | Right Seal Flap |
| 16 | | Left Seal Flap |
| | GW7511 | Bumper Kit For Model GW7700 |
| | GW7501 | Bumper Kit For Model GW7500 |
| 24 | | Right Bumper Boot Clip |
| 25 | | Right Bumper Boot |
| 26 | | Bumper |
| 27 | | Left Bumper Boot |
| 28 | | Left Bumper Boot Clip |
| ACCESSORIES | | |
| 18 | 41201-0242 | Chassis with Pad For Model GW7500 |
| 18 | 41201-0242C | Chassis with Pad For Model GW7700 |
| NOT SHOWN | | |
| | 77705-0400 | Accessory Kit |
| | GW9015 | Reducer Cone (velve) |
| | 41201-0253 | Short "Leader" Hose |
| | 41201-0252 | Hose Standard 1.0m |
| | GW7507 | Hose, Replacement - 25 pack, 1 meter lengths |