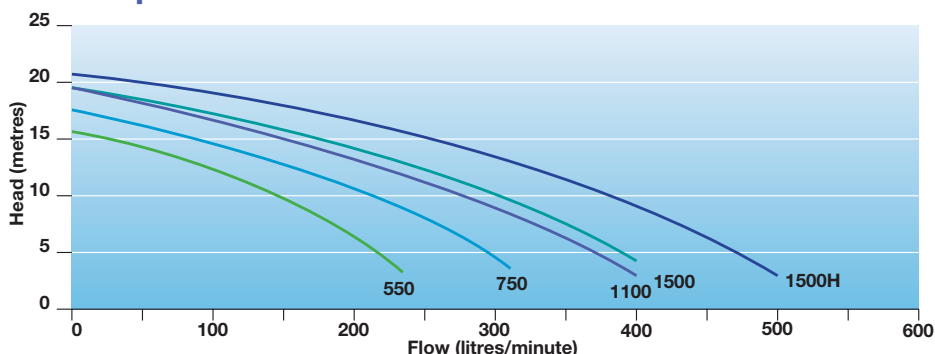


Pump Performance Chart



Disclaimers Every endeavour has been made to publish the correct details in this leaflet. No responsibility will be taken for errors, omissions or changes in product specifications. All performance data taken at sea level.

Operating Conditions

Suitable for pumping clean non-aggressive liquids without solids or fibres in suspension.

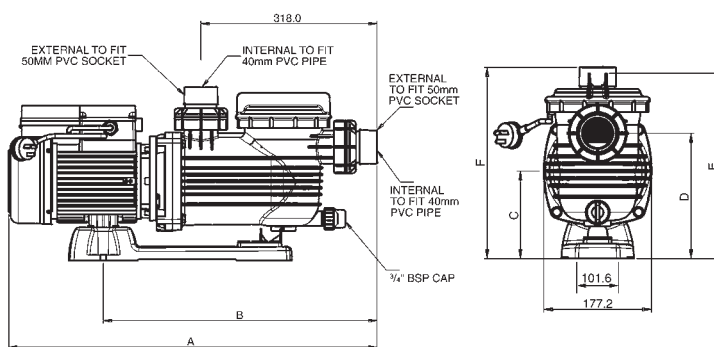
Fluid:	Water
Maximum working pressure:	295 kPa
Water (Swimming Pool) temp range:	5°C-35°C
Ambient temperature:	50°C maximum

Motor

Type:	TEFC 2 pole continuously rotated
Nominal speed:	2800 rpm
IP rating:	IP55
Insulation class:	Class F
Thermal overload:	Inbuilt auto reset
Temperature rise:	Class B
Frequency:	50Hz*
Voltage:	230-240*
Bearing type:	Deep groove ball bearing with double contact lip seal
Bearing temperature rating:	150°C

* Some models also available in 60Hz, check your local Pentair Water office for price and availability.

Line Drawings



*PVC Pipe to AS/NZS 1477. Union to suit metric PVC to ISO727 available upon request.

Materials

Component	Material
Pump casing:	20% Glass filled ABS
Impeller: PPP550	20% Glass filled polycarbonate
Impeller: PPP750-1500H	20% Glass filled ABS
Baffle:	20% Glass filled ABS
Diffuser:	20% Glass filled ABS
Yoke:	20% Glass filled ABS
Drain cap:	Polypropylene
Shaft sleeve:	Nylon
Motor shaft:	400 series stainless steel
End shield:	Powder coated cast iron
Hair and lint pot O-ring:	Low friction nitrile
Casing O-ring:	Nitrile
Barrel union O-ring:	Nitrile
Barrel union:	ABS
Hair and lint pot lid:	Polycarbonate
Cord/Plug:	Approved to AS/NZS 3112

Dimension Table

Pump Model	A (mm)	B (mm)	C (mm)	D (mm)	E (mm)	F (mm)
PPP550	630	487	121	185	288	290
PPP750	630	487	121	185	288	290
PPP1100	630	495	144	185	288	290
PPP1500	630	495	144	185	288	290
PPP1500H	630	495	144	185	288	314

Note: Dimension 'E' an additional 160mm clearance height required above the pump to remove strainer basket for maintenance and cleaning purposes.

Unless otherwise specified, all dimensions in mm. Fixing holes accept 8mm fasteners.

Mechanical seal, 3/4" type 6 (PPP550 1/2")

Flexible bellows:	Nitrile
Stationary face:	Ceramic
Rotating face:	Carbon
Spring:	18-8 stainless steel

Model Data

Pump Model	Motor Kw Nominal	Supply Voltage	Phase	Full Load Current	Locked Rotor Current	Capacitor mfd	Sound Power Level	Supply Cord Length	Net Weight	Packed Weight	Carton Dimensions L x W x H
PPP550	0.55 (3/4)	240	1	2.5	8.5	10	62	2	10.5	12.5	610 x 190 x 305
PPP750	0.75 (1)	240	1	4.3	16	20	66	2	10.5	12.5	610 x 190 x 305
PPP1100	1.0 (1 1/4)	240	1	5.4	24	22	65	2	12	14	610 x 190 x 305
PPP1500	1.2 (1 1/2)	240	1	6.2	24	22	66	2	12	14	610 x 190 x 305
PPP1500H	1.5 (2)	240	1	8.2	38	40	68	2	16.5	18	670 x 225 x 345

* dB(A) @ 1 metre
Grey Row = Ceased Production



Rainbow Pool Products

PO Box 2388, Mansfield Qld 4122

Telephone STD 61-7-3849 5385

Facsimile STD 61-7-3849 5384

Email: info@rainbowpoolproducts.com.au

Web: www.rainbowpoolproducts.com.au