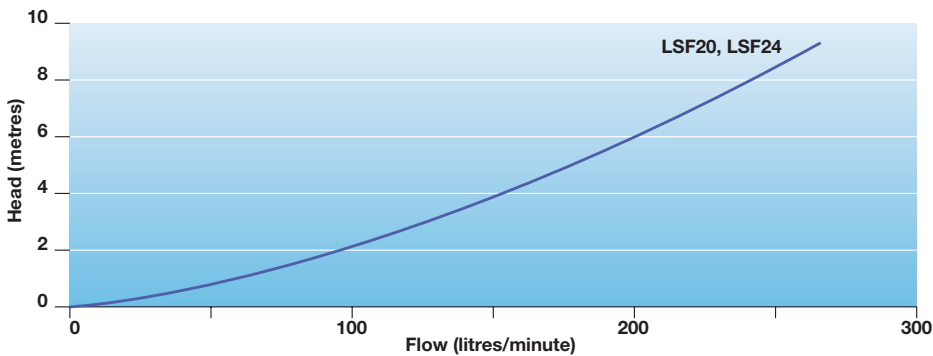


Filter Head Loss Curve



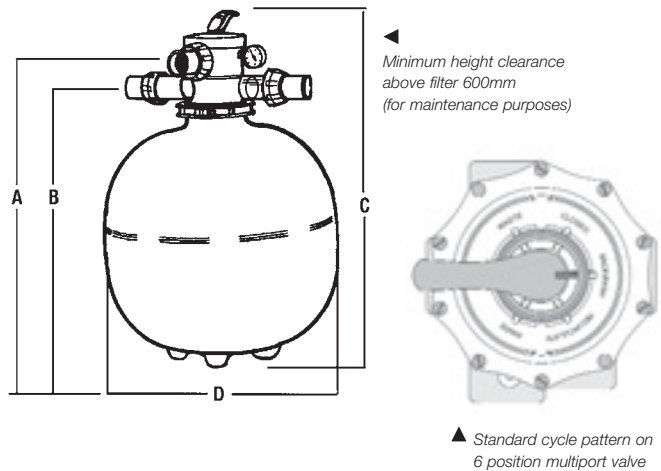
Disclaimers Every endeavour has been made to publish the correct details in this leaflet. No responsibility will be taken for errors, omissions or changes in product specifications. All performance data taken at sea level.

Operating Conditions

Fluid:	Water
Maximum working pressure:	230 kPa*
Water temperature range:	5°C – 38°C
Ambient temperature:	55°C maximum

* Cycle tested to greater than 20,000 cycles
 Note: Not suitable for in-floor cleaning systems.

Line Drawings



Multiport Valve

Component	Material
Type:	6 port
Body:	ABS
Handle:	ABS
Rotor:	Glass filled polypropylene
O-rings:	Nitrile
Sight glass:	Polycarbonate
Spider gasket:	Santoprene
Spring:	304 stainless steel
Barrel unions:	ABS

Note: Some PVC jointing compounds are incompatible with ABS possibly causing failure to the product. Check jointing compound suitability prior to using.

Filter

Component	Material
Filter body:	High density polyethylene
Lateral:	Polypropylene
Hub:	ABS
Centre stem:	UPVC
Tank clamp:	30% glass filled nylon
Pressure gauge:	50mm diameter air filled bottom mount
Thread	1/4" BSPT male
Range	0 – 270 kPa

Dimension Table

Filter/Valve Model	A Return (mm)	A Waste (mm)	B Pump (mm)	C Height (mm)	D Width (mm)
LSF20	642	577	577	760	500
LSF24	792	677	677	860	600
1.5" MPV	–	–	–	230	180

Connection Type	Dimensions
Pump connection:	40mm slip PVC
Return connection:	40mm slip PVC
Waste connection:	40mm slip PVC

Note: Unless specified otherwise, all dimensions in mm.

Filter Data

Filter Model	Max Flow Rate (lpm)	Min* Flow Rate (lpm)	Sand Amount (kg)	Sand Grade	Zelbrite Amount (kg)	Filter Area (m ²)	Multiport Valve	Number of Laterals	Net Weight (kg)	Net Weight (kg)	Carton Dimensions (L x W x H (mm))
LSF20	168	119	60	16/30	45	.196	1.5"	8	13	14	516 x 516 x 546
LSF24	221	162	100	16/30	75	.265	1.5"	8	17	18	621 x 621 x 363
1.5" MPV	–	–	–	–	–	–	–	–	3	4	310 x 250 x 310

* Minimum flow rate required for sufficient backwash of filters

Domestic flow rate based on filtration rate of 50m³Hr/m² of filter area. Commercial applications require a filtration rate between 15m³Hr/m² and 30m³Hr/m².



Rainbow Pool Products

PO Box 2388, Mansfield Qld 4122
 Telephone STD 61-7-3849 5385
 Facsimile STD 61-7-3849 5384
 Email: info@rainbowpoolproducts.com.au
 Web: www.rainbowpoolproducts.com.au