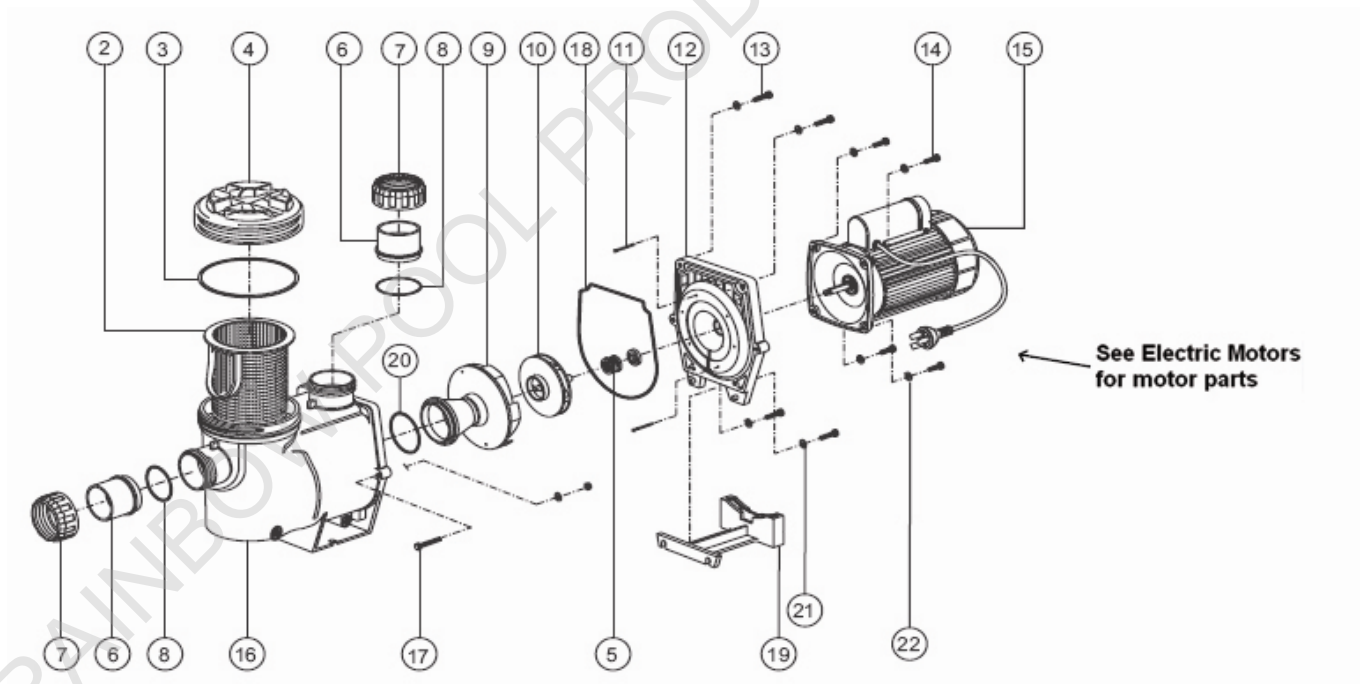


### CX PUMPS

#### SPARE PARTS DIAGRAM



Key	Description	Product Code
2	Basket TX/CX Pump	40065
3	"O" ring (lid)	70006
4	Lid TX/CX Pump	40085
5	Mechanical seal	75508
6	Tail union 50mm	950920
	Tail union 50/40mm	950918
7	Nut union 50mm	950919
8	"O" ring (tail 50mm)	70003
9	Diffuser	40071
10	Impeller CX 180	40060A
	Impeller CX 240	40060B
	Impeller CX 280	40060C
	Impeller CX 320	40060D
	Impeller CX 400	40060J
11	M3 x 30 S/S bolt	40165
12	Seal plate - Beige	40090
	Seal Plate - Black	40091
13	M8 x 30 S/S bolt	40150
14	M10 x 25 S/S bolt	40155
15	Motor 750 watt output - Beige	71323
	Motor 1100 watt output - Beige	71324
	Motor 1500 watt output - Beige	71329
	Motor 2100 watt output - Beige	71331
	Motor 415V 3ph 1700 watt - Beige	71330
	Motor 750 watt output - Black	71313
	Motor 1100 watt output - Black	71314
	Motor 1500 watt output - Black	71319
16	Volute - Beige	40075
	Volute - Black	40076
17	M8 x 55 S/S bolt	40160
18	Square "O" ring (seal plate)	70004
19	Motor stand - Beige	40050
	Motor stand - Black	40051
20	"O" ring (diffuser)	70005
21	M8 flat washer S/S	40180
22	M10 flat washer S/S	40175