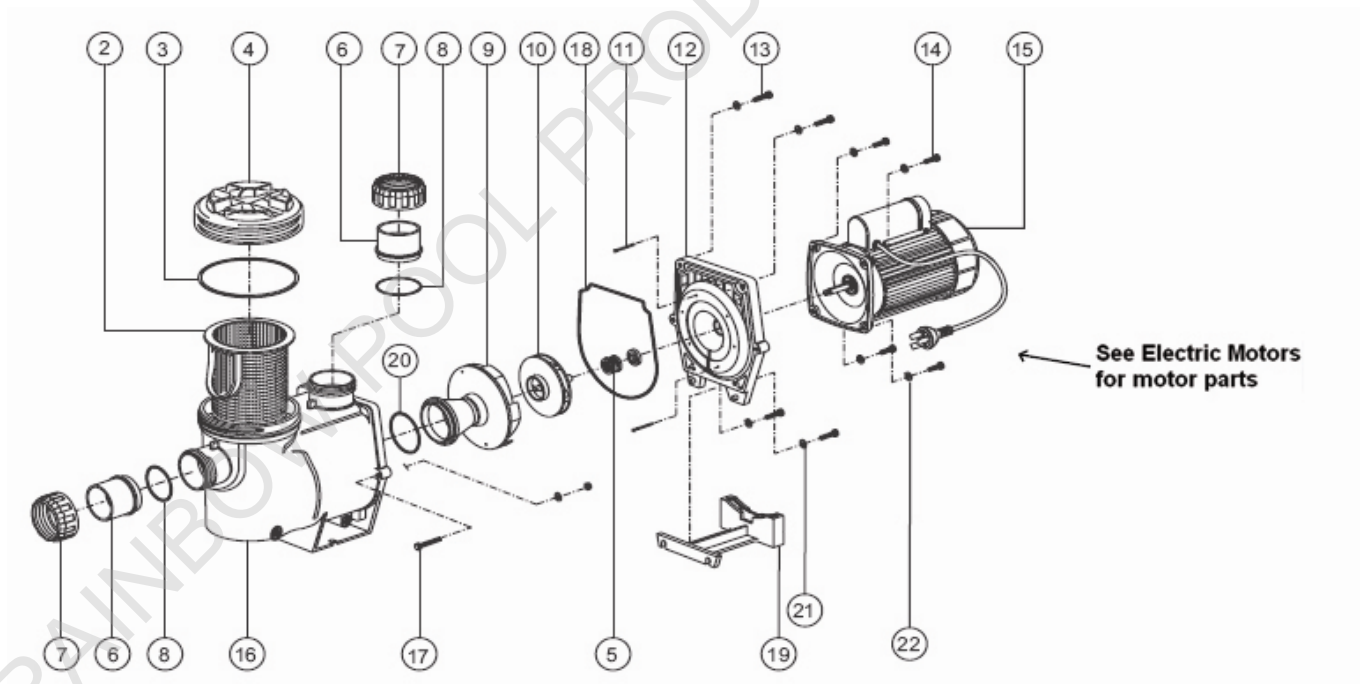


### CTX PUMPS

#### SPARE PARTS DIAGRAM



| Key | Description                      | Product Code |
|-----|----------------------------------|--------------|
| 2   | Basket TX/CX Pump                | 40065        |
| 4   | Lid CTX Pump                     | 40087        |
| 4   | Lid CTX Locking 1/4 Turn Clamp   | 40088        |
| 3   | Lid CTX O'Ring                   | 70001        |
| 5   | Mechanical seal                  | 75508        |
| 6   | Tail union 50mm                  | 950920       |
|     | Tail union 50/40mm               | 950918       |
| 7   | Nut union 50mm                   | 950919       |
| 8   | "O" ring (tail 50mm)             | 70003        |
| 9   | Diffuser                         | 40070        |
| 10  | Impeller CTX 180                 | 40060R       |
|     | Impeller CTX 280                 | 40060S       |
|     | Impeller CTX 360                 | 40060T       |
|     | Impeller CTX 400                 | 40060U       |
|     | Impeller CTX 500                 | 40060V       |
|     | Impeller CTX 610                 | 40060W       |
| 11  | M3 x 30 S/S bolt                 | 40165        |
| 12  | Seal plate - Beige               | 40090        |
| 13  | M8 x 30 S/S bolt                 | 40150        |
| 14  | M10 x 25 S/S bolt                | 40155        |
| 15  | Motor 750 watt output - Beige    | 71323        |
|     | Motor 1100 watt output - Beige   | 71324        |
|     | Motor 1500 watt output - Beige   | 71329        |
|     | Motor 2100 watt output - Beige   | 71331        |
|     | Motor 415V 3ph 1700 watt - Beige | 71330        |
| 16  | Volute - Beige                   | 40075        |
| 17  | M8 x 55 S/S bolt                 | 40160        |
| 18  | Square "O" ring (seal plate)     | 70004        |
| 19  | Motor stand - Beige              | 40050        |
| 20  | "O" ring (diffuser)              | 70005        |
| 21  | M8 flat washer S/S               | 40180        |
| 22  | M10 flat washer S/S              | 40175        |