



RODAS FILTER 1050mm



Description

**Rodas Filter 1050mm
(Sand bed depth: 0.6m)**

***2 Year (plus 8 year pro-rate) Warranty on tank,
1 Year Warranty on internals, gauges, valves***

Tanks – Maximum working pressure: 250 kPa (2.5 bar) – Test pressure 375 kPa

Tanks – Maximum working pressure: 400 kPa (4.0 bar) – Test pressure 600 kPa

SPECIFICATIONS

Rodas Filter 1050mm

Description:

Fibreglass horizontal commercial sand filters 1050 mm diameter. Maximum operating temperature 50°C. Tested at 1.5 times maximum operating pressure. Equipped with pressure gauge panel, manual air, water purge and 400mm loading access. Internal components and pipe in PVC. Laterals 0.3 mm slots in PP. Bolts, nuts and washers in AISI-316. EPDM seals and gaskets.

Options:

Options for side opening placement. Vinylester internal lining for ozone treated pools. Sightglass 135mm and 400mm side manhole.

Ordering:

Refer to Options Page for options codes and pricing.

Warranty guide:

2 year full plus 8 year pro rate warranty on filter tank and 1 year full warranty on internal components, gauges, valve. Refer to instructions for full warranty details

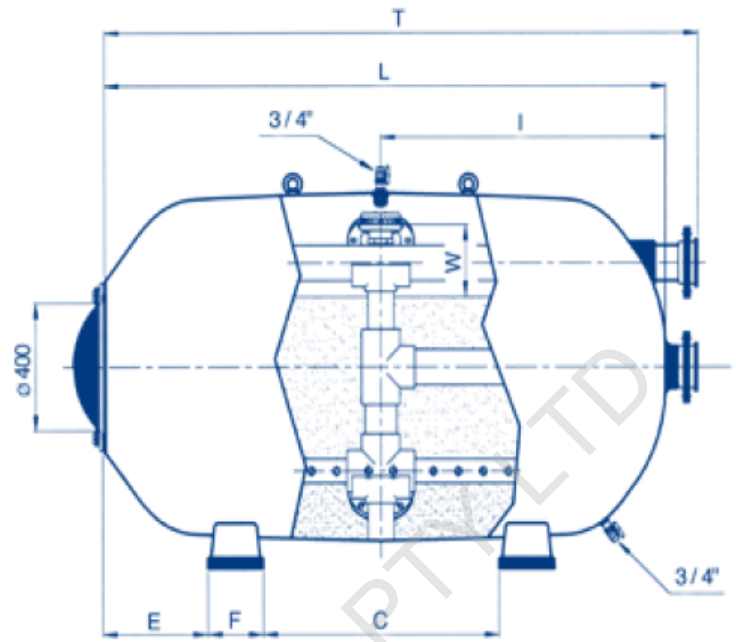
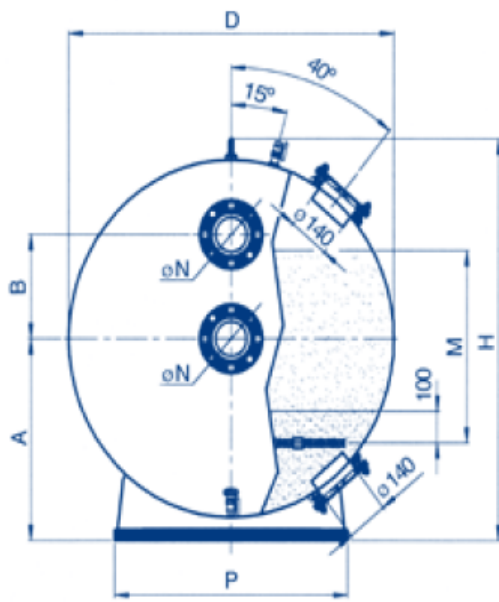
Tanks - Maximum working pressure: 250 kPa (2.5 bar) - Test pressure 375 kPa

	Product Code	Velocity m3/h/m2	Flow Rate m3/hr	Connections
Rodas filter Ø 1.050 - length 1.900	05102	20	34	65 mm
Rodas filter Ø 1.050 - length 1.900	05105	30	52	80 mm
Rodas filter Ø 1.050 - length 1.900	05108	40	69	100 mm
Rodas filter Ø 1.050 - length 2.300	11331	20	42	100 mm
Rodas filter Ø 1.050 - length 2.300	11332	30	64	125 mm*
Rodas filter Ø 1.050 - length 2.300	11333	40	85	140 mm*
Rodas filter Ø 1.050 - length 2.500	24842	20	46	100 mm
Rodas filter Ø 1.050 - length 2.500	24843	30	70	125 mm*
Rodas filter Ø 1.050 - length 2.500	24844	40	93	140 mm*
Rodas filter Ø 1.050 - length 2.700	11334	20	50	100 mm
Rodas filter Ø 1.050 - length 2.700	11335	30	75	125 mm*
Rodas filter Ø 1.050 - length 2.700	11336	40	100	140 mm*
Rodas filter Ø 1.050 - length 3.000	22647	20	56	100 mm
Rodas filter Ø 1.050 - length 3.000	22648	30	84	140 mm*
Rodas filter Ø 1.050 - length 3.000	22649	40	112	150 mm

Tanks - Maximum working pressure: 400 kPa (4.0 bar) - Test pressure 600 kPa

	Product Code	Velocity m3/h/m2	Flow Rate m3/hr	Connections
Rodas filter Ø 1.050 - lenght 1.900	07124	20	34	65 mm
Rodas filter Ø 1.050 - lenght 1.900	07125	30	52	80 mm
Rodas filter Ø 1.050 - lenght 1.900	07126	40	69	100 mm
Rodas filter Ø 1.050 - lenght 2.300	11321	20	42	100 mm
Rodas filter Ø 1.050 - lenght 2.300	11322	30	64	125 mm*
Rodas filter Ø 1.050 - lenght 2.300	11323	40	85	140 mm*
Rodas filter Ø 1.050 - lenght 2.500	25016	20	46	100 mm
Rodas filter Ø 1.050 - lenght 2.500	25017	30	70	125 mm*
Rodas filter Ø 1.050 - lenght 2.500	25018	40	93	140 mm*
Rodas filter Ø 1.050 - lenght 2.700	11326	20	50	100 mm
Rodas filter Ø 1.050 - lenght 2.700	11327	30	75	125 mm*
Rodas filter Ø 1.050 - lenght 2.700	11328	40	100	140 mm*
Rodas filter Ø 1.050 - lenght 3.000	22683	20	56	100 mm
Rodas filter Ø 1.050 - lenght 3.000	22684	30	84	140 mm*
Rodas filter Ø 1.050 - lenght 3.000	20895	40	112	150 mm

* European Pipe Connections



Length (mm)	Filtration velocity (m ² /h/m ²)	Ø N (mm)		2.5 bar 4 bar		Flow m ³ /h	Filtration area m ² .	Vol. (l)	A (mm)	B (mm)	C (mm)	E (mm)	F (mm)	H (mm)	I (mm)	P (mm)	T (mm)	W (mm)	Total service weight Kg.	Sand charge Kg.	
				Code	Code															1 - 1.2 mm	0.4 - 0.8 mm
Diameter 1050 mm - Height of filter bed 0.6 m.																					
1900	20	75	DN65	05102	07124	34	1.72	1480	630	325	760	380	190	1260	950	800	2160	170	2530	350	950
	30	90	DN80	05105	07125	52															
	40	110	DN100	05108	07126	69															
2300	20	110	DN100	11331	11321	42	2.12	1820	630	325	1000	460	190	1260	1150	800	2560	170	3100	475	1250
	30	125	DN110	11332	11322	64															
	40	140	DN125	11333	11323	85															
2500	20	110	DN100	24842	25016	46	2.32	2000	630	325	1120	500	190	1260	1250	800	2760	170	3380	575	1525
	30	125	DN110	24843	25017	70															
	40	140	DN125	24844	25018	93															
2700	20	110	DN100	11334	11326	50	2.51	2170	630	325	1240	540	190	1260	1350	800	2960	170	3670	700	1800
	30	125	DN110	11335	11327	75															
	40	140	DN125	11336	11328	100															
3000	20	110	DN100	22647	22683	56	2.81	2430	630	325	1420	600	190	1260	1500	800	3260	170	4100	775	2025
	30	140	DN125	22648	22684	84															
	40	160	DN150	22649	20895	112															