

**POLYPROPYLENE AND FIBREGLASS STRAINER -  
33L CAPACITY WITH SIGHTGLASS**



<b>Code</b>	<b>Description</b>	<b>3 Year Warranty</b>
15644	Connections 80mm – 37 m <sup>3</sup> /h	
15646	Connections 100mm – 55 m <sup>3</sup> /h	
15646	Connections 125mm – 72 m <sup>3</sup> /h	
15647	Connections 140mm – 90 m <sup>3</sup> /h	
15648	Strainers 3" – 37m <sup>3</sup> /h	
15649	Strainers 4" – 55m <sup>3</sup> /h	

# SPECIFICATIONS

## Strainer in Polypropylene and Fibreglass – 33L Capacity with Sightglass

**Description:**

Flanges drilled according to DIN-2501. Hoop type clamp. Drain plug. Maximum working pressure: 1.5bar.

**Ordering:**

Please specify product number when ordering.

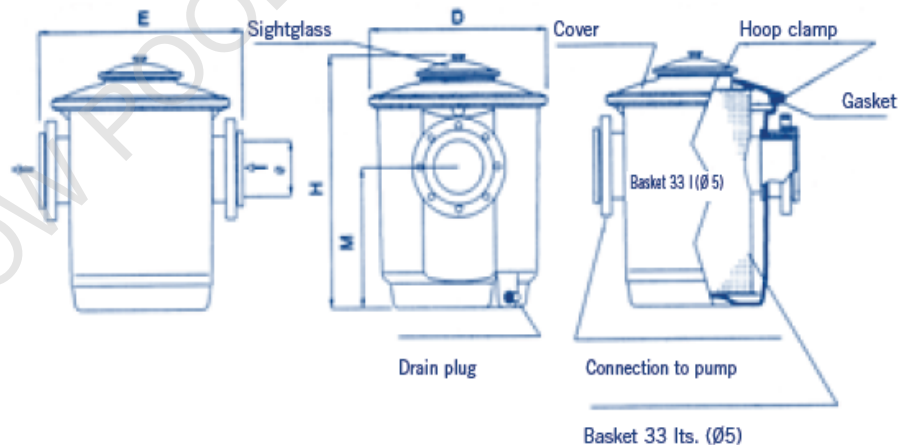
**Warranty Guide:**

Limited three (3) year warranty on all components. Refer to instructions for full warranty details

Product Code
--------------

Connections 80mm - 37 m3/h	15644
Connections 100mm - 55 m3/h	15645
Connections 125mm - 72 m3/h	15646
Connections 140mm - 90 m3/h	15647
Strainer 3" - 37 m3/h	15648
Strainer 4" - 55 m3/h	15649

33 L POLYESTER STRAINERS.



Ref.	15644	15645	15646	15647	15648	15649
H	635	635	635	635	635	635
D	475	475	475	475	475	475
M	353	353	353	353	353	353
Ø	90	110	125	140	3"	4"
E	500	516	532	546	500	516