



OSLO FILTER



Description

**Oslo Filter
(Sand bed depth: 1.2m)**

***2 Year (plus 8 year pro-rate) Warranty on tank,
1 Year Warranty on internals, gauges, valves***

Tanks – Maximum working pressure: 250 kPa (2.5 bar) – Test pressure 375 kPa

Tanks – Maximum working pressure: 400 kPa (4.0 bar) – Test pressure 600 kPa

SPECIFICATIONS

Oslo Filter

Description:

Vertical high performance bobbin wound fibreglass filter. Equipped with pressure gauge, manual air vent, water purge and laterals with 0.3mm slots.

Options:

Nozzle collector plate with 0.5mm slots. Side manhole. Additional sightglass. Vinylester internal lining. Models available for maximum working pressure 250 kPa (2.5 bar) and 400 kPa (4.0 bar).

Ordering:

Refer to Options Page for option codes and pricing.

**All filter vessels from 2350mm diameter will require special transport. Please ask for a quotation at the time of your enquiry.

Warranty guide:

2 year full plus 8 year pro rate warranty on filter tank and 1 year full warranty on internal components, gauges, valve. Refer to instructions for full warranty details

Tanks - Maximum working pressure: 250 kPa (2.5 bar) - Test pressure 375 kPa

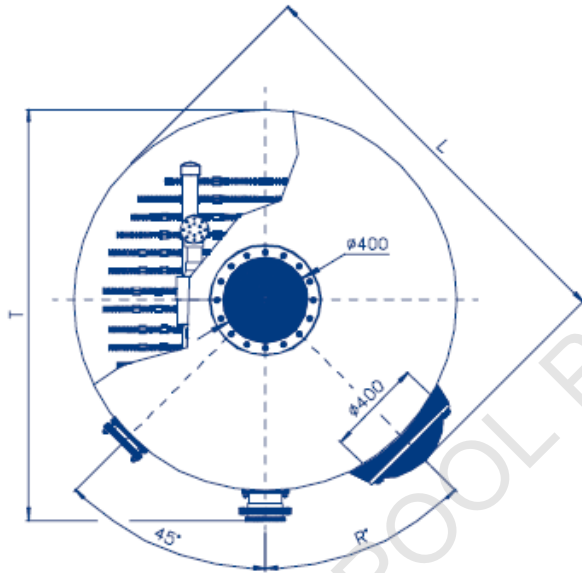
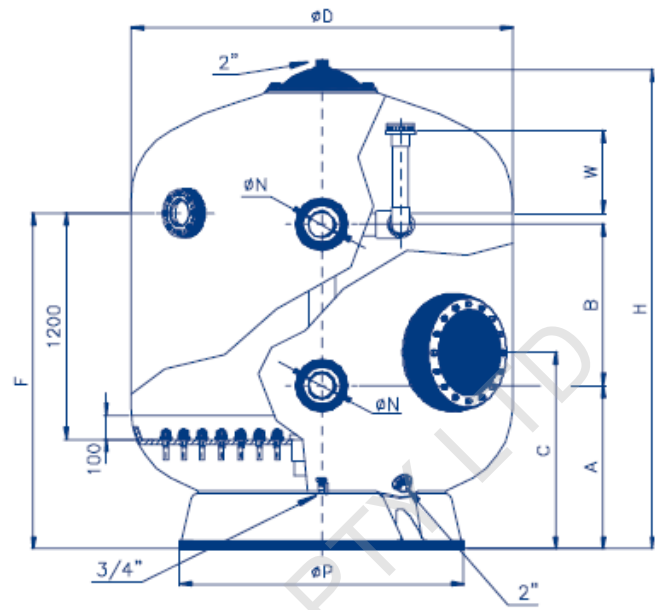
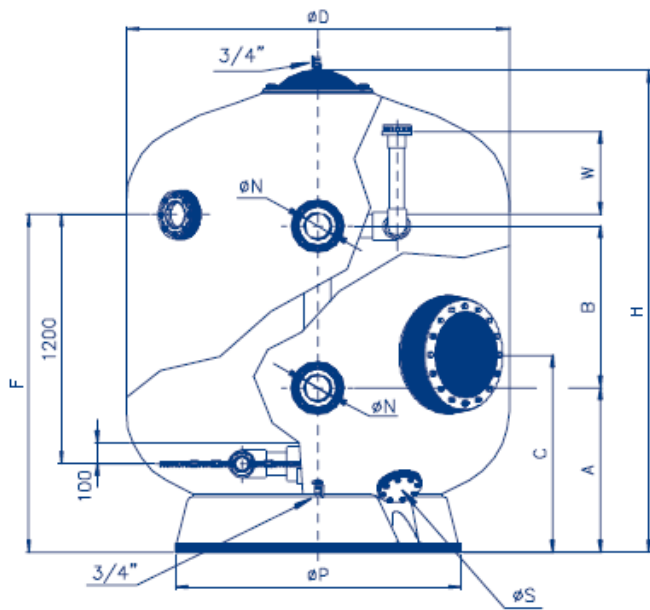
	Product Code	Velocity m3/h/m2	Flow Rate m3/hr	Connections
Oslo filter Ø 1.050	04611	30	25	65 mm
Oslo filter Ø 1.050	04612	40	34	80 mm
Oslo filter Ø 1.200	04613	30	33	65 mm
Oslo filter Ø 1.200	04650	40	45	100 mm
Oslo filter Ø 1.400	04615	30	46	80 mm
Oslo filter Ø 1.400	04616	40	61	125 mm*
Oslo filter Ø 1.600	04619	30	60	100 mm
Oslo filter Ø 1.600	04651	40	80	140 mm*
Oslo filter Ø 1.800	04623	30	76	125 mm*
Oslo filter Ø 1.800	04624	40	100	150 mm
Oslo filter Ø 2.000	04626	30	94	125 mm*
Oslo filter Ø 2.000	04652	40	125	150 mm
Oslo filter Ø 2.350	08693	30	130	140 mm*
Oslo filter Ø 2.350	08694	40	175	200 mm*
Oslo filter Ø 2.500	08704	30	150	150 mm
Oslo filter Ø 2.500	08706	40	200	225 mm
Oslo filter Ø 3.000	08708	30	212	200 mm*
Oslo filter Ø 3.000	08710	40	282	250 mm

Tanks - Maximum working pressure: 400 kPa (4.0 bar) - Test pressure 600 kPa

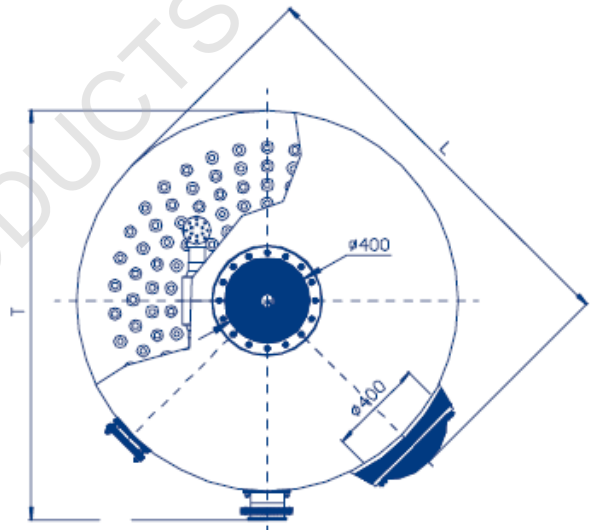
	Product Code	Velocity m3/h/m2	Flow Rate m3/hr	Connections
Oslo filter Ø 1.050	05168	30	25	65 mm
Oslo filter Ø 1.050	05173	40	34	80 mm
Oslo filter Ø 1.200	05169	30	33	65 mm
Oslo filter Ø 1.200	05174	40	45	100 mm
Oslo filter Ø 1.400	07436	30	46	80 mm
Oslo filter Ø 1.400	07437	40	61	125 mm*
Oslo filter Ø 1.600	05170	30	60	100 mm
Oslo filter Ø 1.600	05175	40	80	140 mm*
Oslo filter Ø 1.800	07438	30	76	125 mm*
Oslo filter Ø 1.800	07439	40	101	150 mm
Oslo filter Ø 2.000	05171	30	94	125 mm*
Oslo filter Ø 2.000	05176	40	125	150 mm
Oslo filter Ø 2.350	05172	30	130	140 mm*
Oslo filter Ø 2.350	05177	40	175	200 mm*
Oslo filter Ø 2.500	08712	30	150	150 mm
Oslo filter Ø 2.500	08714	40	200	225 mm
Oslo filter Ø 3.000	08716	30	212	200 mm*
Oslo filter Ø 3.000	08718	40	282	250 mm

* European Pipe Connections

RAINBOW POOL PRODUCTS B.V.



With laterals



With nozzle plate

ø D (mm)	Filtration velocity (m ³ /h/m ²)	ø N (mm)		2.5 bar		4 bar	Flow rate m ³ /h	Filtration area m ² .	Vol. (l)	A mm	B mm	C mm	F mm	H mm	L mm	ø P mm	R mm	ø S mm	T mm	W mm	Total service weight Kg.
				Code	Code																
1050	30	75	DN65	04611	05168	25	0.86	1500	650	940	770	1550	2070	1240	750	55	90	1220	325	2450	
	40	90	DN80	04612	05173	34															
1200	30	75	DN65	04613	05169	33	1.13	1860	670	920	770	1550	2080	1390	940	45	90	1380	350	3000	
	40	110	DN100	04650	05174	45															
1400	30	90	DN80	04615	07436	46	1.54	2700	680	820	840	1570	2175	1590	1085	45	90	1570	350	4300	
	40	125	DN110	04616	07437	61															
1600	30	110	DN100	04619	05170	60	2.01	3620	780	800	870	1625	2310	1790	1230	45	140	1780	400	5825	
	40	140	DN125	04651	05175	80															
1800	30	125	DN110	04623	07438	76	2.54	4725	790	780	950	1625	2320	1990	1370	45	140	2000	400	7300	
	40	160	DN150	04624	07439	101															
2000	30	125	DN110	04626	05171	94	3.14	5800	790	840	950	1695	2460	2190	1550	45	140	2200	400	9000	
	40	160	DN150	04652	05176	125															
2350	30	140	DN125	08693	05172	130	4.34	8800	1065	700	1030	1850	2720	2550	1830	45	140	2550	500	13750	
	40	200	DN175	08694	05177	175															
2500	30	160	DN150	08704	08712	150	4.90	9850	1125	450	1080	1760	2750	2700	1830	45	140	2750	500	14885	
	40	225	DN200	08706	08714	200															
3000	30	200	DN175	08708	08716	212	7.07	15350	1150	600	1140	1870	2950	3200	2365	45	140	3200	500	21615	
	40	250	DN225	08710	08718	282															