



HR COMMERCIAL POOL HEATER



Code

Description

HR Commercial Pool Heater

12 Months Warranty on parts

10708	HR 600 Outdoor
10718	HR 800 Outdoor
10728	HR 1000 Outdoor
10738	HR1200 Outdoor
10748	HR 1400 Outdoor
10758	HR 1600 Outdoor
10768	HR 1800 Outdoor
10709	HR 600 Indoor
10719	HR 800 Indoor
10729	HR 1000 Indoor
10739	HR1200 Indoor
10749	HR 1400 Indoor
10759	HR 1600 Indoor
10769	HR 1800 Indoor

SPECIFICATIONS

HR Commercial Pool Heater

Description:

Commercial Pool Heater, Natural Gas or LP Gas, balanced flue for outdoor installation or inbuilt draft diverter when installed indoors, Bronze Headers, large 22.25mm internal diameter finned copper tube head exchanger, Genus IV Thermostat, G4 compliant, High efficiency, marine grade, powdercoated cabinet inside and out, "Superwool" refractory insulation for low residual heat.

Options:

Left or right hand water connections.

Indoor or Outdoor

LP Gas or Natural Gas

Remote Thermostat

Ordering:

Please specify product number, indoor or outdoor, LPG or Natural Gas.

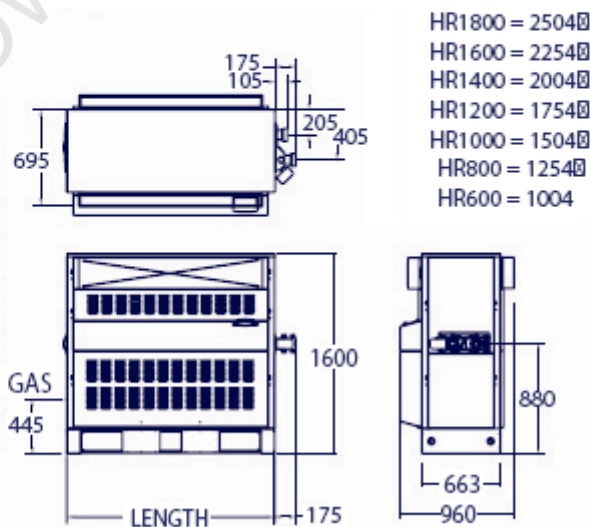
Allow 25 days for manufacturing.

Onsite commissioning available - POA

Warranty Guide:

12 months on parts. Refer to instructions and website for full warranty details

Model	"A" Dim	"B" Dim	"C" Dim	Water	Gas
HR600	1600	1004	960	1 1/2	25
HR800	1600	1254	960	1 1/2	40
HR1000	1600	1504	960	1 1/2	40
HR1200	1600	1754	960	2	40
HR1400	1600	2004	960	2	40
HR1600	1600	2254	960	2	40
HR1800	1600	2504	960	2	40



	Product Code	MJ Input	kW Output
HR 600 Outdoor Heater	10708	595	136
HR 800 Outdoor Heater	10718	790	180
HR 1000 Outdoor Heater	10728	990	225
HR 1200 Outdoor Heater	10738	1190	270
HR 1400 Outdoor Heater	10748	1390	316
HR 1600 Outdoor Heater	10758	1585	361
HR 1800 Outdoor Heater	10768	1785	406
HR 600 Indoor Heater	10709	595	136
HR 800 Indoor Heater	10719	790	180
HR 1000 Indoor Heater	10729	990	225
HR 1200 Indoor Heater	10739	1190	270
HR 1400 Indoor Heater	10749	1390	316
HR 1600 Indoor Heater	10759	1585	361
HR 1800 Indoor Heater	10769	1785	406

Sample Spec HR Pool Heaters:

Pool Heater shall be a Hurlcon HR series model HR_____ rated at ____ kW output and ____ MJ input. The heat exchanger shall be of copper finned tube with one piece extruded integral fin. The tubes shall be mechanically expanded directly into bronze headers to prevent water leaks from silicone gaskets. Unit shall be standard with flow switch, run and fault contacts and pump run on timer. Burners shall be stainless steel with venturi design and mixing baffle to ensure even flame distribution along entire length of burner. Marine grade Powder coated panels shall be easily removable for servicing and burner removal. Boiler shall have integral outdoor weatherproof flue design for outdoor installation and integral draft diverter for indoor installation. Temperature control will be achieved by the integrated Genus IV thermostat which incorporates diagnostic fault display, flame roll out sensor and 45 degree over temperature high limit.