

## **BX HIGH PERFORMANCE PUMP - SINGLE PHASE**



### **Code**

### **Description**

	<b>BX High Performance Pump</b>	<b>3 Year Warranty</b>
11491	BX1.0 1.00HP Single Phase	
11492	BX1.5 1.50HP Single Phase	
11493	BX2.0 2.00HP Single Phase	
11494	BX3.0 3.00HP Single Phase	

# SPECIFICATIONS

## BX High Performance Pump - Single Phase

### Description:

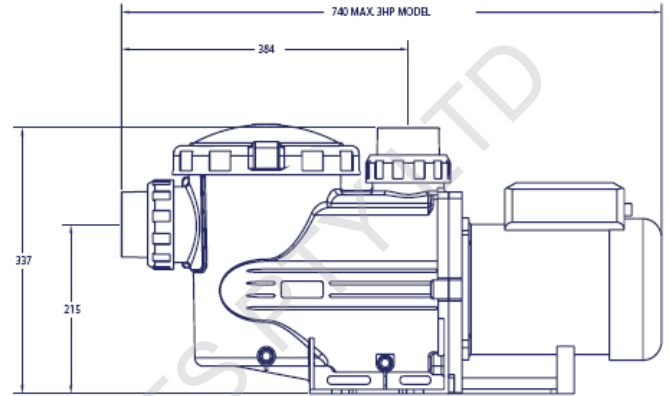
Astralpool Australia's premier high performance pump. Huge hair and lint bowl with 170mm wide and 230mm deep basket, 65mm and 50mm unions included and whisper quiet operation. Ramp on lid lock ring for easy removal and positive sealing. True carbon face mechanical seal. Suitable for demanding applications and commercial pools and spas.

### Ordering:

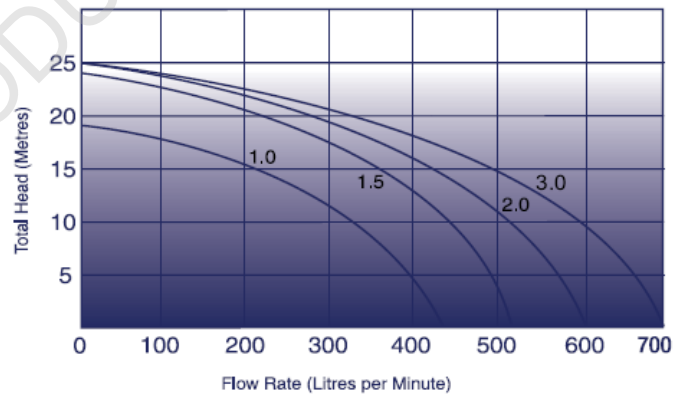
Please specify product number when ordering.

### Warranty Guide:

Limited three (3) year warranty on all components. Refer to instructions and website for full warranty details



Model	Voltage	Phase	Input	Full Load
BX1.0	240	Single	1300	5.5
BX1.5	240	Single	1640	6.6
BX2.0	240	Single	2020	8.5
BX3.0	240	Single	2300	12.5



Product Code	Flow Rate @ 8 m/h	Max Noise Level @ 1 mtr
--------------	-------------------	-------------------------

11491	325 lpm	60 dBA
11492	440 lpm	60 dBA
11493	540 lpm	62 dBA
11494	635 lpm	62 dBA

- BX 1.0 High Performance Pump
- BX 1.5 High Performance Pump
- BX 2.0 High Performance Pump
- BX 3.0 High Performance Pump