



BERLIN FILTER



Code

Description

Berlin Filter

00543-0100	Berlin Filter 750mm
00544	Berlin Filter 900mm
00545	Berlin Filter 1050mm
00546	Berlin Filter 1200mm

***2 Year Full Warranty plus
8 Year Pro Rate Warranty on tank,
12 months on internals***

SPECIFICATIONS

Berlin Filter 750mm – 1200mm

Description:

Fibreglass wound, with a dust-repellent coating, 400mm diameter injected lid fixed with S/S bolts. Complete with pressure gauge, manual air vent and water purge valves. Maximum operating pressure 250 kPa (2.5 bar). Test pressure: 375 kPa.

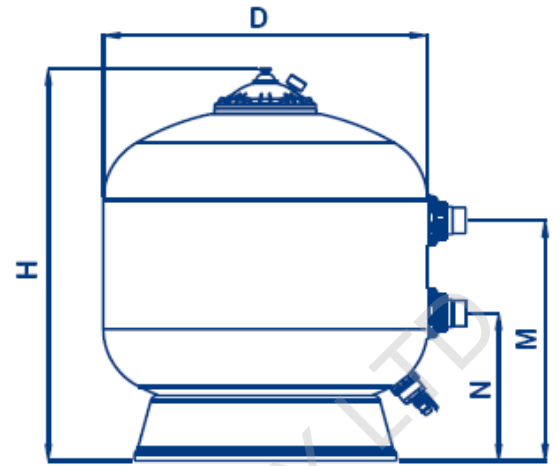
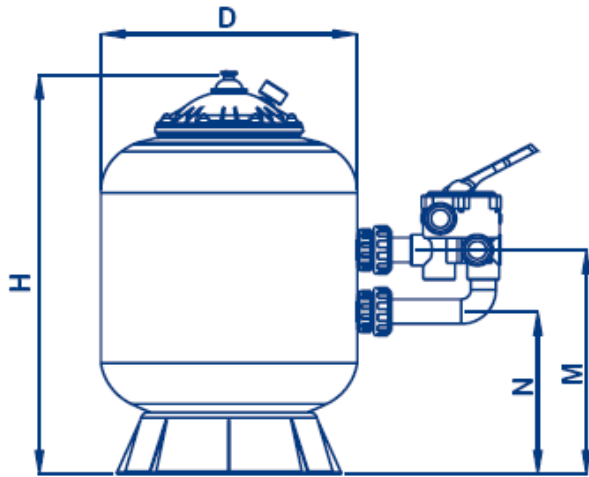
Ordering:

Multiport valve or valve manifold must be ordered separately.

Warranty Guide:

2 year full plus 8 year pro rate warranty on filter tank and 1 year full warranty on internal components, gauges and valves. Refer to instructions for full warranty details

	Product Code	Filter Area m2	Connections
Berlin filter 750mm - 20,000 LPH	00543-0100	0.50 m2	50mm
50mm Multiport Valve - Side Mount	17888		50mm
Berlin filter 900mm - 30,000 LPH	00544	0.60 m2	65mm
65mm Multiport Valve - Side Mount	24837		65mm
65mm Unions to suit 65mm MPV	02359		65mm
Berlin filter 1050mm - 43,000 LPH	00545	0.80 m2	65mm
65mm Multiport Valve - Side Mount	24837		65mm
65mm Unions to suit 65mm MPV	02359		65mm
Berlin filter 1200mm - 56,000 LPH	00546	1.13 m2	80mm
80mm Multiport Valve with connections	18515		80mm



	Side Mount Filter		
	00544	00545	00546
Ø D (mm)	900	1050	1200
H (mm)	1145	1300	1450
M (mm)	685	810	870
N (mm)	415	500	560
Connections	65mm	65mm	80mm
Flow m ³ /h	30	43	56
Approx. pool m ³	170-240	240-350	350-450
Sand, kg / Gravel	525	575/300	800/300
Net weight, kg	43.4	83	93
Package volume m ³	0.99	1.92	2.75