

ANCHORING FIXING WITH LOCKING BOLTS



Code

Description

00143

Anchoring Fixing with Locking Bolts

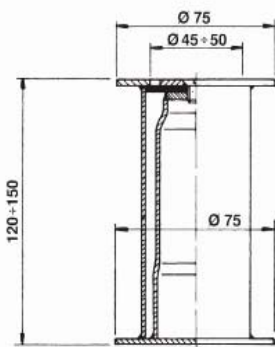
Anchoring Fixing with Locking Bolts

SPECIFICATIONS

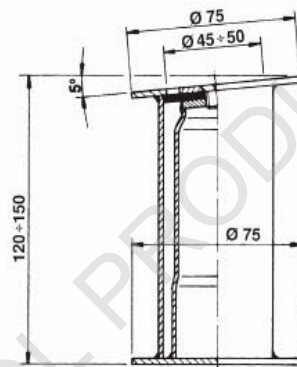
Anchoring Fixing with Locking Bolts

With screws. In S.S. AISI-316.

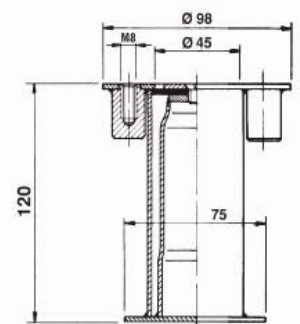
Product Code	Standard Packing	Standard Weight
00143	2	1.47



Code 00141
Code 19960



Code 00142
Code 19961



Code 00143