



**RAINBOW**  
**POOL PRODUCTS**  
Quality Pool & Spa Products

## BAIKAL C-3000 PUMP



**3 Year Warranty**

### Description:

Made in bronze. Stainless steel mechanical seal. IP-54 motor protection. Stainless Steel AISI- AISI-316 shaft. In built. S.S. AISI-304 strainer basket. Connections s/DIN 2501 PN16. 3000 rpm.

### Ordering:

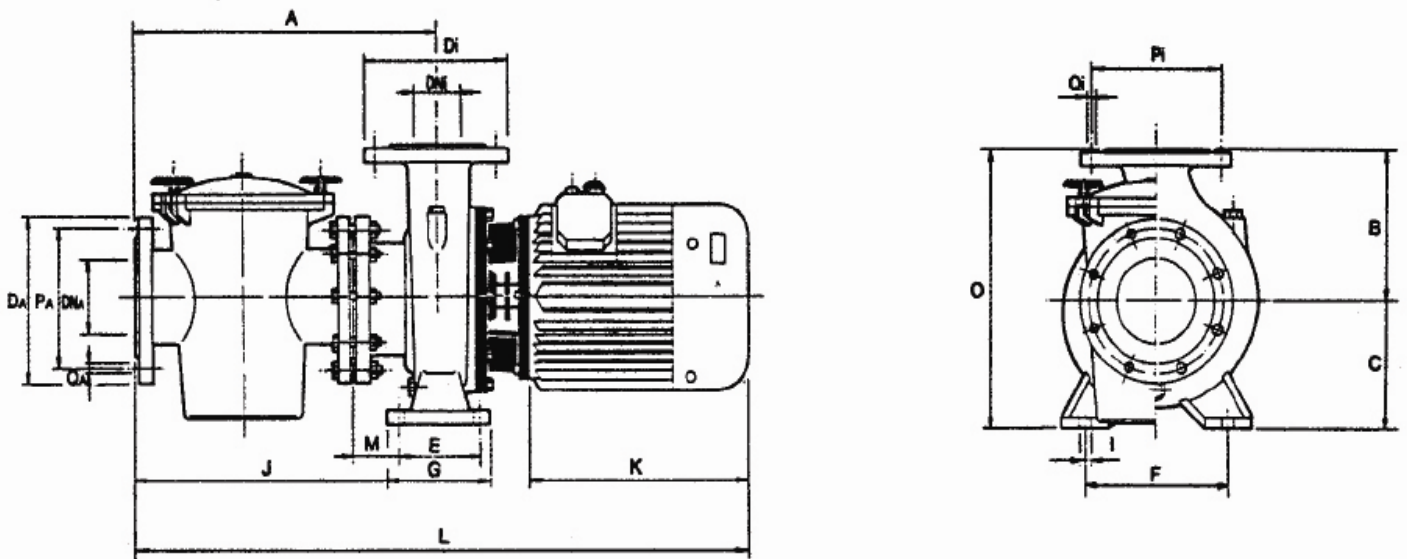
Please specify product number when ordering.

### Warranty guide:

Limited three (3) year warranty on all components. Refer to instructions for full warranty details

	Product Code	Flow Rate @ 10 m <sup>3</sup> /h	Horse Power
Baikal C-3000 - 90mm*	01242	1133	3.0
Baikal C-3000 - 90mm*	01244	1460	4.0
Baikal C-3000 - 90mm*	01246	1792	5.5
Baikal C-3000 - 110mm*	01248	1909	5.5
Baikal C-3000 - 110mm*	01250	2490	7.5
Baikal C-3000 - 110mm*	01252	3187	10.0
Baikal C-3000 - 140mm*	01254	3320	12.5
Baikal C-3000 - 140mm*	01256	3984	15.0

\* European Pipe Connections



Code	Power		Dimensions (mm)											
	kW	HP	A	B	C	E	F	G	I	J	K	L	M	O
01242	2.20	3	485	180	160	70	212	100	14	435	245	888	65	340
01244	2.95	4	485	180	160	70	212	100	14	435	245	888	65	340
01246	4	5.5	485	180	160	70	212	100	14	435	273	920	65	340
01248	4	5.5	487	205	160	95	187	125	14	425	273	940	55	365
01250	5.5	7.5	487	205	160	95	187	125	14	425	315	976	55	365
01252	7.5	10	487	205	160	95	187	125	14	425	315	976	55	365
01254	8.7	12.5	487	205	160	95	187	125	14	425	355	1,016	55	365
01256	11.04	15	517	233	181	95	187	125	14	455	355	1,029	70	

Code	Voltage V	Current in Amps.		Power		Suction Connection					Discharge Connection				
		III 230 V	III 400 V	kW	HP	DA (mm)	DNa	PA (mm)	QA		Di (mm)	Dni	Pi (mm)	Qi	
									No	Ø (mm)				No	Ø (mm)
■	230/400	9	5.2	2.20	3	200	80-3"	160	8	18	200	80-3"	160	8	18
■	230/400	12	7	2.95	4	200	80-3"	160	8	18	200	80-3"	160	8	18
01244	400/690	-	7												
■	230/400	16	9.1	4	5.5	200	80-3"	160	8	18	200	80-3"	160	8	18
01246	400/690	-	9.1												
■	230/400	16	9.1	4	5.5	220	100-4"	180	8	18	220	100-4"	180	8	18
01248	400/690	-	9.1												
■	230/400	19	11	5.5	7.5	220	100-4"	180	8	18	220	100-4"	180	8	18
01250	400/690	-	11												
■	230/400	26	15	7.5	10	220	100-4"	180	8	18	220	100-4"	180	8	18
01252	400/690	-	15												
■	230/400	39	22	8.7	12.5	250	125-5"	210	8	18	220	100-4"	210	8	18
01254	400/690	-	22												
■	230/400	39	22.5	11.04	15	250	125-5"	210	8	18	250	125-5"	210	8	18
01256	400/690	-	22.5												