



ARAL C-1500 PUMP



3 Year Warranty

Description:

Made in cast iron. Mechanical seal in stainless steel AISI-42 shaft. With stainless steel AISI-316 strainer basket. Connections PN 16, according to DIN 2501. 1,450 rpm. Description indicates Suction Inlet Size and Discharge Outlet Size.

Ordering:

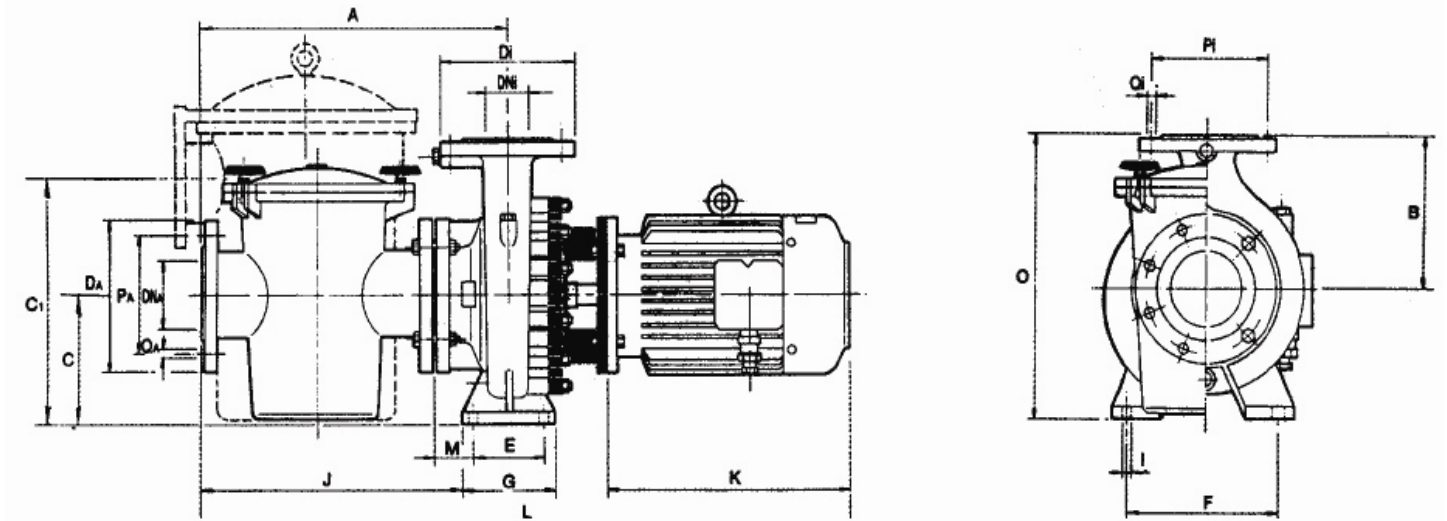
Please specify product number when ordering.

Warranty guide:

Limited three (3) year warranty on all components. Refer to instructions for full warranty details

	Product Code	Flow Rate @ 10 m ³ /h	Horse Power
Aral C-1500 - 90mm/75mm*	01210	1133	4.0
Aral C-1500 - 90mm/75mm*	01212	1460	5.5
Aral C-1500 - 90mm/75mm*	01214	1792	7.5
Aral C-1500 - 110mm/90mm*	01216	1909	7.5
Aral C-1500 - 110mm/90mm*	01218	2490	10.0
Aral C-1500 - 140mm/110mm*	01220	3187	12.5
Aral C-1500 - 140mm/110mm*	01222	3320	15.0
Aral C-1500 - 160mm/140mm*	01224	3984	20.0
Aral C-1500 - 160mm/140mm*	01226	4565	25.0
Aral C-1500 - 90mm/75mm-no strainer*	01210-0890	1133	4.0
Aral C-1500 - 90mm/75mm-no strainer*	01212-0890	1460	5.5
Aral C-1500 - 90mm/75mm-no strainer*	01214-0890	1792	7.5
Aral C-1500 - 110mm/90mm-no strainer*	01216-0890	1909	7.5
Aral C-1500 - 110mm/90mm-no strainer*	01218-0890	2490	10.0
Aral C-1500 - 140mm/110mm-no strainer*	01220-0890	3187	12.5
Aral C-1500 - 140mm/110mm-no strainer*	01222-0890	3320	15.0
Aral C-1500 - 160mm/140mm-no strainer*	01224-0890	3984	20.0
Aral C-1500 - 160mm/140mm-no strainer*	01226-0890	4565	25.0

* European Pipe Connections



Code	Power		Dimensions (in mm)												
	kW	HP	A	B	C	C1	E	F	G	I	J	K	L	M	O
01208	2.20	3	482	200	160	-	70	212	100	14	432	270	880	94	360
01210	2.95	4	482	225	180	-	95	250	125	14	419	310	880	50	405
01212	4	5.5	484	253	196	-	120	280	162	18	403	333	967	34	449
01214	7.5	7.5	484	253	196	-	120	280	162	18	403	410	1,044	39	449
01216	7.5	7.5	514	282	193	-	120	315	162	18	433	410	1,072	69	486
01218	7.5	10	514	282	193	-	120	315	162	18	433	450	1,112	69	486
01220	9.20	12.5	522	280	224	-	120	315	162	18	441	450	1,128	77	504
01222	11	15	522	280	224	-	120	315	162	18	441	490	1,188	77	504
01224	* 15	20	747	356	225	507	120	315	158	18	668	520	1,438	87	611
01226	*18.40	25	747	356	225	507	120	315	158	18	668	555	1,473	87	611

Code	Voltage V	Current in Amps.		Power		Suction Connections					Discharge Connections				
		III 230 V	III 400 V	kW	HP	D _A (mm)	DN _A	P _A (mm)	QA		Di (mm)	Dni	Pi (mm)	Qi	
									No	Ø (mm)				No	Ø (mm)
■	230/400	9.8	5.7	2.20	3	185	65-2½"	145	8	18	165	50-2"	125	4	18
■	230/400	12.1	7	3	4	200	80-3"	160	8	18	185	65-2½"	145	4	18
01210	400/690	-	7												
■	230/400	17	9.7	4	5.5	200	80-3"	160	8	18	185	65-2½"	145	4	18
01212	400/690	-	9.7												
■	230/400	21.3	12.3	5.5	7.5	200	80-3"	160	8	18	185	65-2½"	145	4	18
01214	400/690	-	12.3												
■	230/400	21.3	12.3	5.5	7.5	220	100-4"	180	8	18	200	80-3"	160	8	18
01216	400/690	-	12.3												
■	230/400	28.4	16.4	7.5	10	220	100-4"	180	8	18	200	80-3"	160	8	18
01218	400/690	-	16.4												
■	230/400	32.9	19	9.20	12.5	250	125-5"	210	8	18	220	100-4"	180	8	18
01220	400/690	-	19												
■	230/400	42	24	11	15	250	125-5"	210	8	18	220	100-4"	180	8	18
01222	400/690	-	24												
■	230/400	53.7	32	15	20	285	150-6"	240	8	22	250	125-5"	210	8	18
* 01224	400/690	-	32												
■	230/400	67.5	39	18.40	25	285	150-6"	240	8	22	250	125-5"	210	8	18
* 01226	400/690	-	39												