

Jandy Deck Jet Installation Instructions

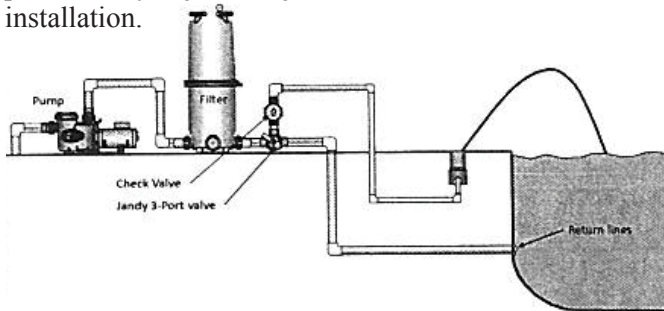
⚠ WARNING

FOR YOUR SAFETY: This product must be installed and serviced by a professional pool/spa service technician. The procedures in this manual must be followed exactly. Improper installation and/or operation will void the warranty.

This document gives instructions for installing the Jandy Deck Jet. The instructions must be followed exactly. Read through the instructions completely before starting the procedure.

The Jandy Deck Jet is designed to be installed in the deck surrounding the pool/spa or pond. The Jandy Deck Jet includes a 5/16", 360° rotating jet that assures accurate stream placement. The 2½" diameter body is designed for installation in concrete decks, pavers or garden areas. Two drain holes are incorporated into the body to eliminate standing water.

An attractive bronze deck plate is also included. The advantage of the Jandy Deck Jet is its versatile, all plastic, fully adjustable jet, low flow, and ease of installation.



1. Determine proper feed pipe size for multiple jet setups. Refer to both Table 1 and Figure 1.

Table 1. Multiple Jet Setup

Number of Deck Jets at rate of 5 GPM (gallons per minute)	Recommended Pipe Size within 25' of equipment			
	A	B	C	D
2	1½"	1"	¾"	1½"
3	1½"	1"	¾"	1½"
4	1½"	1½"	¾"	1½"
5	1½"	1½"	¾"	1½"
6	2"	1½"	¾"	2"

NOTE A Jandy 3-Port Valve should be installed on the main feed line near the pump for the adjustment of total water pressure to all Deck Jets (see Figure 1).

2. Refer to Table 2 to view the water volume and pressure specifications for one Deck Jet.

Table 2. Water/Pressure Specifications

Gallons (US GPM)	3.0	4.0	5.0
Feet of Head	3.9	7.9	11.0
Height of Jet	3.0	6.6	10.0

Jandy Deck Jet:

- . Polished Bronze Cover Plate
- . Fully Adjustable nozzle, 360°
- . Packaged in a set of 4

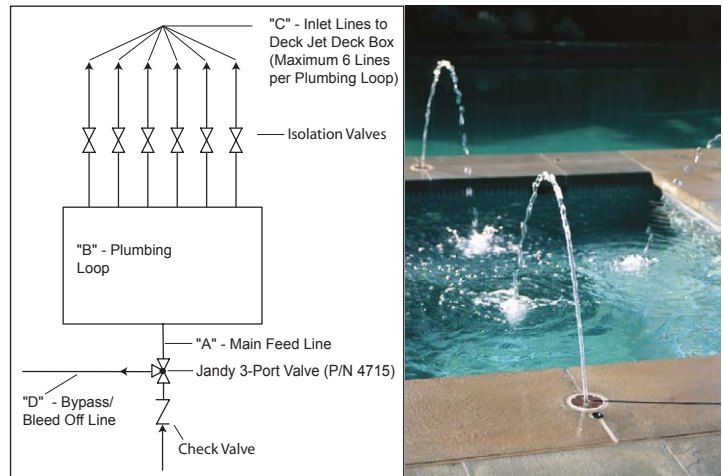


Figure 1. Multiple Jet Plumbing Diagram

3. From the main feed line, reduce to ¾" piping for each Deck Jet (see Figure 1). Either provide individual valves for each jet, or create an equal pressure loop to equalize pressure in the line.
4. The Jet Body has an opening on the side to allow for a ¾", 90° PVC elbow and still sit level on the ground. Cut the desired length of ¾" PVC pipe (see Figure 2). Glue the cut pipe length into the 90° elbow.

NOTE Use PVC/ABS glue only to install the 90° elbow into the bottom of the Deck Jet Body.

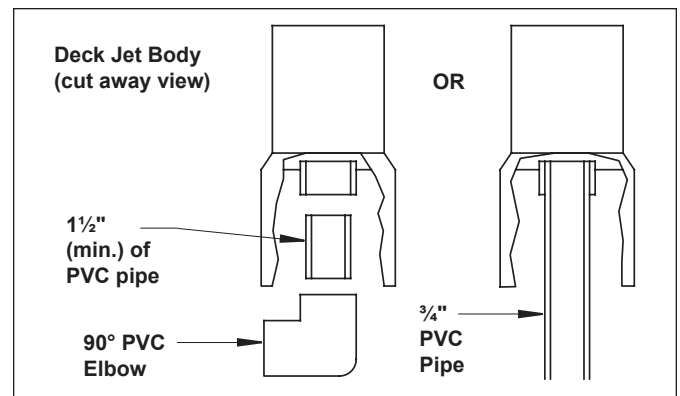


Figure 2. 90° Elbow Installation

- Anchor the Deck Jet Body (include the protective cover) so that it will be level **and** at the same height as the finished deck (see Figure 3).

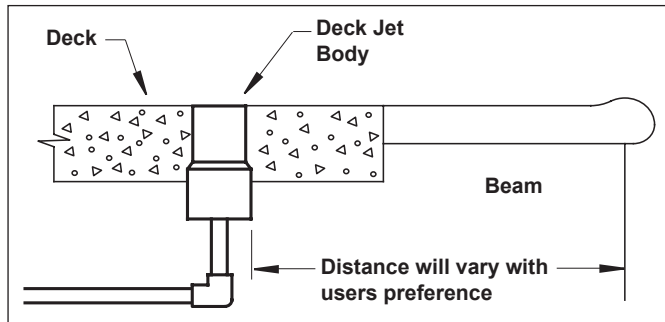


Figure 3. Deck Jet Location

- Remove the Deck Jet cover. Wrap teflon tape around the pressure plug threads and thread into the Deck Jet body (see Figure 4). Use a 15/16" box end wrench to tighten. **DO NOT overtighten.** Replace the Deck Jet cover.

NOTE Leave the plug installed and the pipe pressurized throughout the installation.

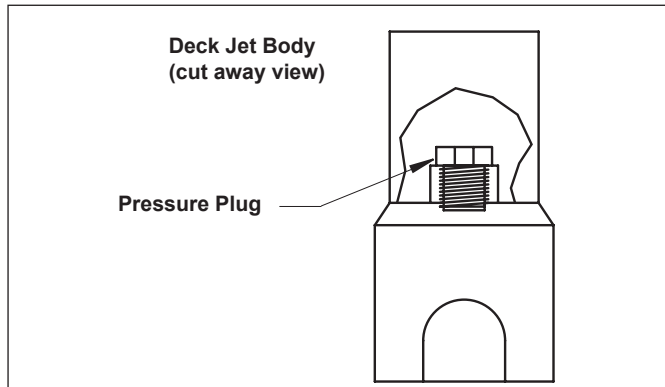


Figure 4. Install Pressure Plug

- After the deck is finished**, peel the protective label from the Deck Jet Cover. Remove the Deck Jet Cover and the pressure plug. Turn on the pump, open the necessary valves and run water through all lines to flush out debris.
- Wrap teflon tape around the Jet Swivel Base threads and install into the Deck Jet Body, using a 7/8", box-end wrench. Tighten the Jet Swivel Base until it is fully seated (see Figure 5).

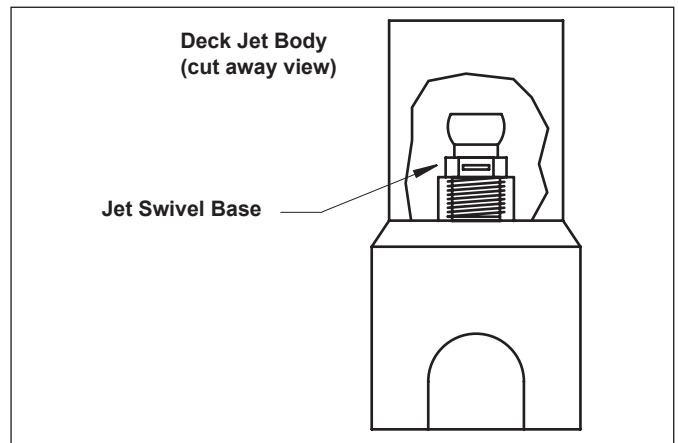


Figure 5. Jet Swivel Base Installation

- Place the Jet onto the Jet Swivel Base. Push, by hand, until the Jet snaps over the Jet Swivel Base. (it may be easier to lean the Jet to one side of the Deck Jet Body and push). **DO NOT use any tools to install the Jet** (see Figure 6).

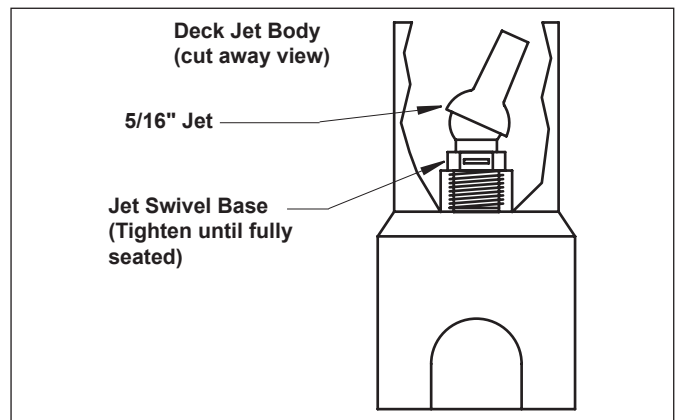


Figure 6. Snap Jet Onto Jet Swivel Base

- Start the pump and adjust the appropriate valves as necessary to create the desired water effect.
- If the stream of water is disrupted, remove the Deck Jet Cover, Jet and Jet Swivel Base. Check to see if there is any debris blocking the Jet. Replace if necessary.
- To winterize, remove the Jet and Jet Swivel Base. Blow the lines with air and install the Pressure Plug.

Table 3. Parts List

Description	Qty.
Deck Jet Body	1
Jet	1
Jet Swivel Base	1
Pressure Plug	1
Cover w/Protective Label	1



Rainbow Pool Products

PO Box 2388, Mansfield Qld 4122
 Telephone STD 61-7-3849 5385
 Facsimile STD 61-7-3849 5384
 Email: info@rainbowpoolproducts.com.au
 Web: www.rainbowpoolproducts.com.au