

Splash!™ Series



This fixed lifting system is designed for swimming facilities seeking to provide user-friendly access to their swimming pools.

- Third-party tested & verified compliant with U.S. ADA guidelines
- 400 lb/181.5 kg lifting capacity*
- LiftOperator® Intelligent Control includes a 24 Volt rechargeable battery
- 344° rotation helps ensure a safe transfer area
- Powder-coated stainless steel and aluminum construction



* Lifting capacity of the Extended Reach model is 300 lb/136 kg

Lift Colour



Due to printing technology actual colour may differ.

Splash! variations include:

- Extended Reach – For use on pools with unusual gutter configurations requiring a longer reach

Cover



A completed Deck Profile form is required with your pool lift order.

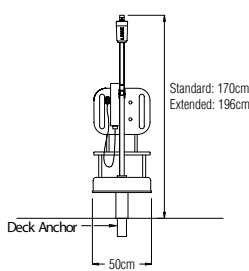
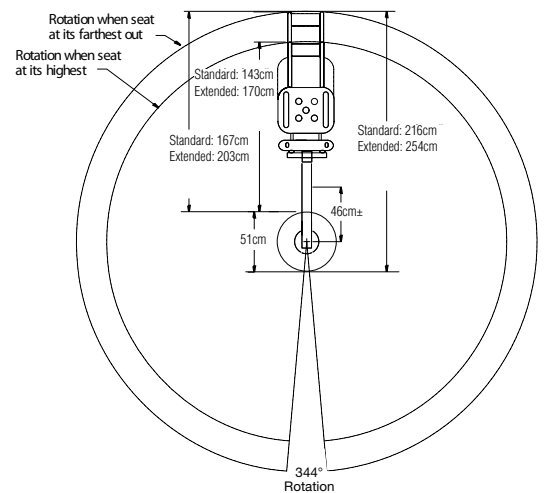
Model No.	Description	Shipping – (Class 85)			
		Weight	Length	Width	Height
300-0000EU	Splash!	124kg	102cm	122cm	191cm
370-0000EU	Splash! Extended Reach	127kg	102cm	122cm	191cm

Notes:

- Includes battery, charger, battery console cover, water-resistant hand control, stainless steel anchor socket with cover, footrest and seat belt assembly, caddy and armrests

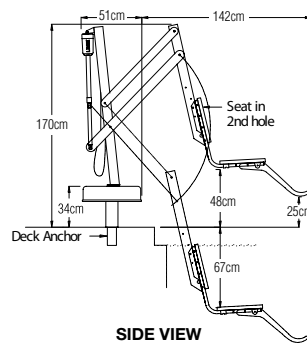
Parts & Accessories:

- 920-5000 Splash! Cover
- 300-6200L Locking Anchor & Cap
- 1001495 Battery

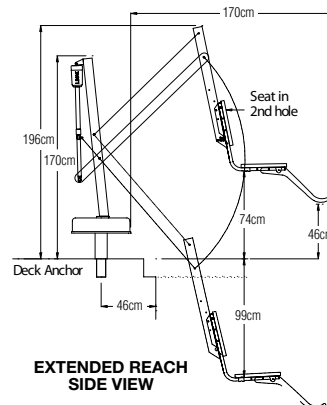


BACK VIEW

Seat is 46cm wide



SIDE VIEW



EXTENDED REACH SIDE VIEW



Rainbow Pool Products

PO Box 2388, Mansfield Qld 4122

Telephone STD 61-7-3849 5385

Facsimile STD 61-7-3849 5384

Email: info@rainbowpoolproducts.com.au

Web: www.rainbowpoolproducts.com.au