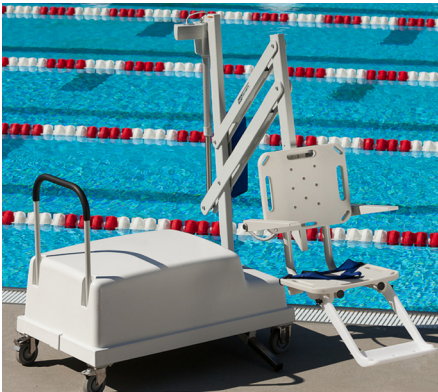


PAL2



The fixed portable PAL2 pool lift features a sleek, modern design and attractive matte finish.

- Third-party tested and verified compliant with U.S. ADA guidelines
- 300 lb/136 kg lifting capacity
- Easy to move by one person
- LiftOperator® Intelligent Controller conveniently located on the mast – includes 24 Volt rechargeable battery
- 240° rotation helps ensure safe transfer
- Powder-coated stainless steel and aluminum construction



* LiftOperator is easily secured to the mast using the star wrenches provided in the accessory kit. Refer to the owner's manual at www.srsmith.com for more details.

Lift Colour



Due to printing technology actual colour may differ.

Cover



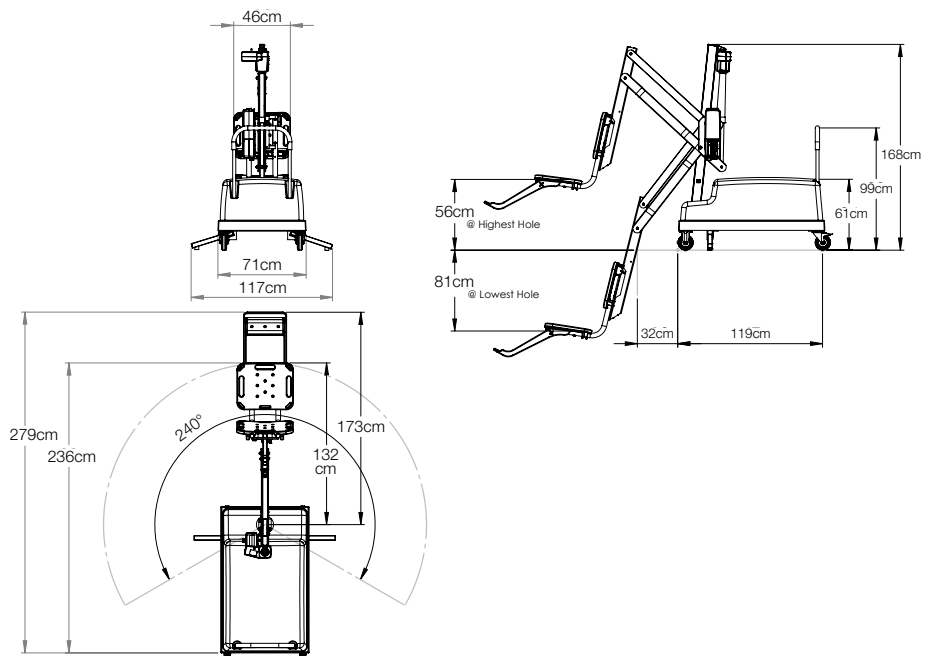
Model No.	Description	Shipping – (Class 85)			
		Weight	Length	Width	Height
202-0000EU	PAL2	547kg	102cm	126cm	145cm

Notes:

- Includes battery, charger, battery console cover, water-resistant hand control, footrest, seatbelt assembly, caddy, and armrests

Parts & Accessories:

- 920-5000 PAL Series Cover
- 1001495 Battery



A completed Deck Profile form is required with your pool lift order.



Rainbow Pool Products

PO Box 2388, Mansfield Qld 4122

Telephone STD 61-7-3849 5385

Facsimile STD 61-7-3849 5384

Email: info@rainbowpoolproducts.com.au

Web: www.rainbowpoolproducts.com.au