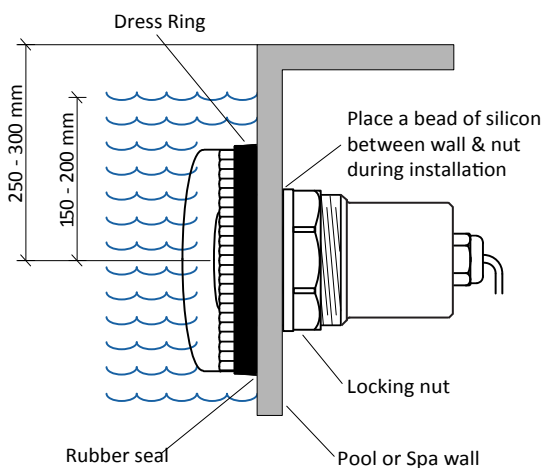


POWERITE DIMENSIONAL DETAILS ON THE PAL UNDERWATER LIGHTING SYSTEM

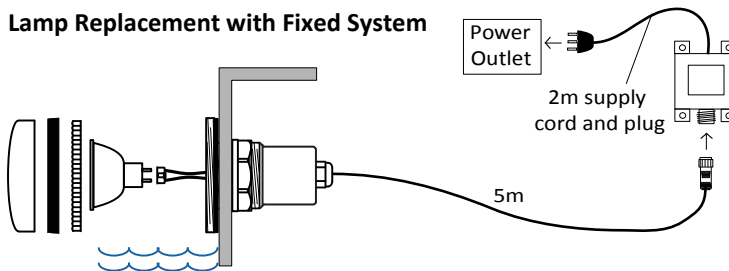
INSTALLATION INSTRUCTIONS FOR FIXED PAL-2SP FITTING IN FIBREGLASS SPA'S

- Step 1.** Locate the position for mounting the PAL-2SP fitting to obtain the best light spread in the spa and if possible on the opposite wall to the jets. The fitting should be placed 150mm to 200mm below the water level or 250mm to 300mm below the top of the spa.
- Step 2.** Drill a 55mm mounting hole (50mm to 58mm) at the selected location. After the hole is cut out, clean the area around the hole to remove rough spots and dust.
- Step 3.** Fit the PAL fitting in the hole ensuring the rubber seal is fitted between the back of fitting and the spa wall as shown in the diagram. Place a bead of silicon between the nut and the wall then tighten up the nut firmly.
- Step 4.** Plug in the transformer to the selected GPO. Ensure the GPO and transformer is installed to comply with AS3000.

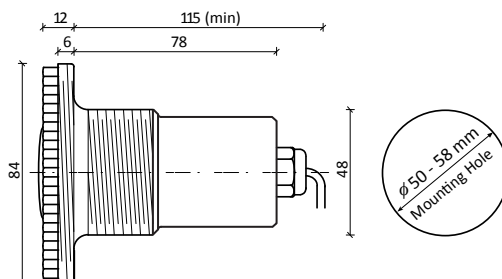
Assembly Details



Lamp Replacement with Fixed System



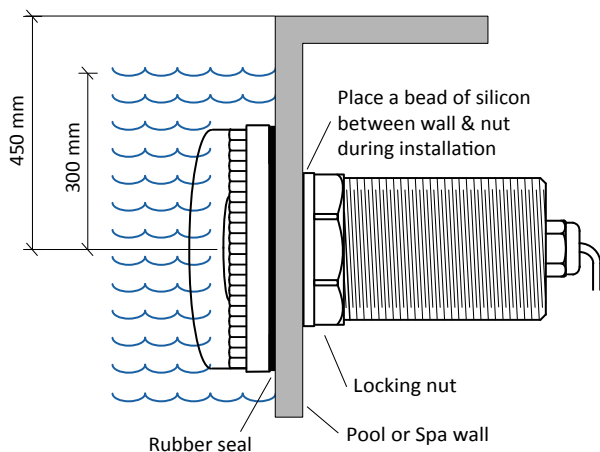
Dimensional Details



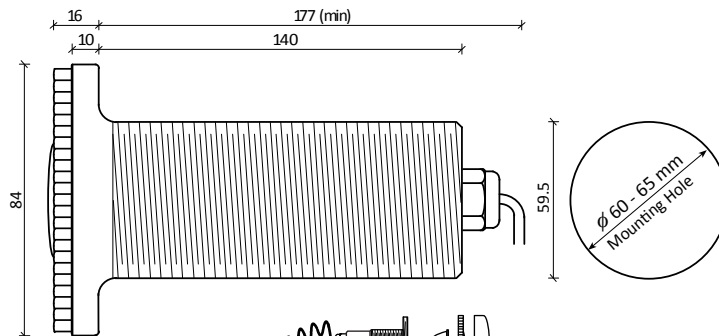
INSTALLATION INSTRUCTIONS FOR PAL-2R RETRACTABLE FITTING IN FIBREGLASS POOL'S/SPA'S OR ABOVE GROUND POOLS

- Step 1.** Locate the position for mounting the PAL-2R fitting at the centre of one end of the pool or the centre of both ends if required. If the pool is an irregular shape the fitting should be located in a position to obtain the best light spread in the pool. The fitting should be placed 300mm below the water level or 450mm below the top of the pool to enable the retractable part of the fitting to be taken out of the pool if the lamp in the PAL has to be replaced.
- Step 2.** Drill a 60mm mounting hole (60mm to 65mm) at the selected location. After the hole is cut out, clean the area around the hole to remove rough spots and dust.
- Step 3.** Fit the PAL fitting in the hole ensuring the rubber seal is fitted at the between the back of fitting and the pool/spa wall as shown in the diagram. Place a bead of silicon between the nut and the wall then tighten up the nut firmly.
- Step 4.** The PAL Transformer is IP64 and can be mounted in the pool zone. Find a suitable position to mount the transformer ensuring it is a minimum of 1.2m above the maximum water level and the transformer must be installed to comply with AS3000.

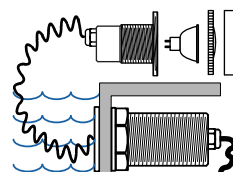
Assembly Details



Dimensional Details



Extraction System Details

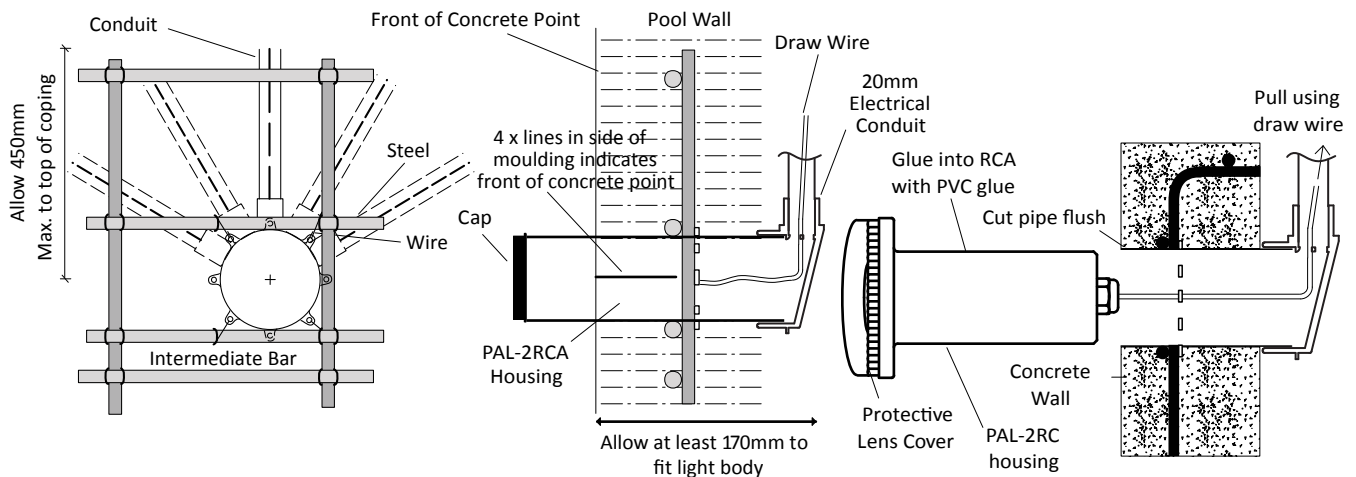


All prices subject to 10% GST which is not included. Prices subject to change without notice.

POWERITE DIMENSIONAL DETAILS ON THE PAL UNDERWATER LIGHTING SYSTEM

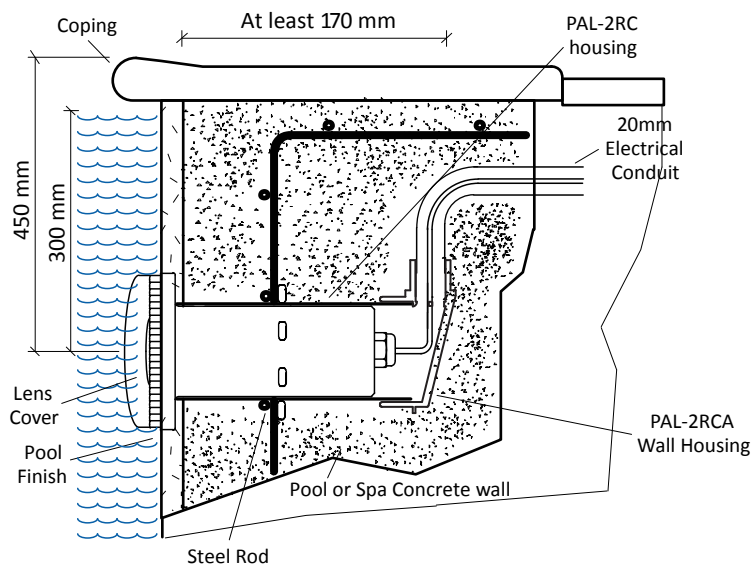
INSTALLATION INSTRUCTIONS FOR PAL-2RC RETRACTABLE FITTING IN CONCRETE POOL'S & SPA'S USING THE PAL-2RCA WALL FITTING

- Step 1. Locate the position for mounting the PAL fitting at the centre of one end of the pool or the centre of both ends if required. If the pool is an irregular shape the fitting should be located in a position to obtain the best light spread in the pool. The fitting should be placed 300mm below the water level or 450mm below the top of the pool to enable the retractable part of the fitting to be taken out of the pool if the lamp in the PAL has to be replaced.
- Step 2. Adjust the mounting plate on the PAL-2RCA Assembly and fit into the selected position in the steel using wire to secure the adjustable mounting plate into place. Ensure the PAL-2RCA assembly is level, square and flush with pool concrete wall. Fit 20mm Conduit & draw wire to assembly as shown below.
- Step 3. After blowing the wall and concrete is set, trim the pipe down to flush with the wall as shown below.
- Step 4. Before the pool finish is applied the PAL-2RC should be glued into the PAL-2RCA assembly using PVC glue to seal and locate the fitting into position.
- Step 5. With the fitting in position in the Concrete Wall the Pool Finish can be applied up to the front face of the fitting as shown on the assembly drawing. Note: The disposable Lens Cover fitted to the PAL-2RC will protect the fitting while the finish is being applied. The protective lens cover is replaced by the normal lens cover supplied with the PAL-2RC when the pool is ready to be filled with water.
- Step 6. The PAL Transformer is IP64 and can be mounted in the pool zone. Find a suitable position to mount the transformer ensuring it is a minimum of 1.2m above the maximum water level and the transformer must be installed to comply with AS3000.

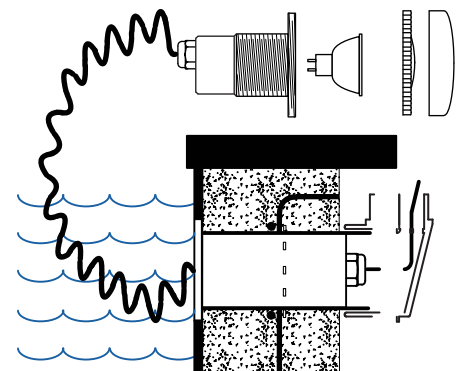


Ensure the PAL-2RCA assembly is square, level and flush with pool concrete wall.

Assembly Details



Extraction System Details



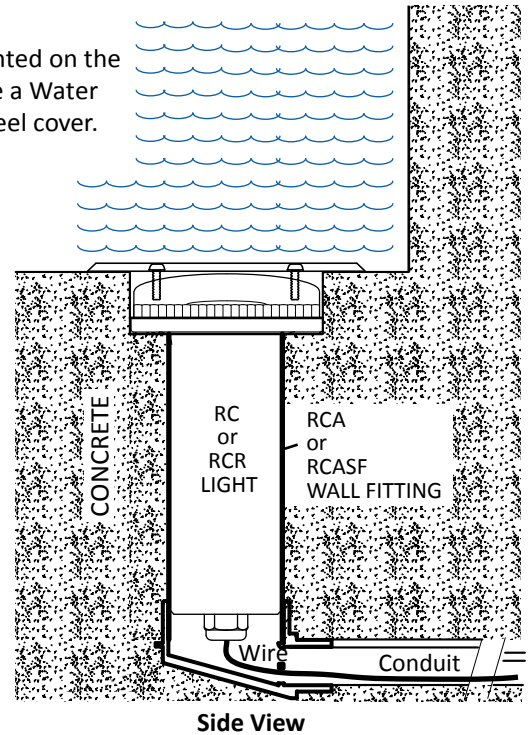
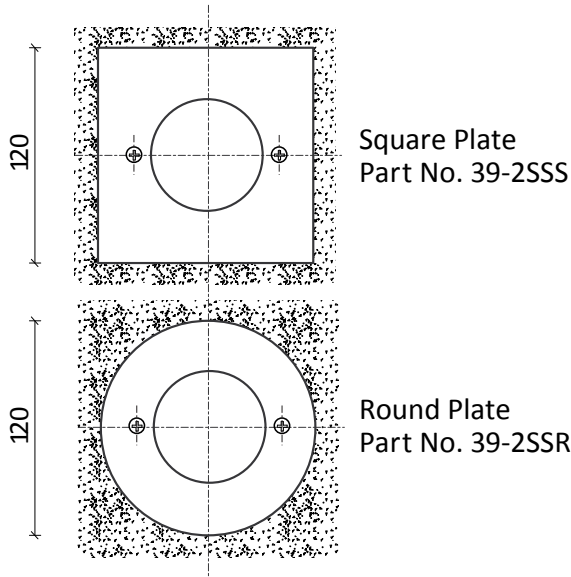
All prices subject to 10% GST which is not included. Prices subject to change without notice.

POWERITE DIMENSIONAL DETAILS ON THE PAL UNDERWATER LIGHTING SYSTEM

INSTALLATION INSTRUCTIONS FOR FLUSH MOUNTED UNDERWATER LIGHT USING RC & RCR RETRACTABLE FITTINGS

Flush Mounted Underwater Light

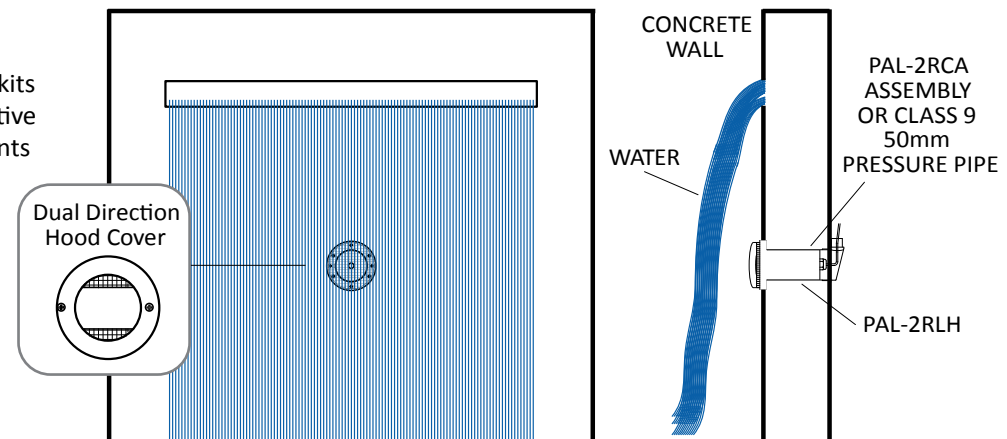
The PAL-RC and RCR Concrete Underwater Pool Light can be Flush Mounted on the seat or ledge of a Pool or Spa to provide a lighting highlight or illuminate a Water Feature using a standard pool light fitted with the 316 grade stainless steel cover.



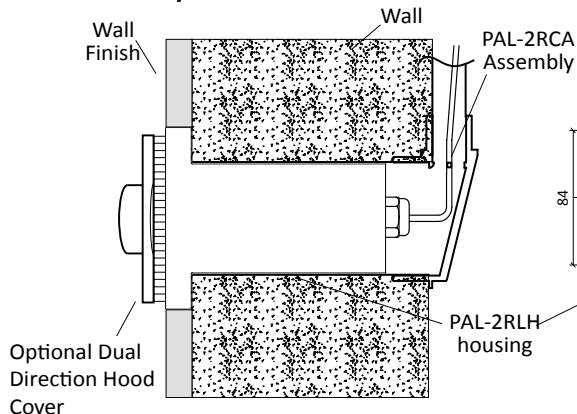
INSTALLATION INSTRUCTIONS FOR SHEER DESCENT LIGHT KIT

Sheer Descent Light Kits

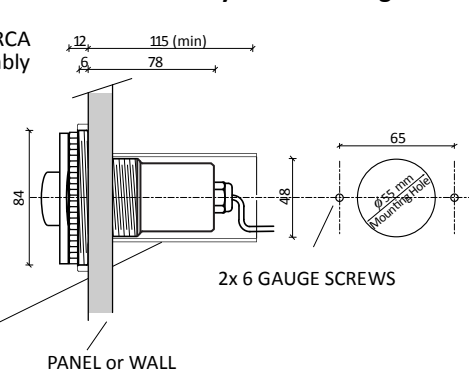
The PAL Sheer Descent Light kits provide a low cost very effective way to highlight Sheer Descents and Water Features with a Colour change lighting effect and the light assembly can be mounted in or out of the water. Descents larger than 900mm more than one light may be required.



Final Assembly Detail - Concrete



Final Assembly Detail - Fibreglass



All prices subject to 10% GST which is not included. Prices subject to change without notice.